

**1 Earth points**

- ◆ ⇒ [“1.1 Earth points in front part of vehicle”, page 1](#)
- ◆ ⇒ [“1.2 Earth points in middle part of vehicle”, page 13](#)
- ◆ ⇒ [“1.3 Earth points in rear part of vehicle”, page 17](#)

**1.1 Earth points in front part of vehicle**

- ◆ ⇒ [“1.1.1 Earth point on left in engine compartment“, page 2](#)
- ◆ ⇒ [“1.1.2 Earth point in centre of engine compartment”, page 3](#)
- ◆ ⇒ [p1.1.3 oint on right headlight”, page 4](#)
- ◆ ⇒ [p1.1.4 oint 1 and 3 on front of left longitudinal member”, page 5](#)
- ◆ ⇒ [p1.1.5 oint 2 on front of left longitudinal member”, page 6](#)
- ◆ ⇒ [p1.1.6 oint 4 on front of left longitudinal member”, page 7](#)
- ◆ ⇒ [p1.1.7 oint 1 on front of right longitudinal member”, page 8](#)
- ◆ ⇒ [“1.1.8 1.0l petrol engine”, page 9](#)
- ◆ ⇒ [“1.1.9 1.2l petrol engine”, page 10](#)
- ◆ ⇒ [“1.1.10 1.4l petrol engine”, page 11](#)
- ◆ ⇒ [“1.1.11 1.5l petrol engine”, page 12](#)
- ◆ ⇒ [“1.1.12 2.0l petrol engine”, page 13](#)

Variants of earth points	Chapter	Comment
15 Earth point on cylinder head	⇒ <a href="#">“1.1.8 1.0l petrol engine”, page 9</a>	
15 Earth point on cylinder head	⇒ <a href="#">“1.1.9 1.2l petrol engine”, page 10</a>	
15 Earth point on cylinder head	⇒ <a href="#">“1.1.10 1.4l petrol engine”, page 11</a>	
50 Earth point on left in luggage compartment	⇒ <a href="#">p1.3.7 oint on left in luggage compartment (4-door)”, page 25</a>	
50 Earth point on left in luggage compartment	⇒ <a href="#">“1.3.10 Earth point on left in luggage compartment (cabriolet)”, page 28</a>	
51 Earth point, on right in luggage compartment	⇒ <a href="#">p1.3.8 oint on right in luggage compartment (4-door)”, page 26</a>	
51 Earth point, on right in luggage compartment	⇒ <a href="#">p1.3.11 oint on right in luggage compartment (cabriolet)”, page 29</a>	

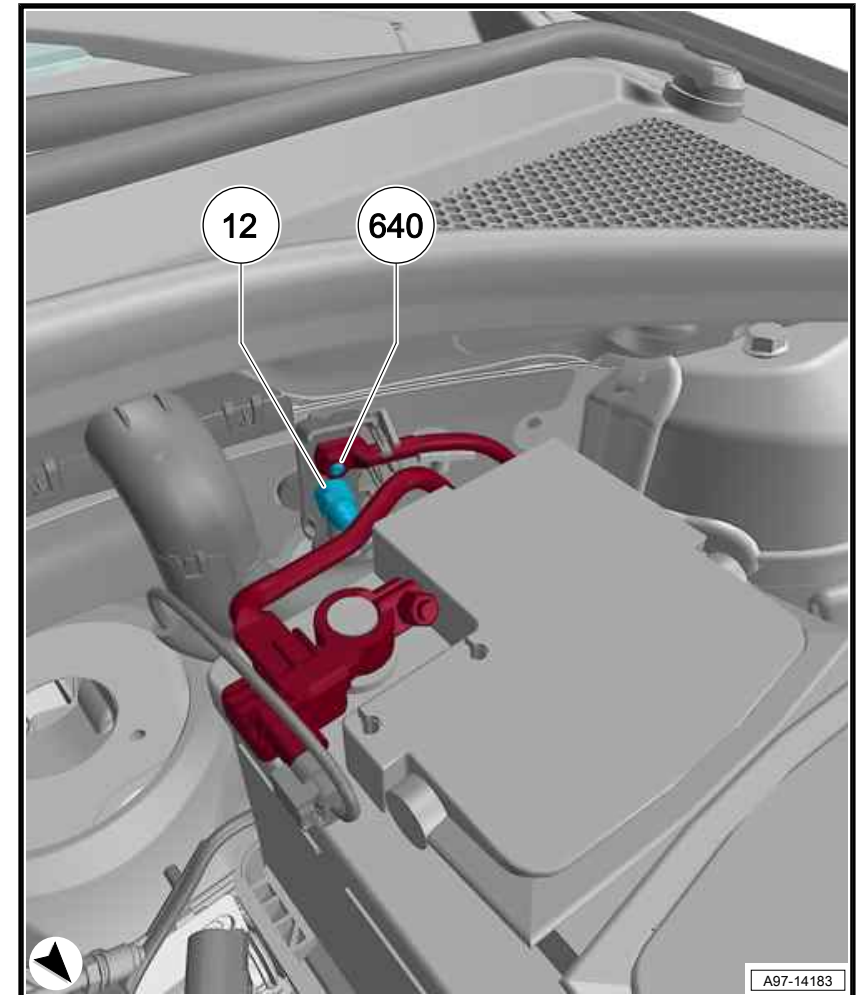
### 1.1.1 Earth point, on left in engine compartment

12 - Earth point, on left in engine compartment

Specified torque 20 Nm

640 - Earth point 2, left in engine compartment

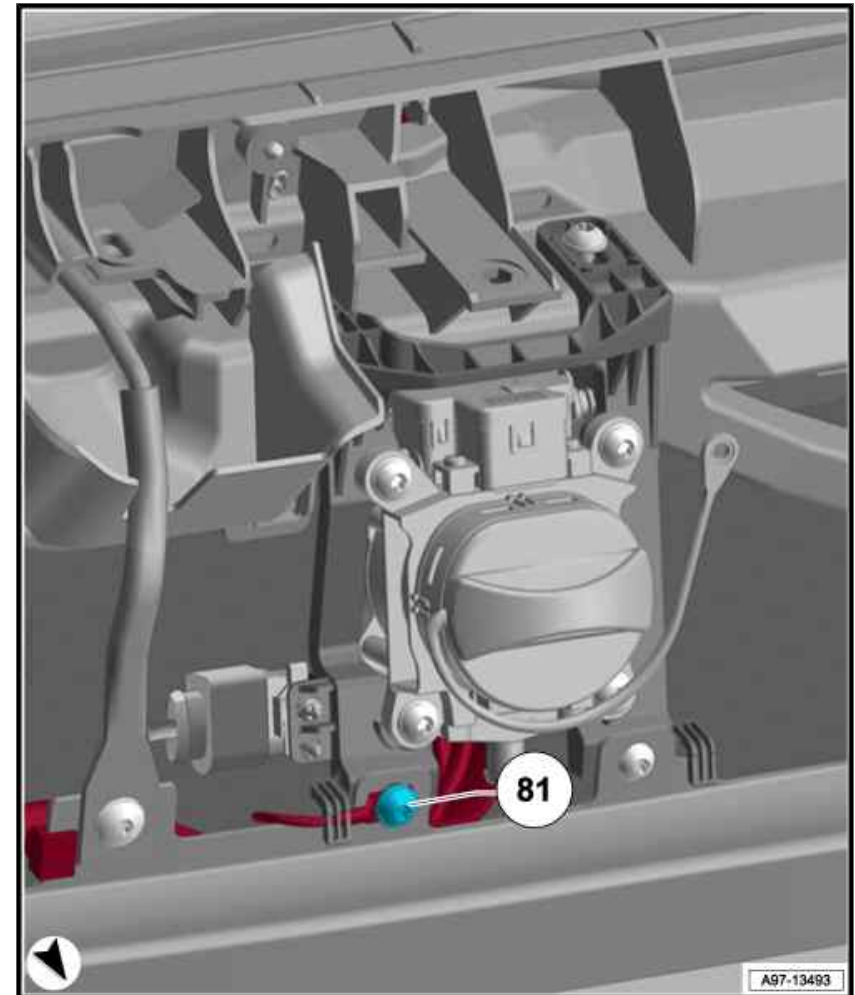
Specified torque 9 Nm



1.1.2 Earth point in centre of engine compartment

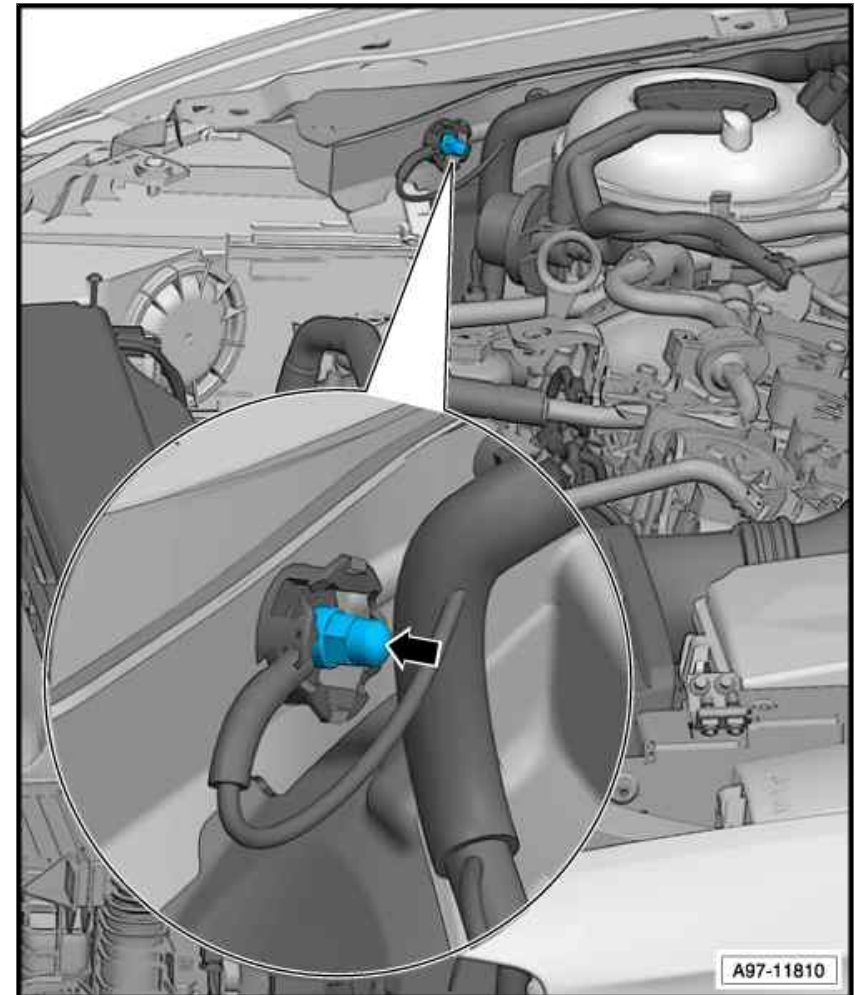
81 - Earth point in centre of engine compartment

Specified torque 2 Nm



1.1.3 Earth point, on right headlight

656 - Earth point on right headlight -arrow-  
Specified torque 9 Nm



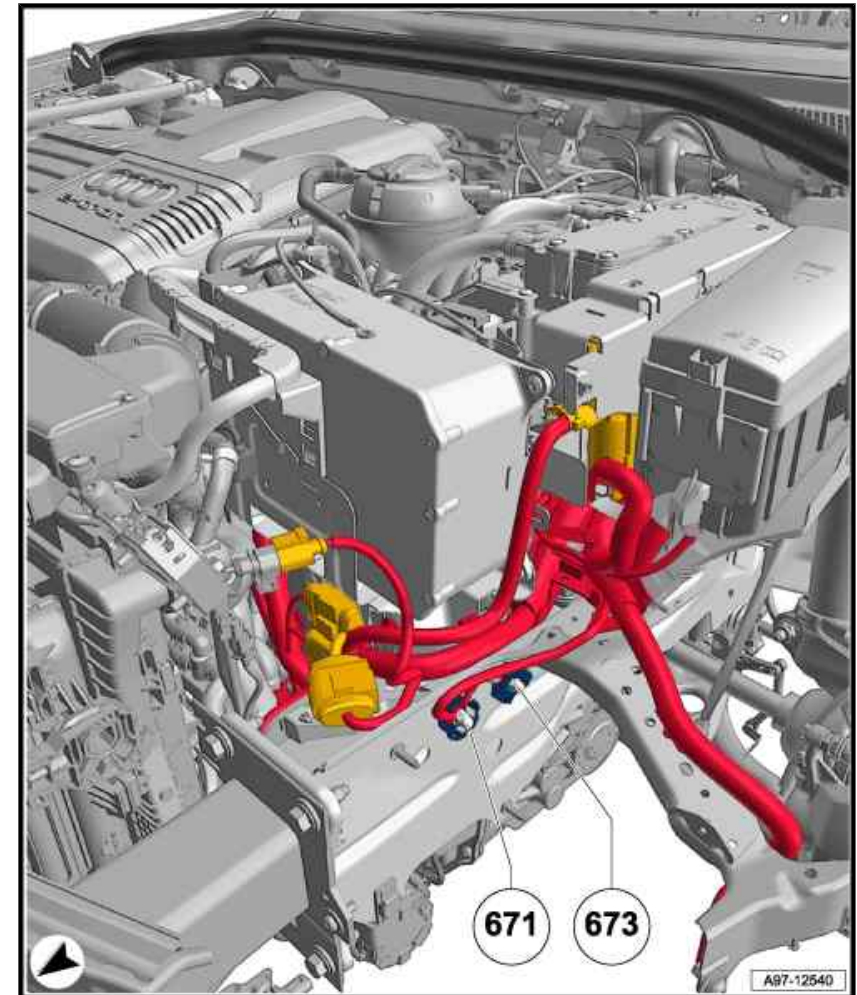
**1.1.4 Earth point 1 and 3 on front of left longitudinal member**

671 - Earth point 1, on front of left longitudinal member

Specified torque 9 Nm

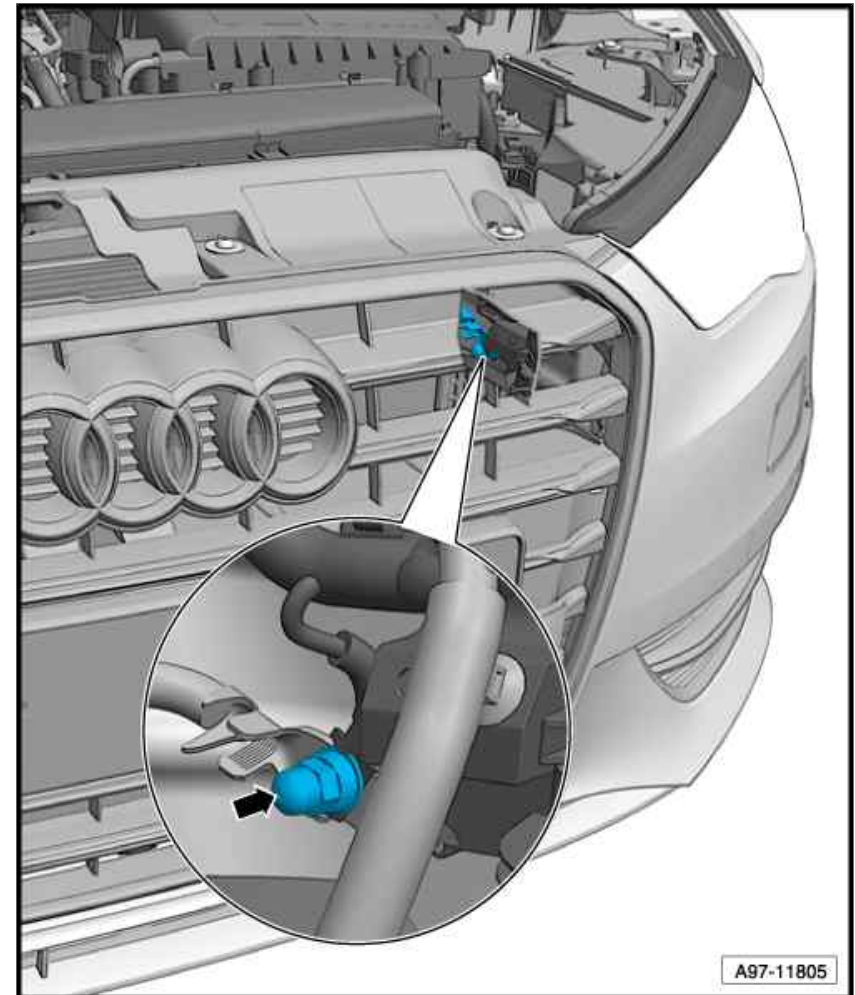
673 - Earth point 3, on front of left longitudinal member

Specified torque 9 Nm



1.1.5 Earth point 2, on front of left longitudinal member

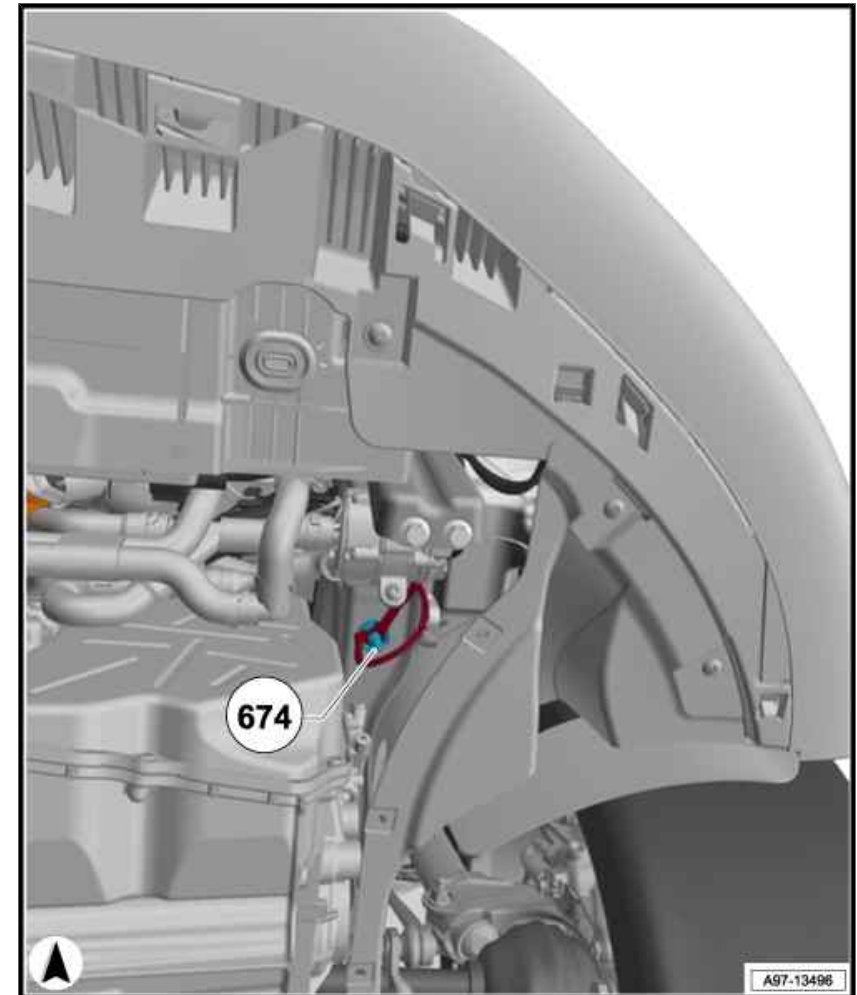
672 - Earth point 2, on front left longitudinal member -Arrow-  
Specified torque 20 Nm



1.1.6 Earth point 4, on front of left longitudinal member

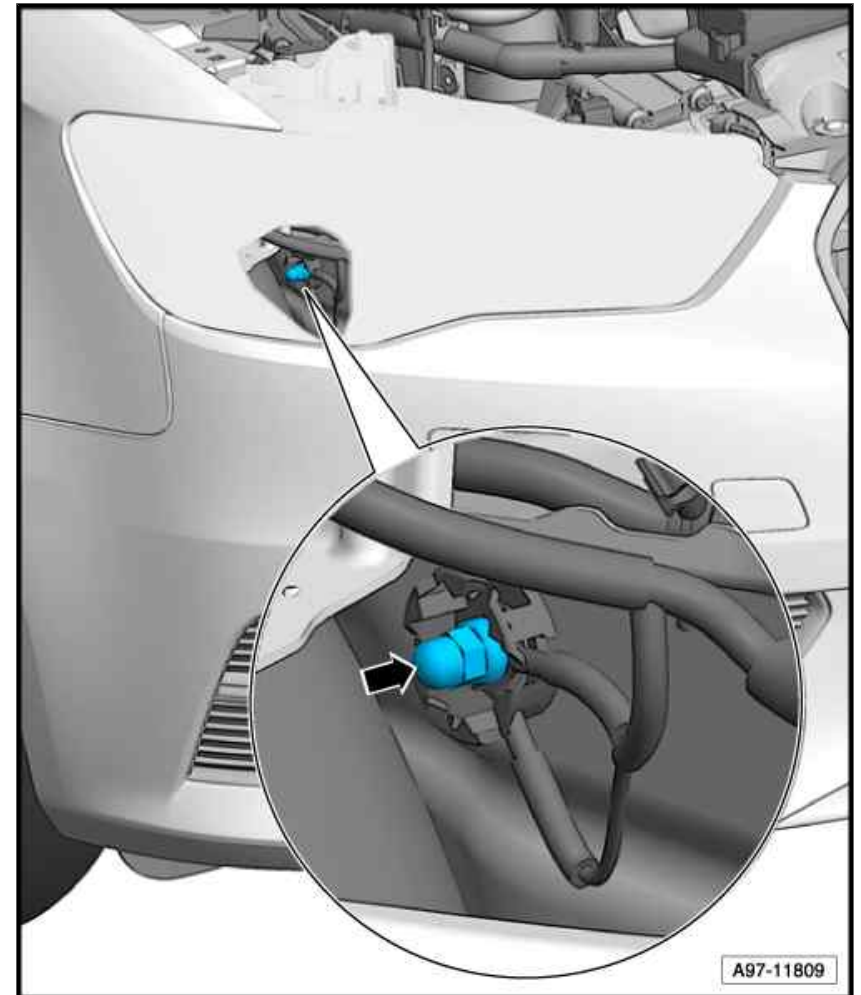
674 - Earth point 4, on front of left longitudinal member

Specified torque 9 Nm



1.1.7 Earth point 1, on front of right longitudinal member

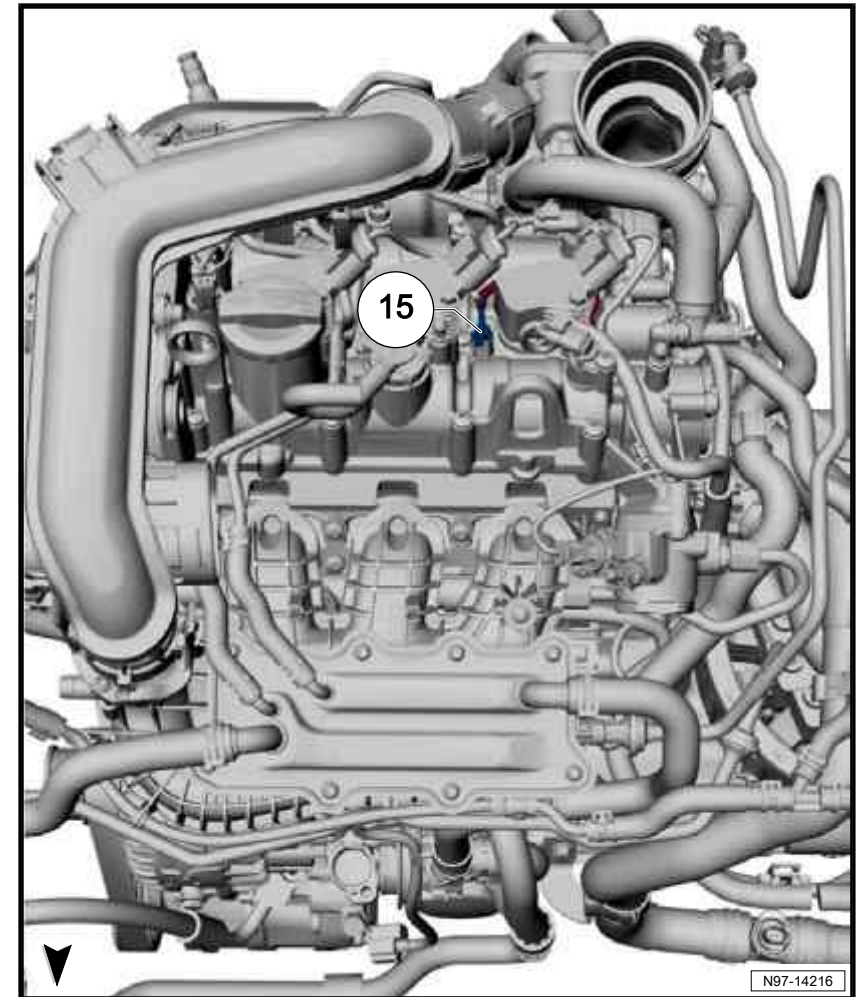
685 - Earth point 1, on front right longitudinal member -Arrow-  
Specified torque 9 Nm



1.1.8 1.0l petrol engine

15 - Earth point, on cylinder head

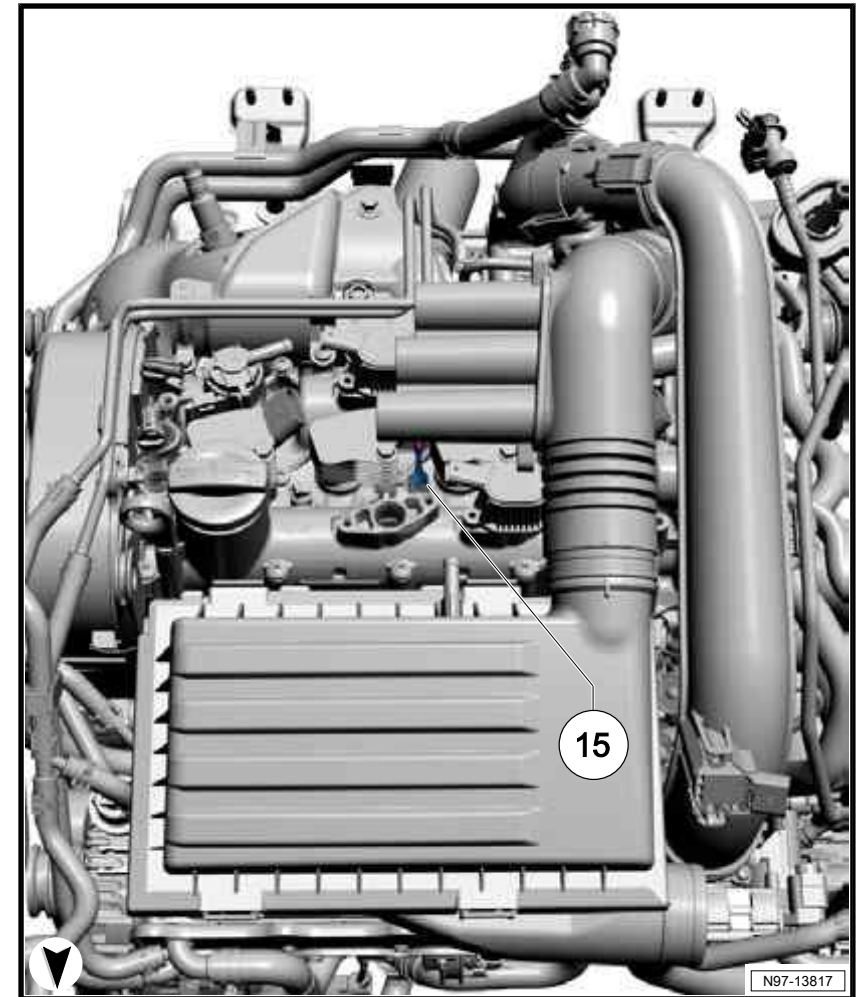
- Specified torque 9 Nm



1.1.9 1.2l petrol engine

15 - Earth point, on cylinder head

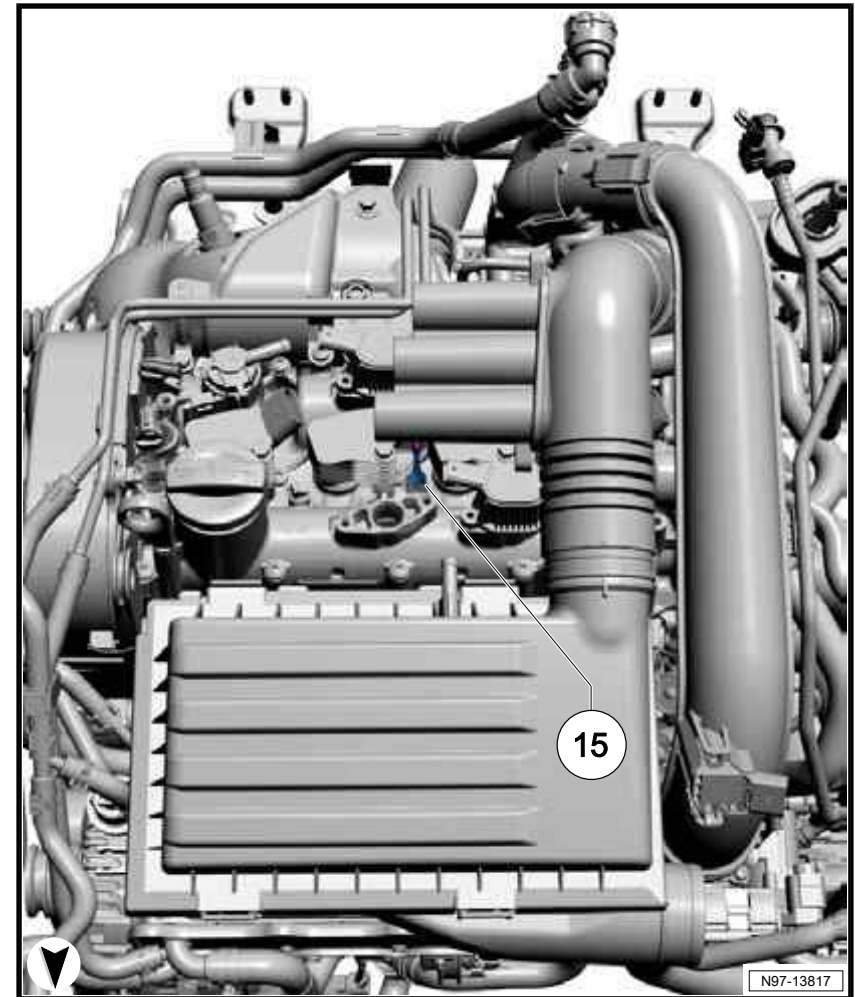
- Specified torque 9 Nm



1.1.10 1.4l petrol engine

15 - Earth point, on cylinder head

- Specified torque 9 Nm



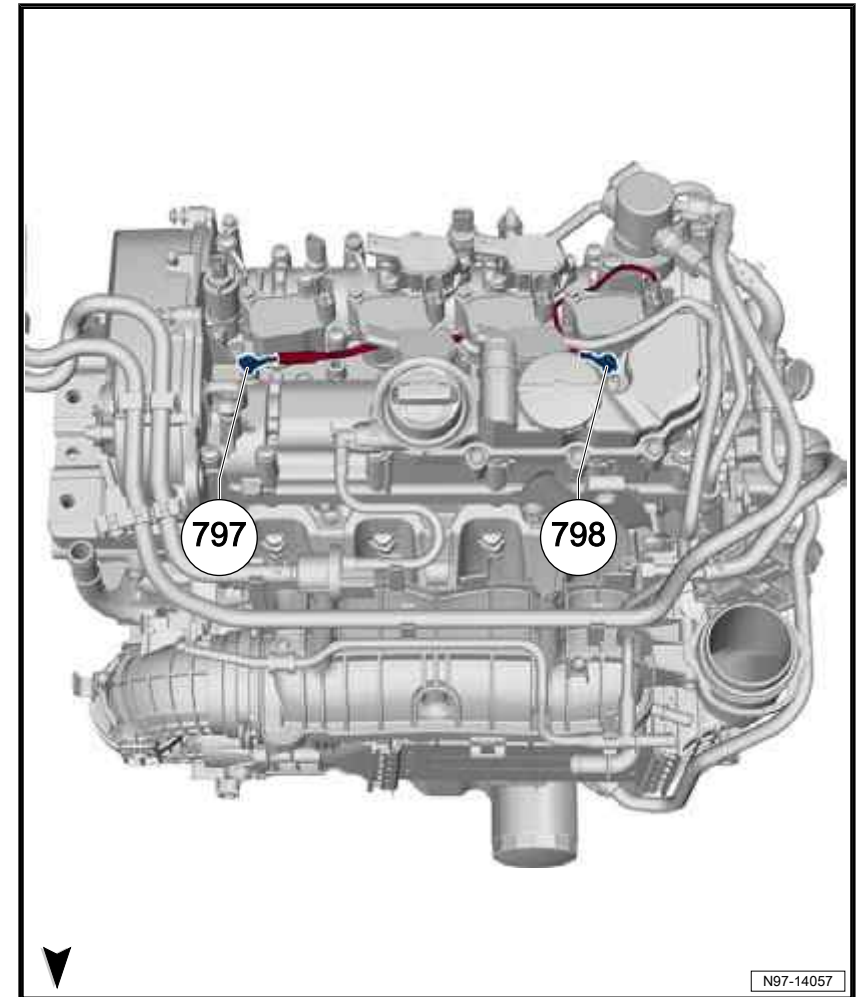
1.1.11 1.5l petrol engine

797 - Earth point on cylinder block for ignition coil, cylinders 1 and 2

- Specified torque 9 Nm

798 - Earth point on cylinder block for ignition coil, cylinders 3 and 4

- Specified torque 9 Nm



1.1.12 2.0l petrol engine

846 - Earth point on ignition coil 1

- Specified torque 9 Nm

847 - Earth point on ignition coil 2

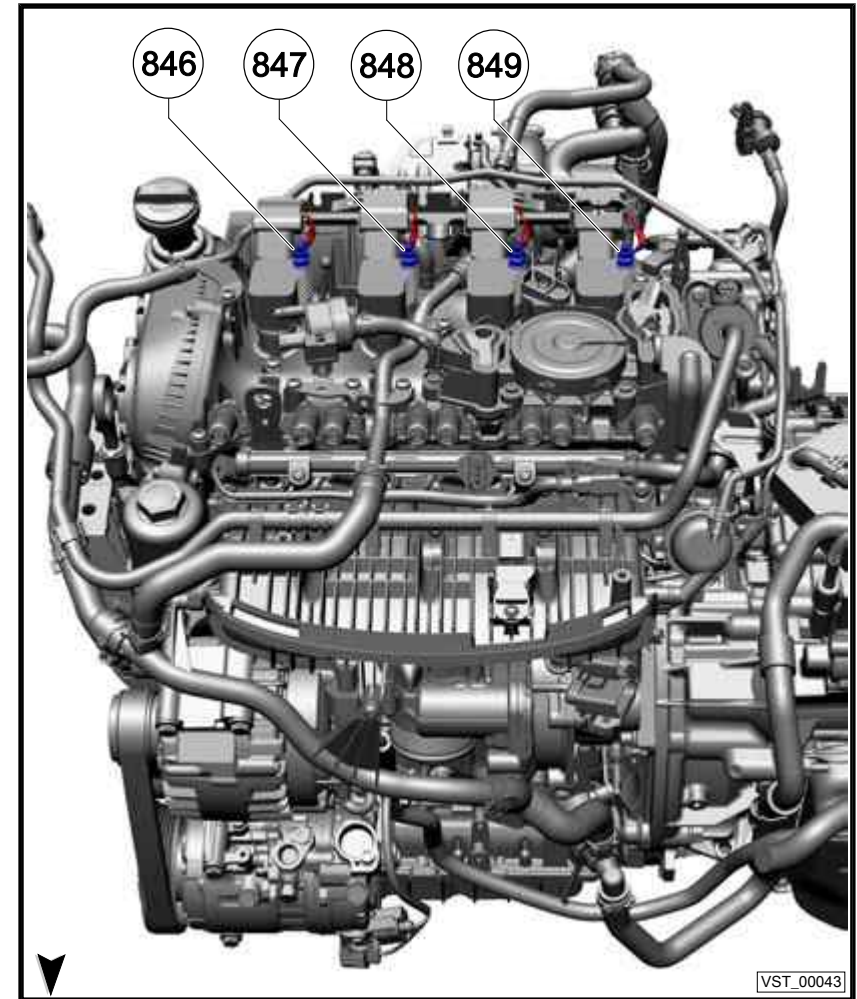
- Specified torque 9 Nm

848 - Earth point on ignition coil 3

- Specified torque 9 Nm

849 - Earth point on ignition coil 4

- Specified torque 9 Nm



1.2 Earth points in middle part of vehicle

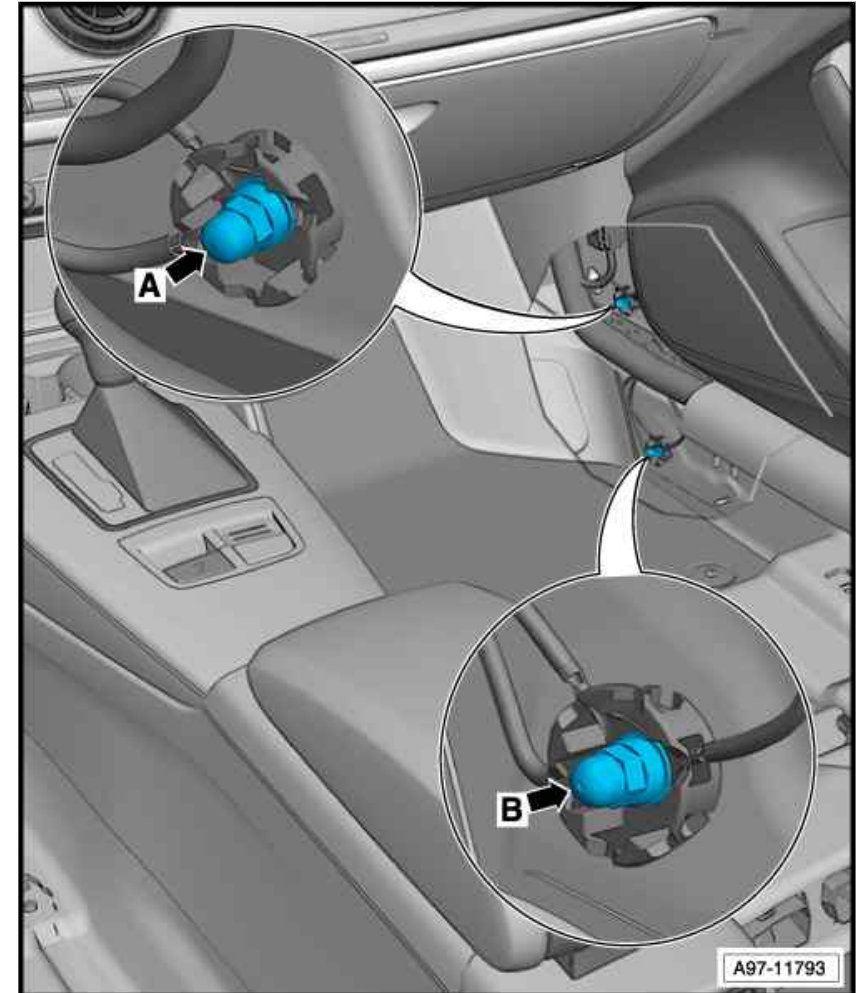
- ◆ [⇒ p1.2.1 oint on right A-pillar”, page 14](#)
- ◆ [⇒ p1.2.2 oints on front of left longitudinal member”, page 15](#)

- ◆ ⇒ [p1.2.3 oint 1 on centre tunnel", page 16](#)
- ◆ ⇒ [p1.2.4 oint on rear right of underbody", page 17](#)

### 1.2.1 Earth points on right A-pillar

751 - Earth point 2 on right A-pillar -arrow A-  
Specified torque 9 Nm

638 - Earth point on right A-pillar -arrow B-  
Specified torque 9 Nm



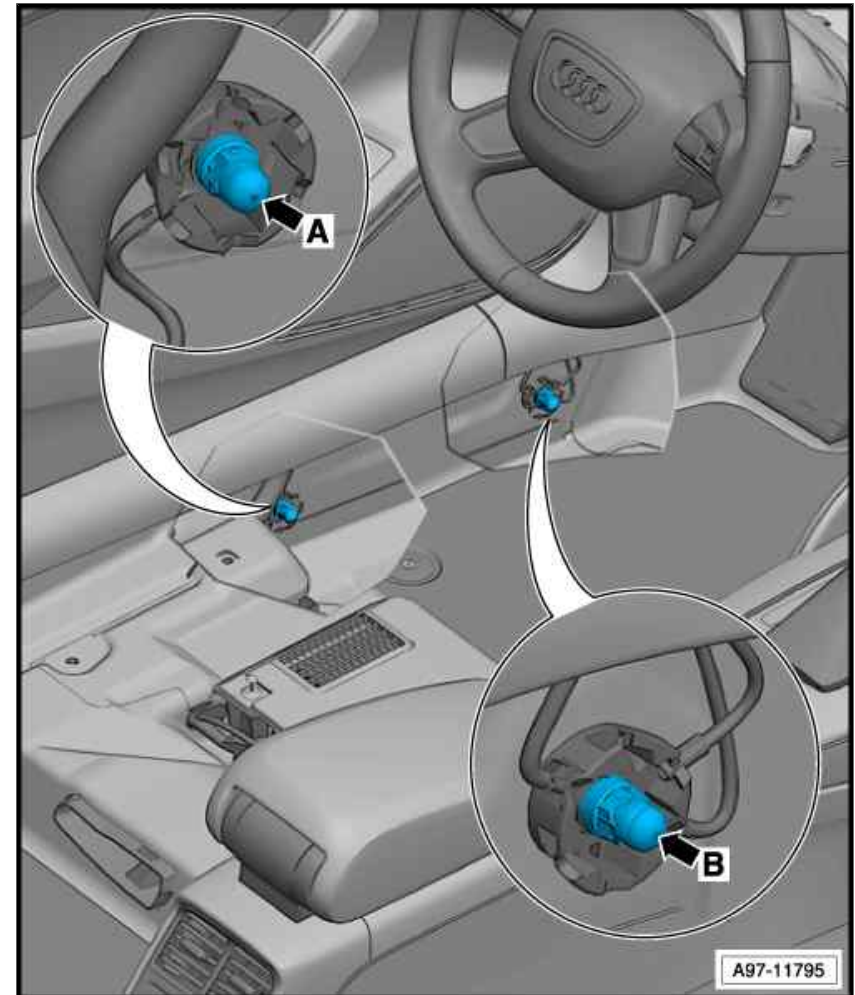
1.2.2 Earth points on front of left longitudinal member

684 - Earth point at front of left side member -arrow A-

Specified torque 9 Nm

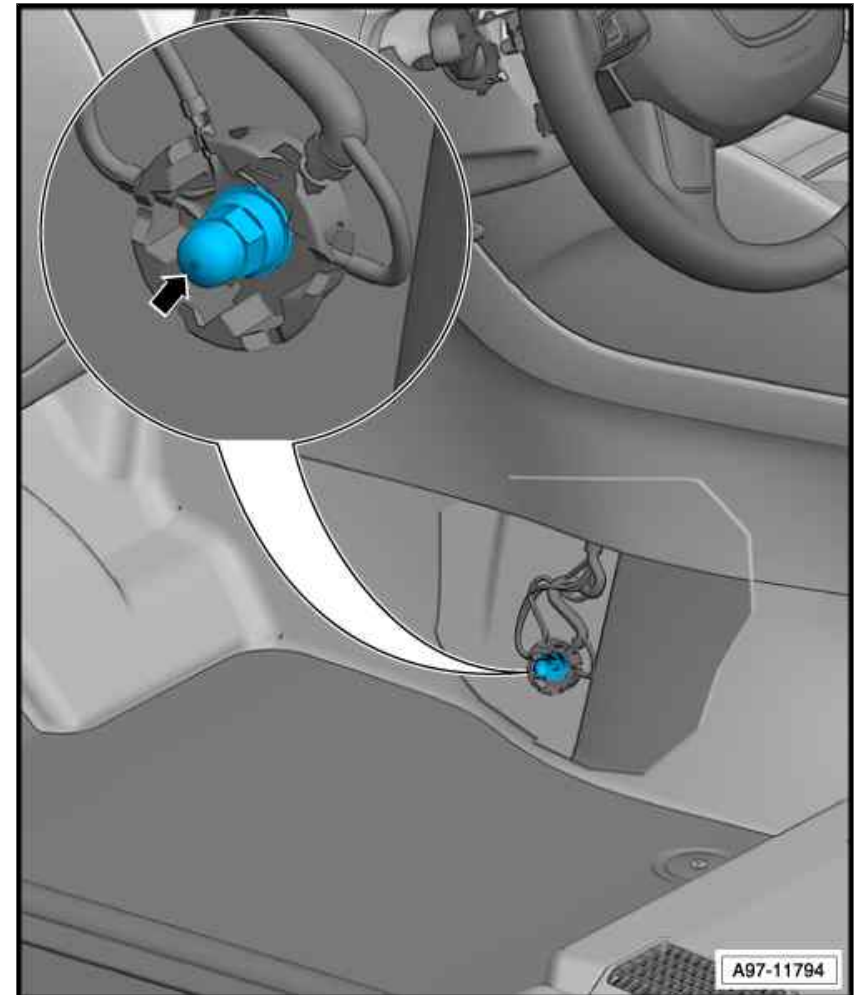
639 - Earth point on left A-pillar -arrow B-

Specified torque 9 Nm



1.2.3 Earth point 1, on centre tunnel

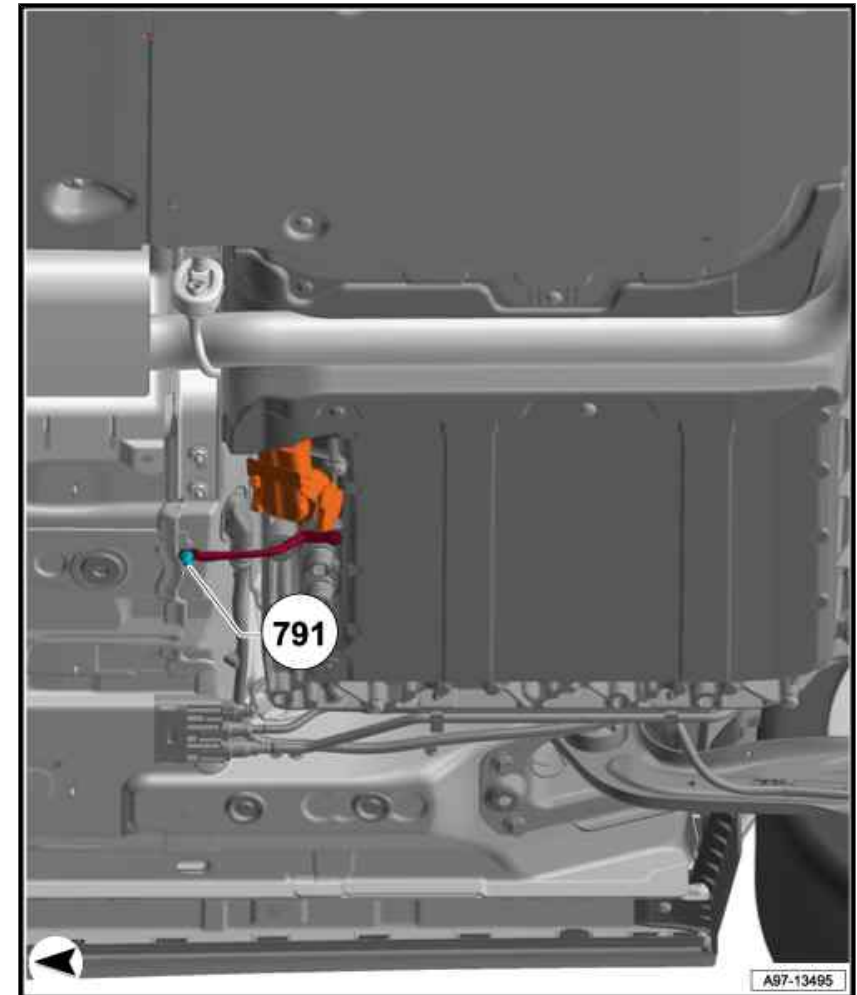
687 - Earth point 1, on centre tunnel -Arrow-  
Specified torque 9 Nm



### 1.2.4 Earth point, on rear right of underbody

791 - Earth point, on rear right of underbody

Specified torque 9 Nm



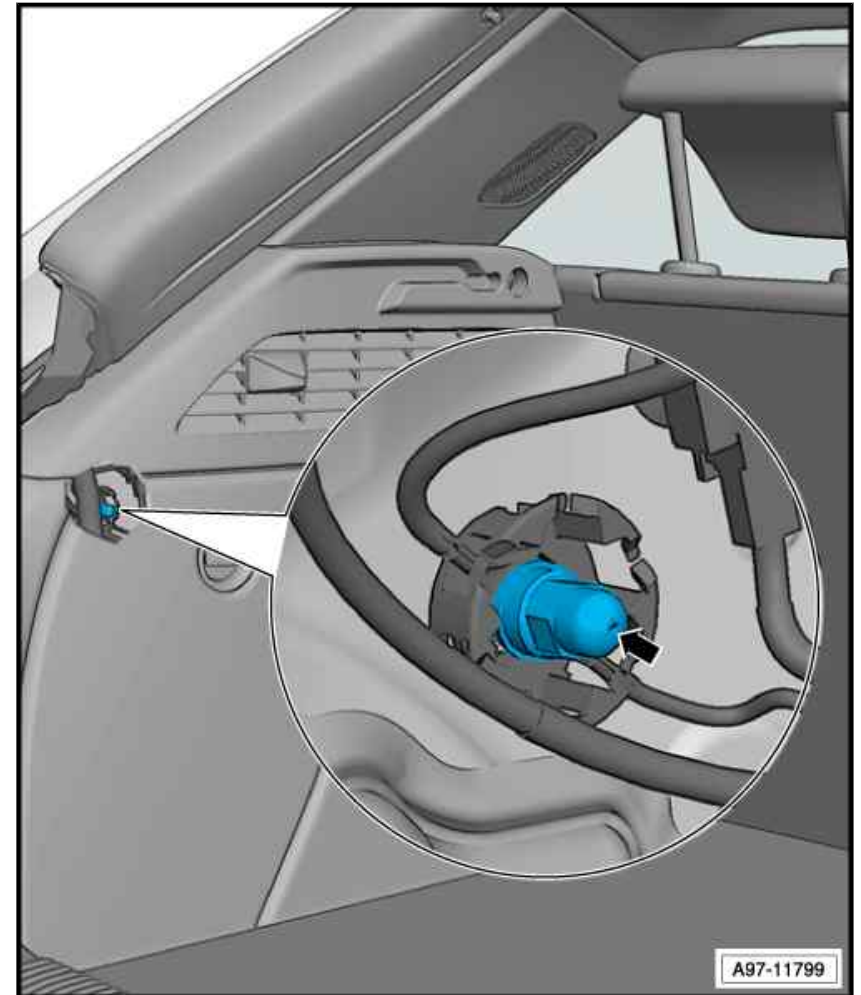
### 1.3 Earth points in rear part of vehicle

- ◆ ⇒ [“1.3.1 Earth point on rear left pillar \(3-door and 5-door\)”, page 18](#)
- ◆ ⇒ [“1.3.2 Earth point on right C-pillar \(3-door and 5-door\)”, page 20](#)

- ◆ ⇒ [“1.3.3 Earth point on rear right pillar \(3-door and 5-door\)”, page 21](#)
- ◆ ⇒ [“1.3.4 Earth point, central on rear lid \(3-door and 5-door\)”, page 22](#)
- ◆ ⇒ [“1.3.5 Earth point in luggage compartment \(3-door and 5-door\)”, page 23](#)
- ◆ ⇒ [p1.3.6 oint under rear shelf \(4-door\)”, page 24](#)
- ◆ ⇒ [p1.3.7 oint on left in luggage compartment \(4-door\)”, page 25](#)
- ◆ ⇒ [p1.3.8 oint on right in luggage compartment \(4-door\)”, page 26](#)
- ◆ ⇒ [p1.3.9 oint, right D-pillar \(4-door\)”, page 27](#)
- ◆ ⇒ [“1.3.10 Earth point on left in luggage compartment \(cabriolet\)”, page 28](#)
- ◆ ⇒ [p1.3.11 oint on right in luggage compartment \(cabriolet\)”, page 29](#)
- ◆ ⇒ [p1.3.12 oint 2 on right in luggage compartment \(cabriolet\)”, page 30](#)
- ◆ ⇒ [p1.3.13 oint 2 on left in luggage compartment \(cabriolet\)”, page 31](#)
- ◆ ⇒ [p1.3.14 oint on rear left wheel housing \(cabriolet\)”, page 32](#)

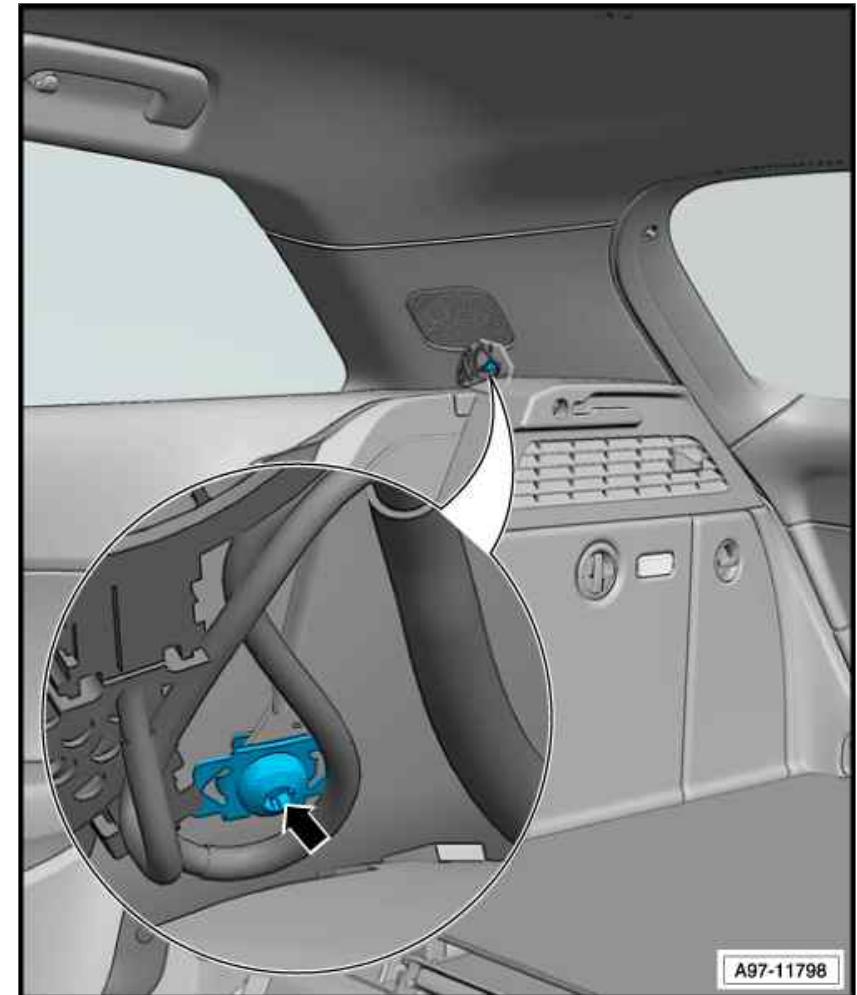
### **1.3.1 Earth point on rear left pillar (3-door and 5-door)**

57 - Earth point on rear left pillar -arrow-  
Specified torque 9 Nm



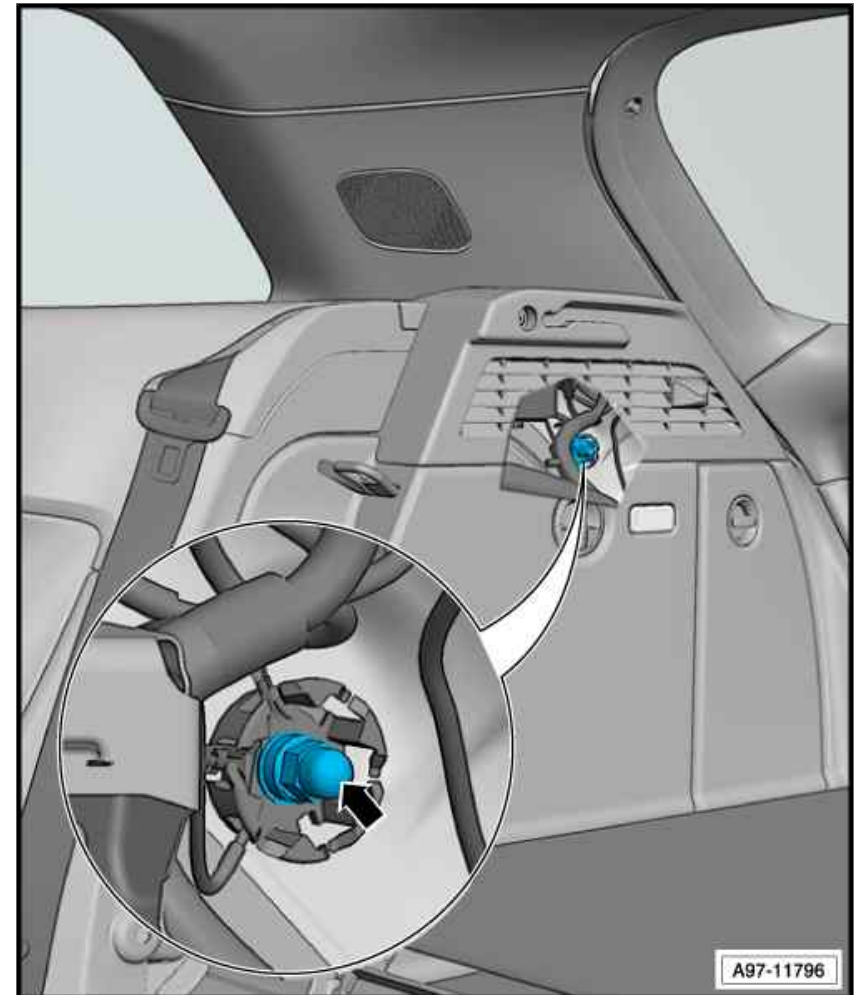
1.3.2 Earth point on right C-pillar (3-door and 5-door)

62 - Earth point, on right C-pillar -arrow-  
Specified torque 2 Nm



1.3.3 Earth point on rear right pillar (3-door and 5-door)

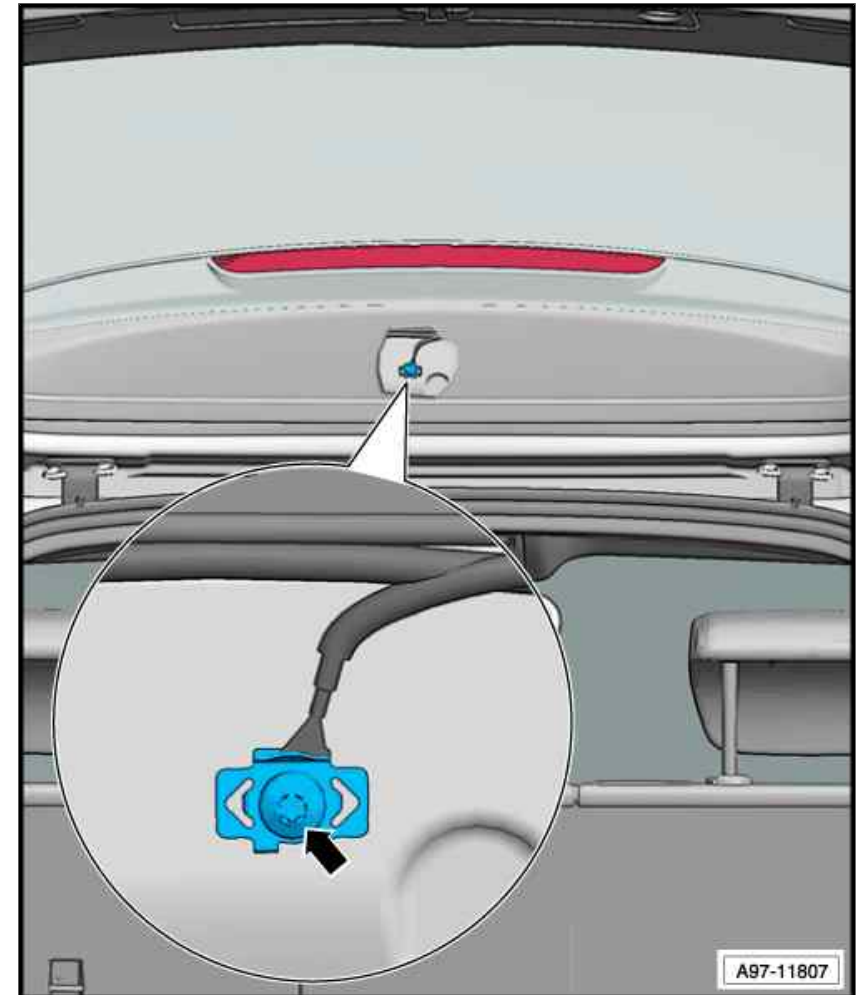
75 - Earth point on rear right pillar -arrow-  
Specified torque 9 Nm



1.3.4 Earth point, central on rear lid (3-door and 5-door)

612 - Earth point, central on rear lid -arrow-

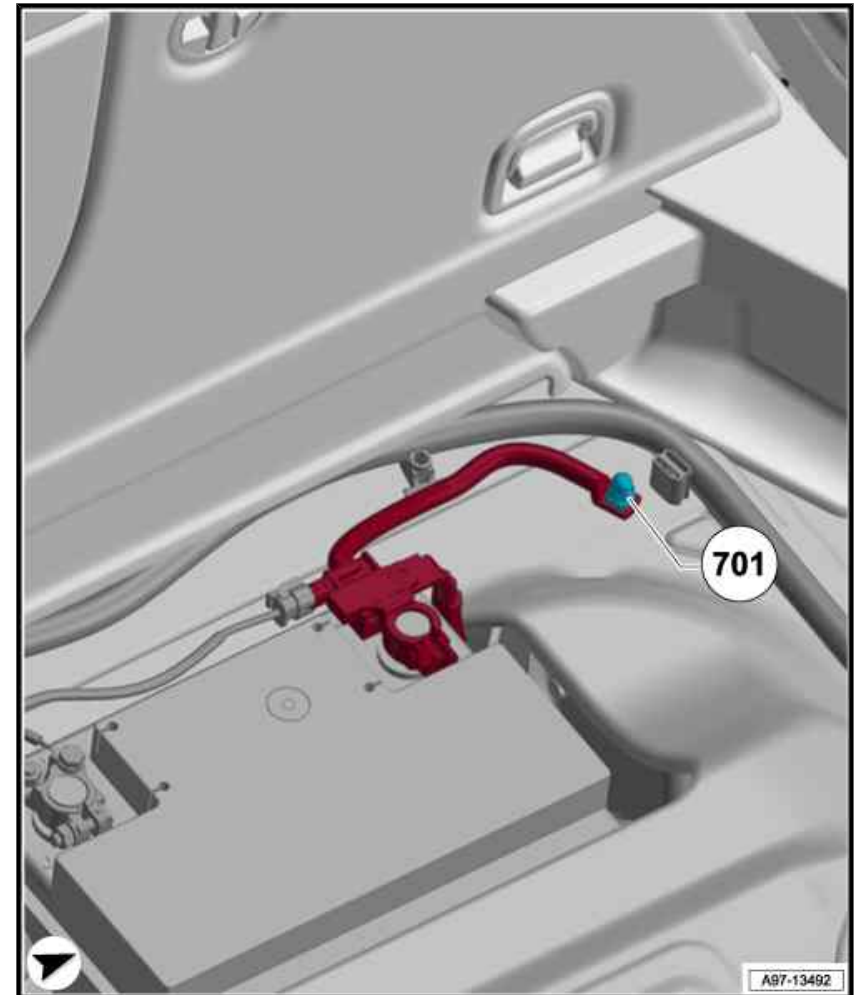
Specified torque 2 Nm



1.3.5 Earth point in luggage compartment (3-door and 5-door)

701 - Earth point in luggage compartment

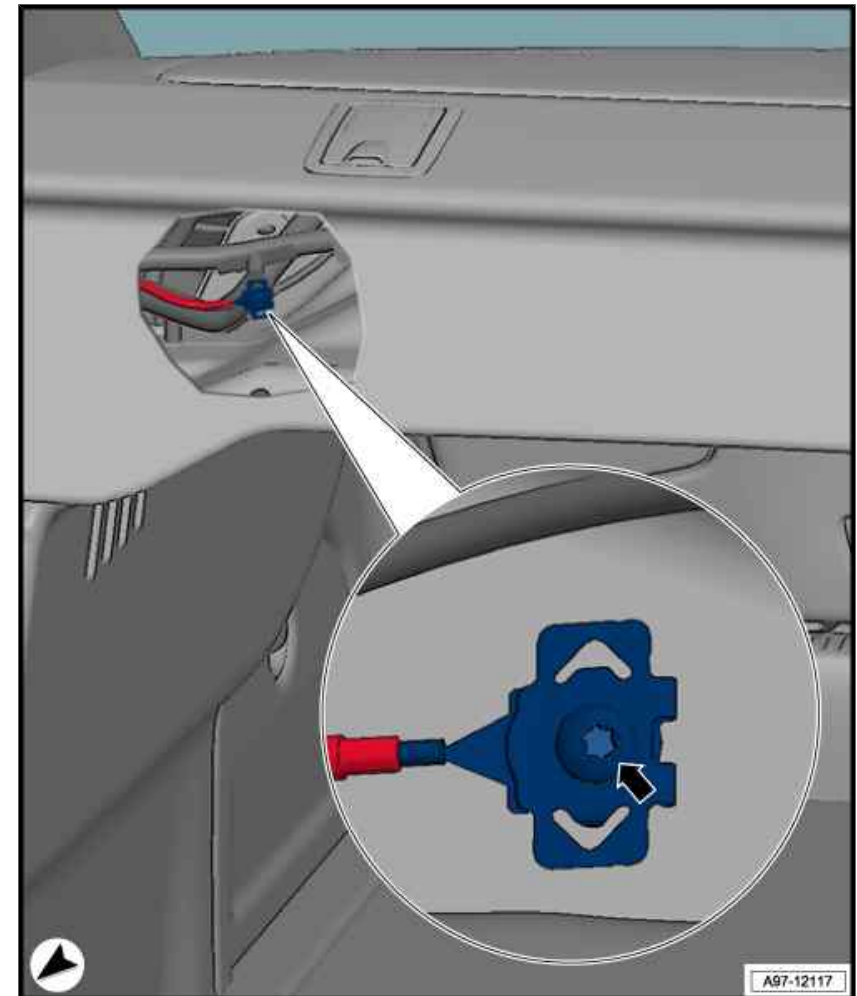
Specified torque 20 Nm



1.3.6 Earth point under rear shelf (4-door)

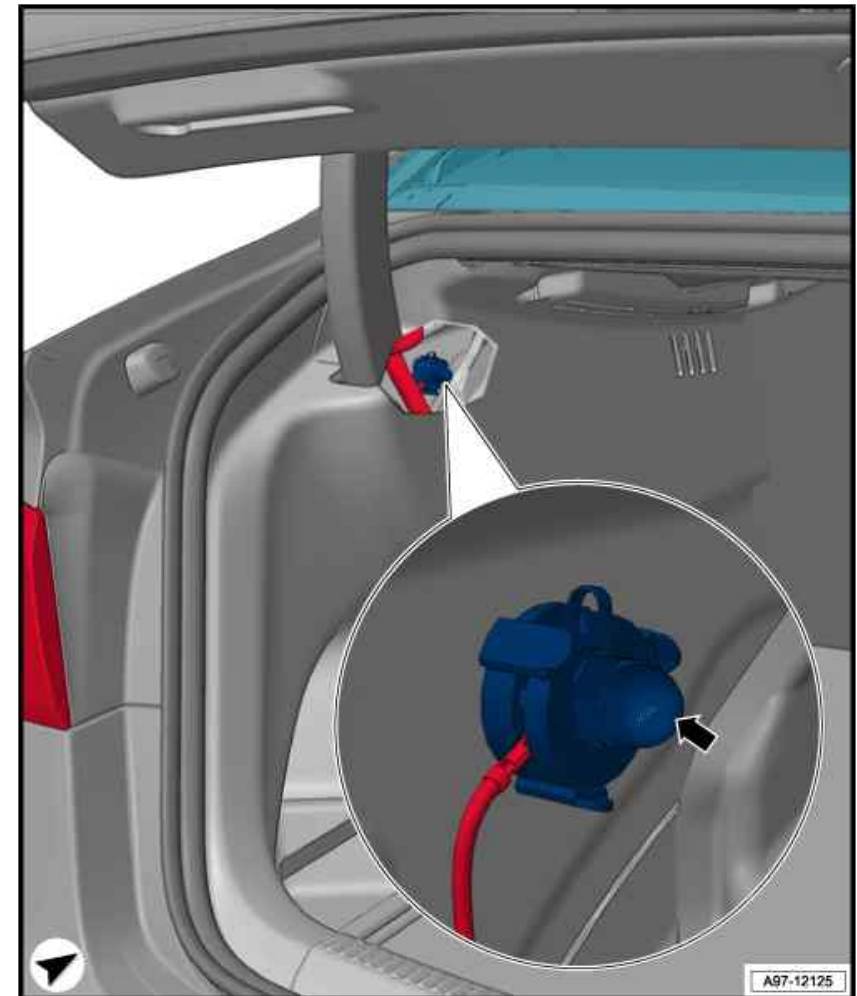
41 - Earth point, under rear shelf -arrow-

Specified torque 2 Nm



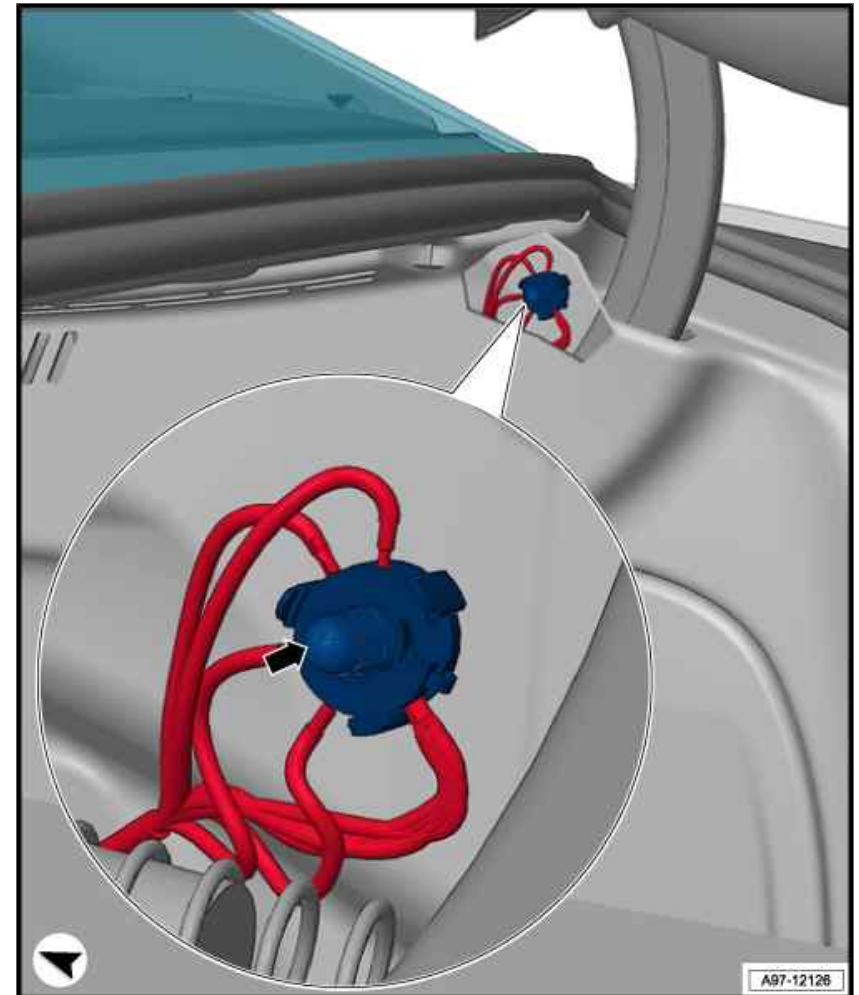
1.3.7 Earth point on left in luggage compartment (4-door)

50 - Earth point, on left in luggage compartment -Arrow-  
Specified torque 9 Nm



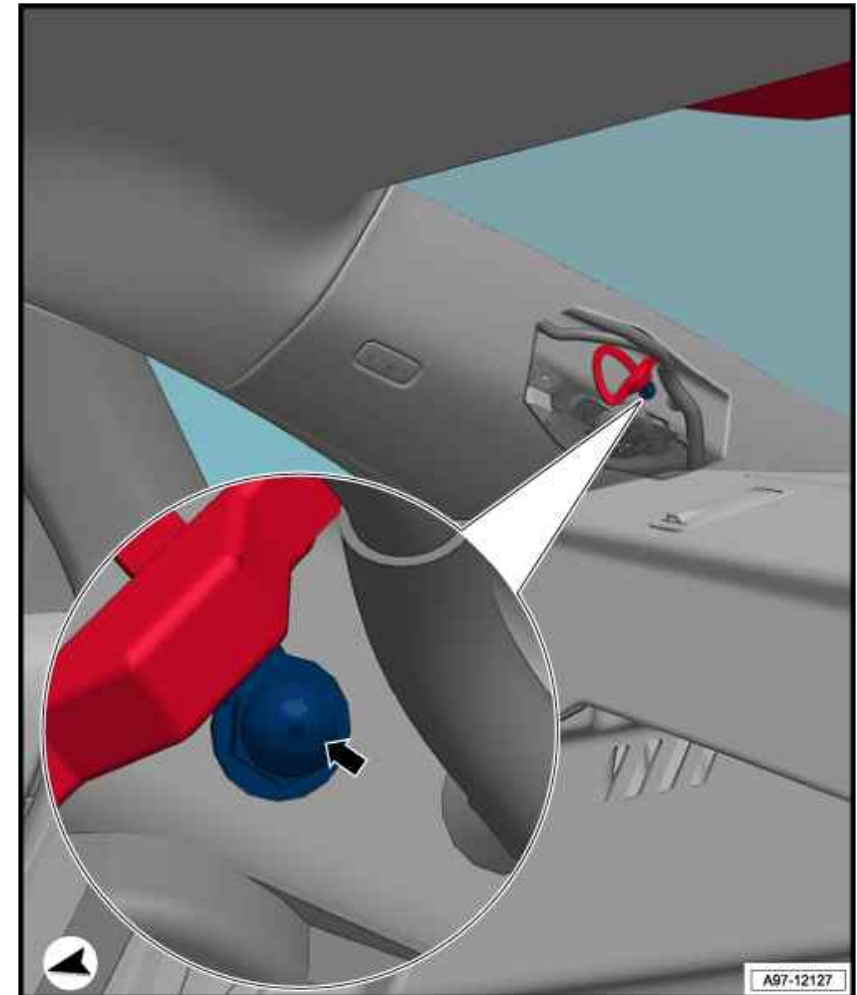
1.3.8 Earth point on right in luggage compartment (4-door)

51 - Earth point, on right in luggage compartment -Arrow-  
Specified torque 9 Nm



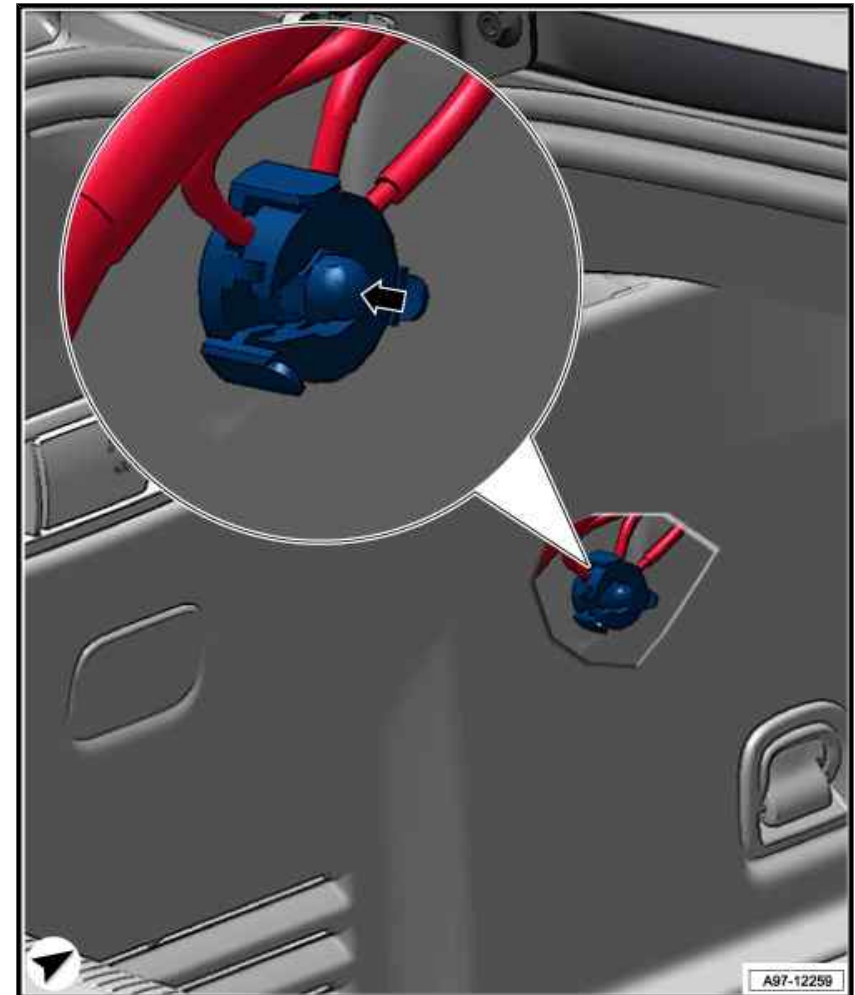
1.3.9 Earth point, right D-pillar (4-door)

654 - Earth point, on right D-pillar -Arrow-



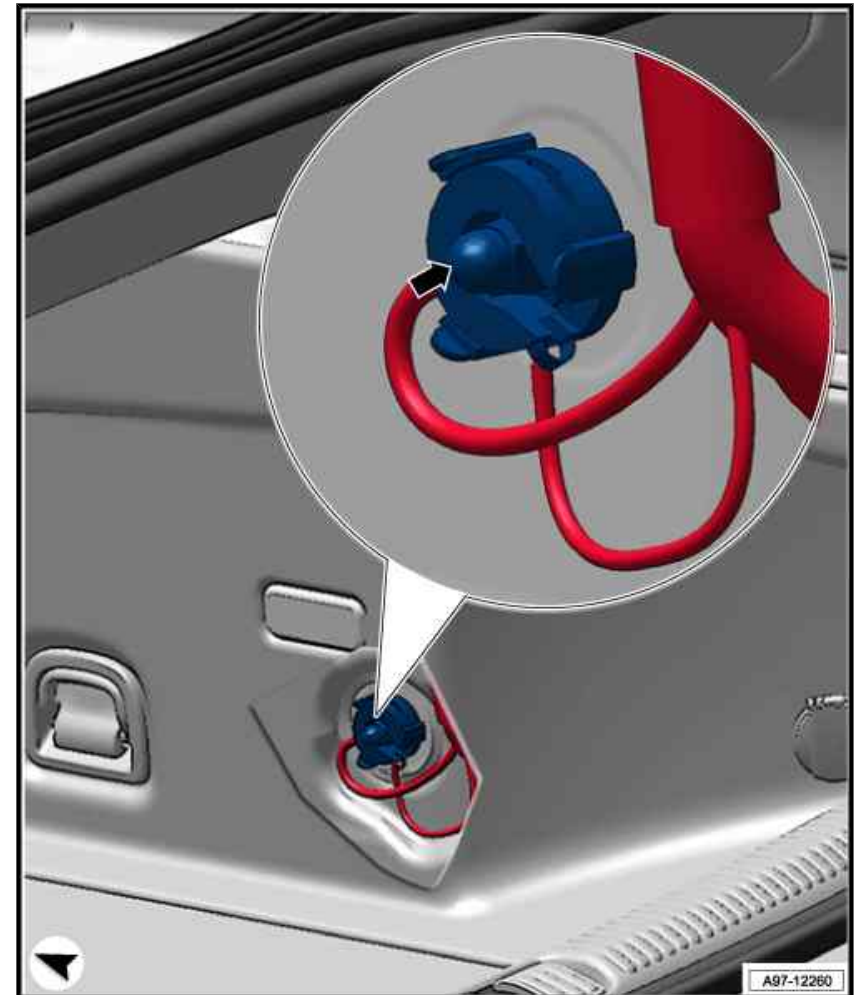
1.3.10 Earth point on left in luggage compartment (cabriolet)

50 - Earth point, on left in luggage compartment -Arrow-  
Specified torque 9 Nm



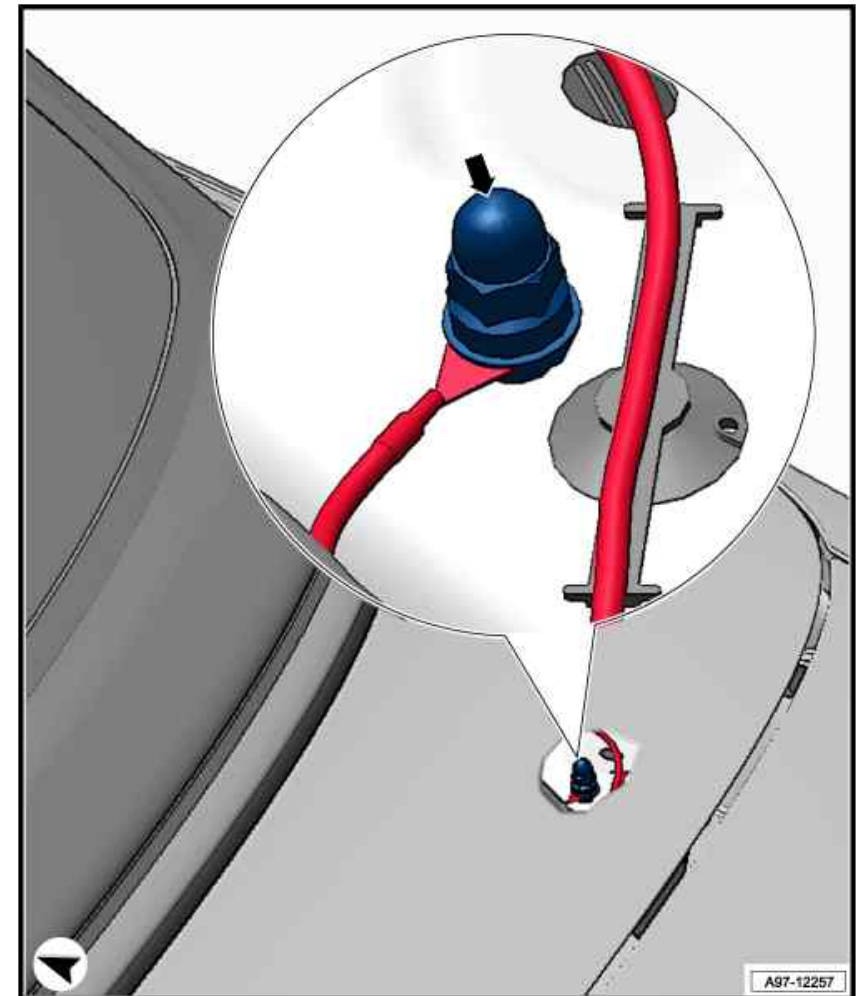
1.3.11 Earth point on right in luggage compartment (cabriolet)

51 - Earth point, on right in luggage compartment -Arrow-  
Specified torque 9 Nm



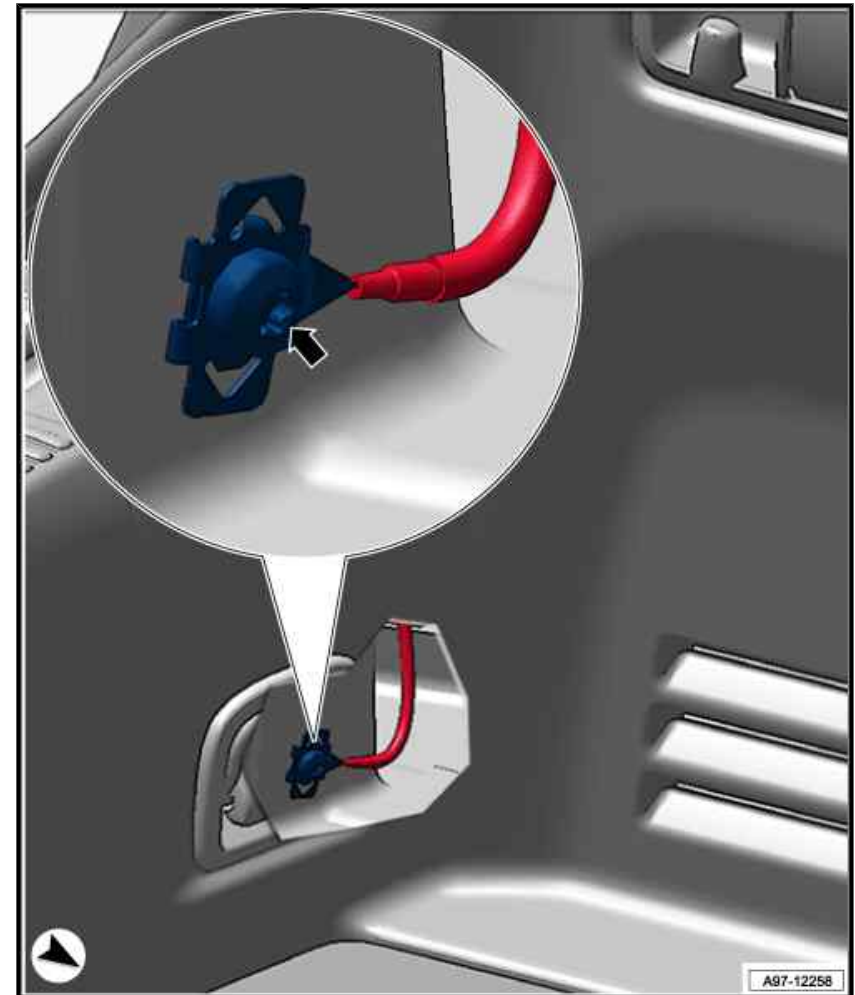
1.3.12 Earth point 2 on right in luggage compartment (cabriolet)

675 - Earth point 2 on right in luggage compartment -arrow-  
Specified torque 9 Nm



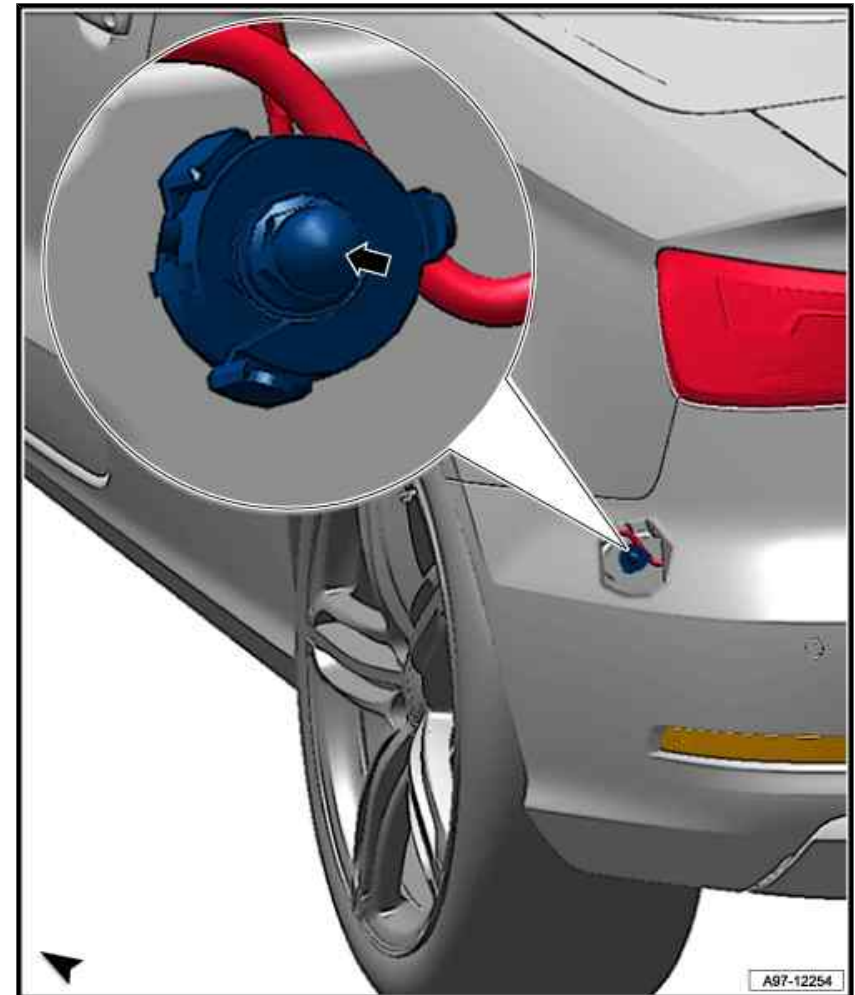
1.3.13 Earth point 2 on left in luggage compartment (cabriolet)

676 - Earth point 2 on left in luggage compartment -arrow-  
Specified torque 2 Nm



1.3.14 Earth point on rear left wheel housing (cabriolet)

729 - Earth point, on rear left wheel housing -arrow-  
Specified torque 9 Nm



**1 Fuses****1.1 Overview of fuses (3-door)****Note**

- ◆ *Overview of fuses (4-door) ⇒ [page 4](#)*
- ◆ *Overview of fuses (5-door) ⇒ [page 7](#)*
- ◆ *Overview of fuses (Cabriolet) ⇒ [page 10](#)*

**1 - Fuse holder A -SA-**

- Fitting location: ⇒ [page 13](#)
- Fuse assignment: ⇒ [page 14](#)
- Overview (4-door): ⇒ [item 1 \(page 5\)](#)
- Overview (5-door): ⇒ [item 1 \(page 8\)](#)
- Overview (Cabriolet): ⇒ [item 1 \(page 11\)](#)

**2 - Fuse holder B -SB-**

- Fitting location: ⇒ [page 16](#)
- Fuse assignment: ⇒ [page 19](#)
- Overview (4-door): ⇒ [item 2 \(page 5\)](#)
- Overview (5-door): ⇒ [item 2 \(page 8\)](#)
- Overview (Cabriolet): ⇒ [item 2 \(page 11\)](#)

**3 - Fuse holder on additional relay carrier, left-hand drive models**

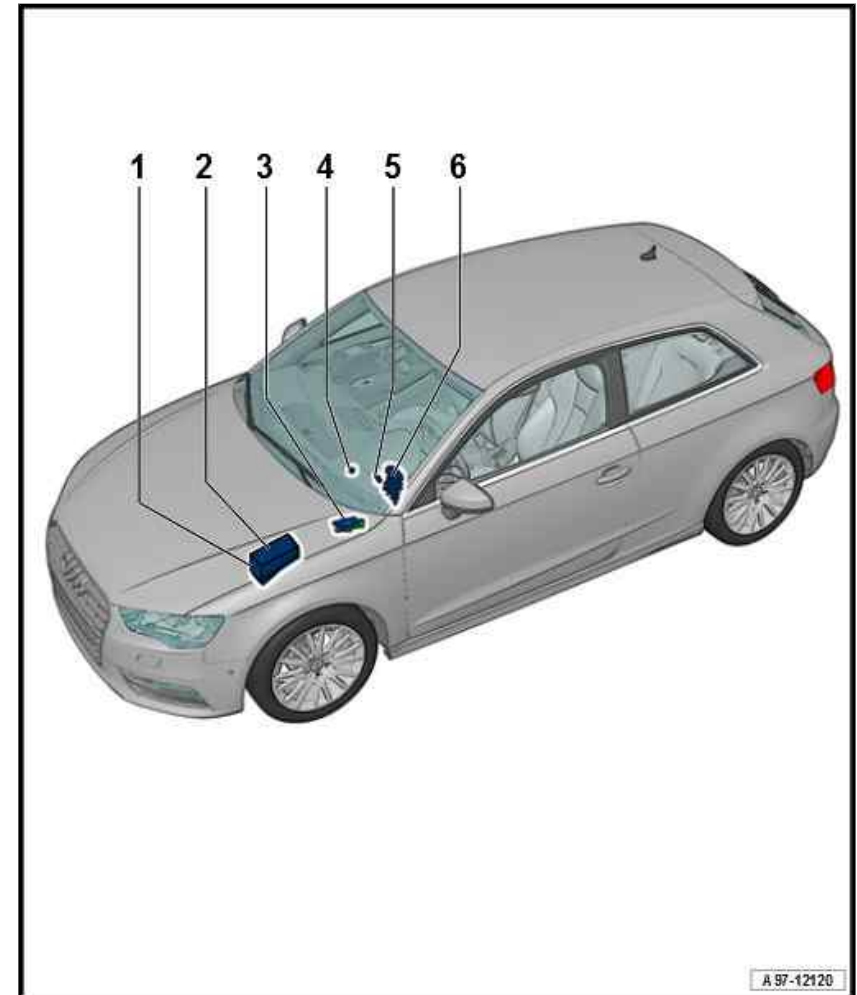
- Fitting location, left-hand drive models: ⇒ [page 47](#)
- Fitting location for right-hand drive models: ⇒ [item 3 \(page 2\)](#)
- Fuse assignment: ⇒ [page 47](#)
- Overview (4-door): ⇒ [item 3 \(page 5\)](#)
- Overview (5-door): ⇒ [item 3 \(page 8\)](#)
- Overview (Cabriolet): ⇒ [item 3 \(page 11\)](#)

**3 - Fuse holder F -SF-**

- Fitting location: ⇒ [page 39](#)
- Fuse assignment as of May 2013: ⇒ [page 40](#)
- Overview (4-door): ⇒ [item 3 \(page 5\)](#)
- Overview (5-door): ⇒ [item 3 \(page 8\)](#)
- Overview (Cabriolet): ⇒ [item 3 \(page 11\)](#)

**3 - Fuse carrier on onboard supply control unit -J519-**

- Components: -S46- , -S184-
- Fitting location, right-hand drive models: ⇒ [page 46](#)
- Fuse assignment: ⇒ [page 46](#)
- Overview (4-door): ⇒ [item 3 \(page 5\)](#)
- Overview (5-door): ⇒ [item 3 \(page 8\)](#)
- Overview (Cabriolet): ⇒ [item 3 \(page 11\)](#)



**3 - Fuse holder D -SD-**

- Fitting location, right-hand drive models: ⇒ [page 38](#)
- Fuse assignment as of May 2013: ⇒ [page 39](#)
- Fuse assignment as of May 2014: ⇒ [page 39](#)
- Overview (4-door): ⇒ [item 3 \(page 5\)](#)
- Overview (5-door): ⇒ [item 3 \(page 8\)](#)
- Overview (Cabriolet): ⇒ [item 3 \(page 11\)](#)

**4 - Fuse carrier on onboard supply control unit -J519-**

- Components: -S46-
- Fitting location, left-hand drive models: ⇒ [page 44](#)
- Fitting location for right-hand drive models: ⇒ [item 3 \(page 2\)](#)
- Fuse assignment: ⇒ [page 44](#)
- Overview (4-door): ⇒ [item 4 \(page 5\)](#)
- Overview (5-door): ⇒ [item 4 \(page 8\)](#)
- Overview (Cabriolet): ⇒ [item 4 \(page 11\)](#)

**5 - Fuse holder D -SD-**

- Fitting location, left-hand drive models: ⇒ [page 36](#)
- Fitting location for right-hand drive models: ⇒ [item 3 \(page 3\)](#)
- Fuse assignment up to April 2013: ⇒ [page 39](#)
- Fuse assignment as of May 2013: ⇒ [page 39](#)
- Fuse assignment as of May 2014: ⇒ [page 39](#)
- Overview (4-door): ⇒ [item 5 \(page 5\)](#)
- Overview (5-door): ⇒ [item 5 \(page 9\)](#)
- Overview (Cabriolet): ⇒ [item 5 \(page 12\)](#)

**6 - Fuse holder C -SC-**

- Fitting location: ⇒ [page 27](#)
- Fuse assignment: ⇒ [page 28](#)
- Overview (4-door): ⇒ [item 6 \(page 6\)](#)
- Overview (5-door): ⇒ [item 6 \(page 9\)](#)
- Overview (Cabriolet): ⇒ [item 6 \(page 12\)](#)

## 1.2 Overview of fuses (4-door)



### Note

- ◆ *Overview of fuses (3-door) ⇒ [page 1](#)*
- ◆ *Overview of fuses (5-door) ⇒ [page 7](#)*
- ◆ *Overview of fuses (Cabriolet) ⇒ [page 10](#)*

**1 - Fuse holder A -SA-**

- Fitting location: [⇒ page 13](#)
- Fuse assignment: [⇒ page 14](#)

**2 - Fuse holder B -SB-**

- Fitting location: [⇒ page 16](#)
- Fuse assignment: [⇒ page 19](#)

**3 - Fuse holder on additional relay carrier, left-hand drive models**

- Fitting location, left-hand drive models: [⇒ page 47](#)
- Fitting location for right-hand drive models: [⇒ item 3 \(page 5\)](#)
- Fuse assignment: [⇒ page 47](#)

**3 - Fuse holder F -SF-**

- Fitting location: [⇒ page 39](#)
- Fuse assignment as of May 2013: [⇒ page 40](#)

**3 - Fuse carrier on onboard supply control unit -J519-**

- Components: -S46- , -S184-
- Fitting location, right-hand drive models: [⇒ page 46](#)
- Fuse assignment: [⇒ page 46](#)

**3 - Fuse holder D -SD-**

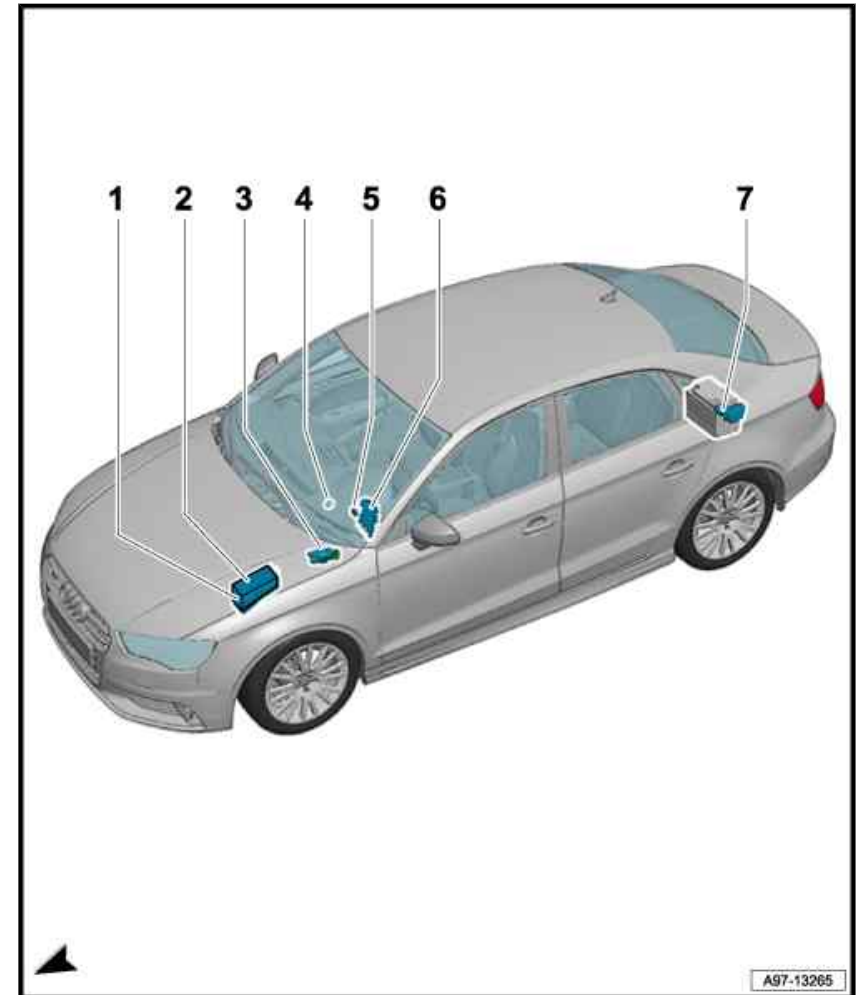
- Fitting location, right-hand drive models: [⇒ page 38](#)
- Fuse assignment as of May 2013: [⇒ page 39](#)
- Fuse assignment as of May 2014: [⇒ page 39](#)

**4 - Fuse carrier on onboard supply control unit -J519-**

- Components: -S46-
- Fitting location, left-hand drive models: [⇒ page 44](#)
- Fitting location for right-hand drive models: [⇒ item 3 \(page 5\)](#)
- Fuse assignment: [⇒ page 44](#)

**5 - Fuse holder D -SD-**

- Fitting location, left-hand drive models: [⇒ page 36](#)
- Fitting location for right-hand drive models: [⇒ item 3 \(page 5\)](#)
- Fuse assignment up to April 2013: [⇒ page 39](#)
- Fuse assignment as of May 2013: [⇒ page 39](#)
- Fuse assignment as of May 2014: [⇒ page 39](#)



**6 - Fuse holder C -SC-**

- Fitting location: ⇒ [page 27](#)
- Fuse assignment: ⇒ [page 28](#)

**7 - Fuse holder in main fuse box in luggage compartment**

- Fitting location with RS3, from November 2016: ⇒ [page 50](#)
- Fuse assignment with RS3: ⇒ [page 50](#)
- Overview (5-door): ⇒ [item 7 \(page 9\)](#)

### 1.3 Overview of fuses (5-door)



#### Note

- ◆ *Overview of fuses (3-door) ⇒ [page 1](#)*
- ◆ *Overview of fuses (4-door) ⇒ [page 4](#)*
- ◆ *Overview of fuses (Cabriolet) ⇒ [page 10](#)*

**1 - Fuse holder A -SA-**

- Fitting location without hybrid drive: ⇒ [page 13](#)
- Fitting location with hybrid drive: ⇒ [page 14](#)
- Fuse assignment with and without hybrid drive, without RS3: ⇒ [page 14](#)
- Fuse assignment with RS3: ⇒ [page 16](#)

**2 - Fuse holder B -SB-**

- Fitting location without hybrid drive: ⇒ [page 16](#)
- Fitting location with hybrid drive: ⇒ [page 18](#)
- Fuse assignment: ⇒ [page 19](#)

**3 - Fuse holder on additional relay carrier, left-hand drive models**

- Fitting location, left-hand drive models: ⇒ [page 47](#)
- Fitting location for right-hand drive models: ⇒ [item 3 \(page 8\)](#)
- Fuse assignment: ⇒ [page 47](#)

**3 - Fuse holder F -SF-**

- Fitting location: ⇒ [page 39](#)
- Fuse assignment as of May 2013: ⇒ [page 40](#)

**3 - Fuse carrier on onboard supply control unit -J519-**

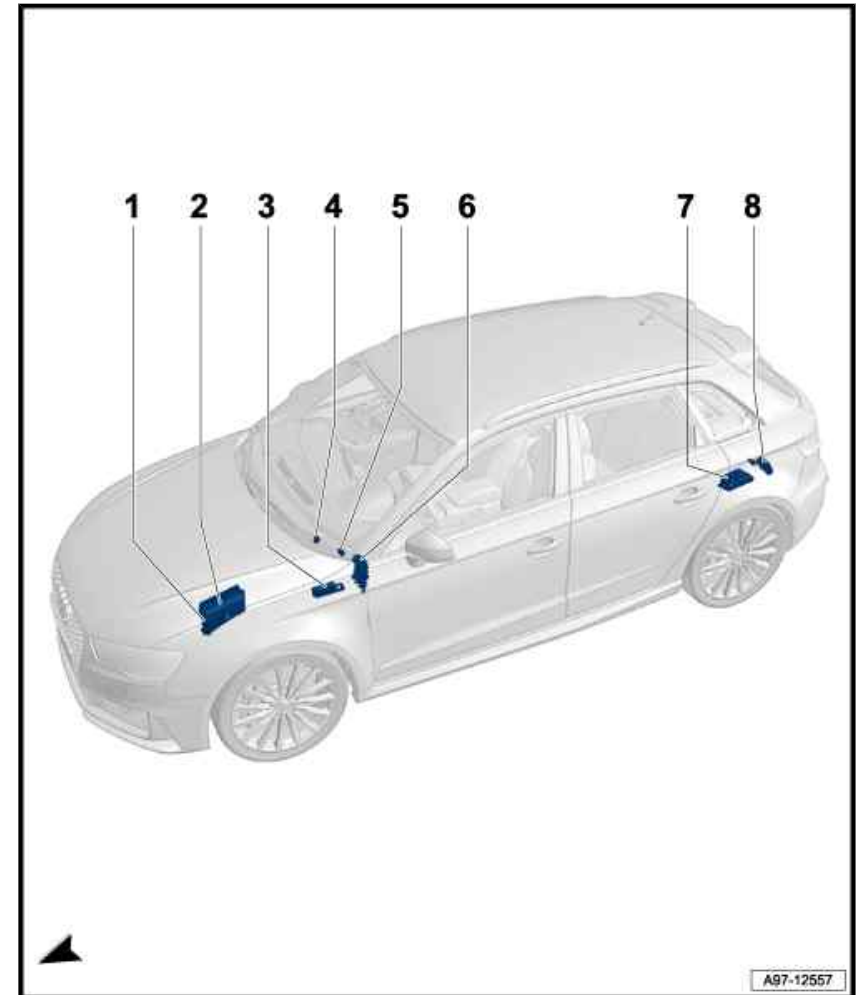
- Components: -S46- , -S184-
- Fitting location, right-hand drive models: ⇒ [page 46](#)
- Fuse assignment: ⇒ [page 46](#)

**3 - Fuse holder D -SD-**

- Fitting location, right-hand drive models: ⇒ [page 38](#)
- Fuse assignment as of May 2013: ⇒ [page 39](#)
- Fuse assignment as of May 2014: ⇒ [page 39](#)

**4 - Fuse carrier on onboard supply control unit -J519-**

- Components: -S46-
- Fitting location, left-hand drive models: ⇒ [page 44](#)
- Fitting location for right-hand drive models: ⇒ [item 3 \(page 8\)](#)
- Fuse assignment: ⇒ [page 44](#)



**5 - Fuse holder D -SD-**

- Fitting location, left-hand drive models: ⇒ [page 36](#)
- Fitting location for right-hand drive models: ⇒ [item 3 \(page 8\)](#)
- Fuse assignment up to April 2013: ⇒ [page 39](#)
- Fuse assignment as of May 2013: ⇒ [page 39](#)
- Fuse assignment as of May 2014: ⇒ [page 39](#)

**6 - Fuse holder C -SC-**

- Fitting location: ⇒ [page 27](#)
- Fuse assignment: ⇒ [page 28](#)

**7 -****Fuse holder in main fuse box in luggage compartment**

- Components: -S131- , -S132- , -S133- , -S1-
- Fitting location with RS3, up to October 2016: ⇒ [page 49](#)
- Fitting location with RS3, from November 2016: ⇒ [page 50](#)
- Fuse assignment with RS3: ⇒ [page 50](#)
- Overview (4-door): ⇒ [item 7 \(page 6\)](#)

**8 -****Fuse holder for battery in luggage compartment**

- Components: -S162- , -S163-
- Fitting location with hybrid drive: ⇒ [page 48](#)
- Fuse assignment, with hybrid drive: ⇒ [page 48](#)

1.4 Overview of fuses (Cabriolet)



Note

- ◆ Overview of fuses (3-door) ⇒ [page 1](#)
- ◆ Overview of fuses (4-door) ⇒ [page 4](#)
- ◆ Overview of fuses (5-door) ⇒ [page 7](#)

**1 - Fuse holder A -SA-**

- Fitting location: [⇒ page 13](#)
- Fuse assignment: [⇒ page 14](#)

**2 - Fuse holder B -SB-**

- Fitting location: [⇒ page 16](#)
- Fuse assignment: [⇒ page 19](#)

**3 - Fuse holder on additional relay carrier, left-hand drive models**

- Fitting location, left-hand drive models: [⇒ page 47](#)
- Fitting location for right-hand drive models: [⇒ item 3 \(page 11\)](#)
- Fuse assignment: [⇒ page 47](#)

**3 - Fuse holder F -SF-**

- Fitting location: [⇒ page 39](#)
- Fuse assignment as of May 2013: [⇒ page 40](#)

**3 - Fuse holder H -SH-**

- Fitting location, left-hand drive models: [⇒ page 41](#)
- Fitting location for right-hand drive models: [⇒ item 3 \(page 11\)](#)
- Fuse assignment, from November 2013 [⇒ page 44](#)

**3 - Fuse carrier on onboard supply control unit -J519-**

- Components: -S46-
- Fitting location, right-hand drive models: [⇒ page 46](#)
- Fuse assignment: [⇒ page 46](#)

**3 - Fuse holder D -SD-**

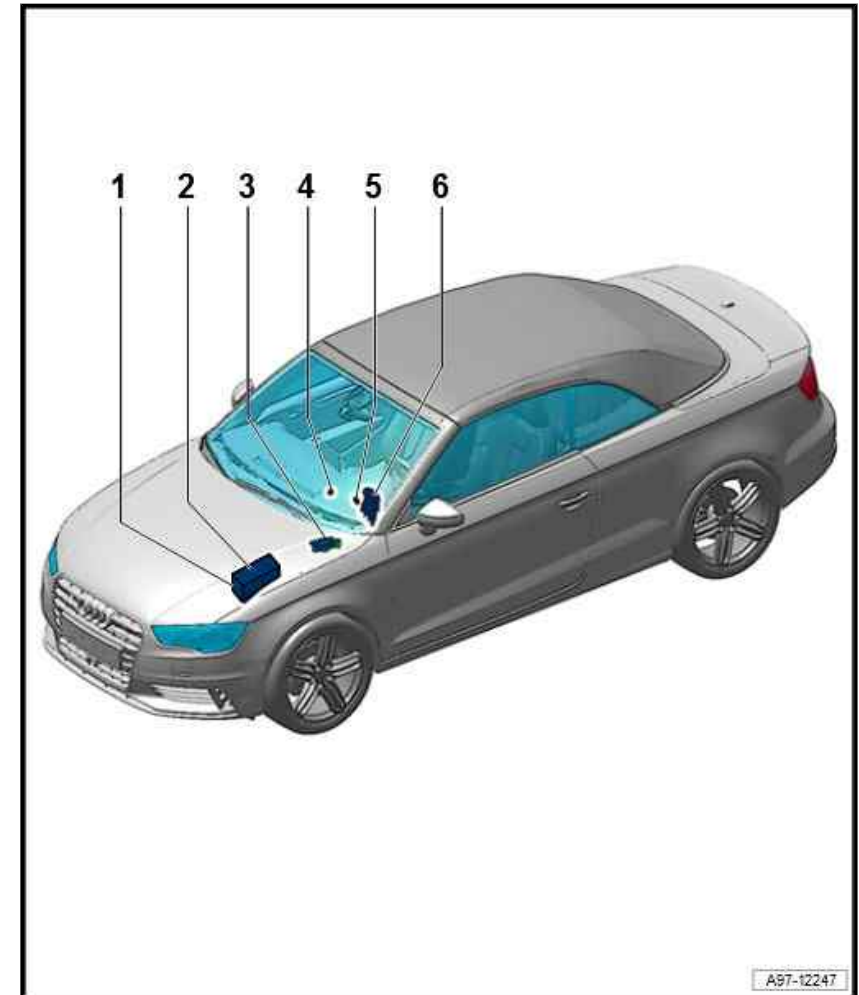
- Fitting location, right-hand drive models: [⇒ page 38](#)
- Fuse assignment as of May 2013: [⇒ page 39](#)
- Fuse assignment as of May 2014: [⇒ page 39](#)

**3 - Fuse holder H -SH-**

- Fitting location, right-hand drive models: [⇒ page 43](#)
- Fuse assignment, from November 2013: [⇒ page 44](#)

**4 - Fuse carrier on onboard supply control unit -J519-**

- Components: -S46-
- Fitting location, left-hand drive models: [⇒ page 44](#)
- Fitting location for right-hand drive models: [⇒ item 3 \(page 11\)](#)
- Fuse assignment: [⇒ page 44](#)



**5 - Fuse holder D -SD-**

- Fitting location, left-hand drive models: ⇒ [page 36](#)
- Fitting location for right-hand drive models: ⇒ [item 3 \(page 11\)](#)
- Fuse assignment as of May 2013: ⇒ [page 39](#)
- Fuse assignment as of May 2014: ⇒ [page 39](#)

**6 - Fuse holder C -SC-**

- Fitting location: ⇒ [page 27](#)
- Fuse assignment: ⇒ [page 28](#)

1.5 Fitting location of fuse holder A -SA- , without hybrid drive

SA - Fuse holder A

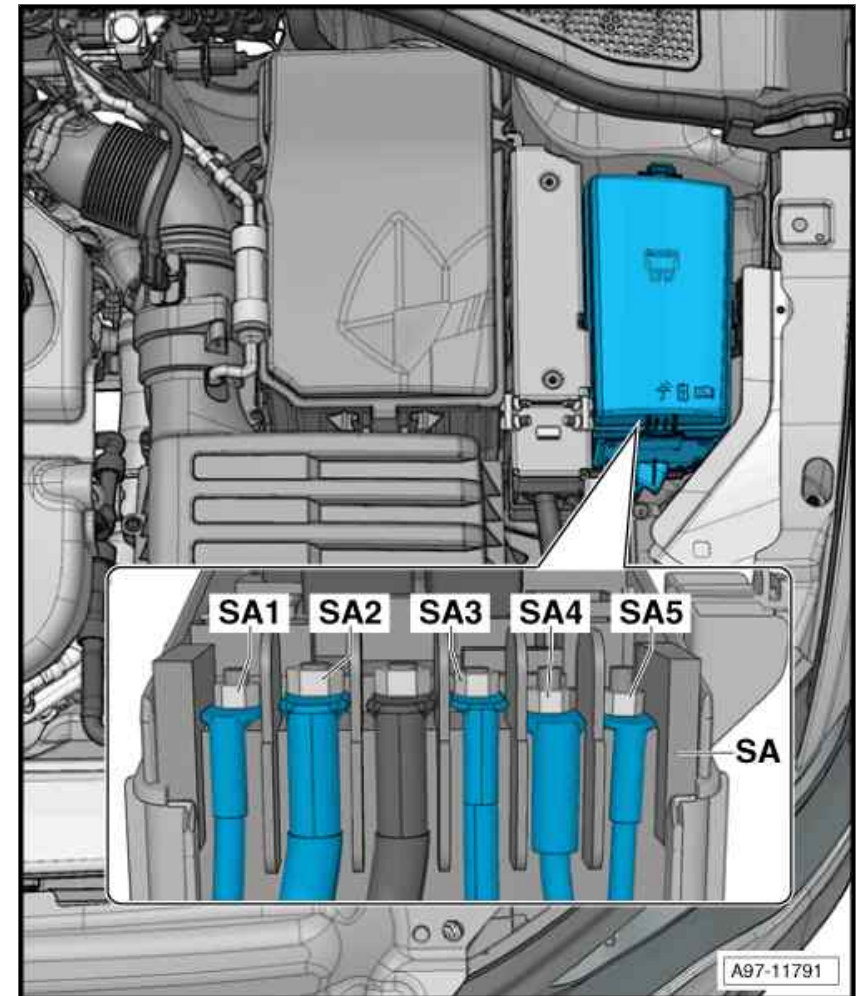
SA1 - Fuse 1 on fuse holder A

SA2 - Fuse 2 on fuse holder A

SA3 - Fuse 3 on fuse holder A

SA4 - Fuse 4 on fuse holder A

SA5 - Fuse 5 on fuse holder A



1.6 Fitting location of fuse holder A -SA- , with hybrid drive

A - Fuse holder A

SA1 - Fuse 1 on fuse holder A , ⇒ [page 14](#)

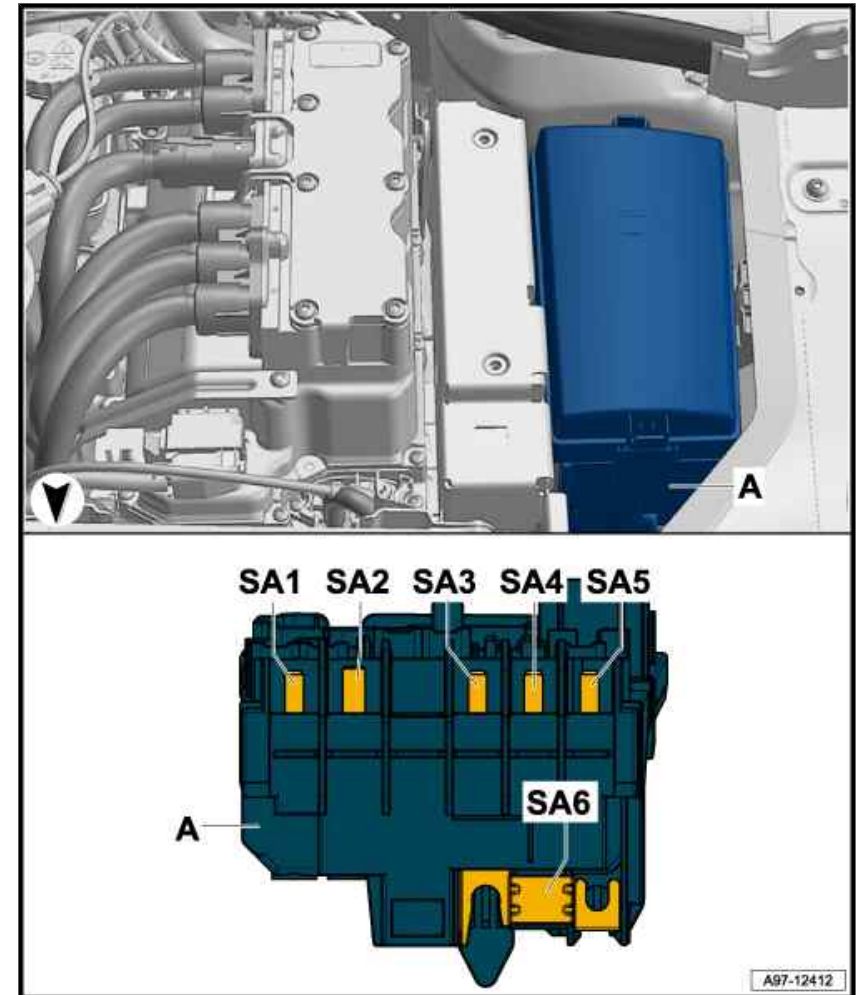
SA2 - Fuse 2 on fuse holder A , ⇒ [page 14](#)

SA3 - Fuse 3 on fuse holder A , ⇒ [page 14](#)

SA4 - Fuse 4 on fuse holder A , ⇒ [page 14](#)

SA5 - Fuse 5 on fuse holder A , ⇒ [page 14](#)

SA6 - Fuse 6 on fuse holder A , ⇒ [page 14](#)



1.7 Fuse assignment fuse holder A -SA- , with and without hybrid drive, without RS3

Screw location	Current flow diagram designation	Nominal value	Function/component	Terminal
J1A	Fuse 1 on fuse holder A -SA1-	125 A	Supply for the fuses: -SC4- ... -SC14-	30

Screw location	Current flow diagram designation	Nominal value	Function/component	Terminal
			-SC30- -SC31- -SC38- -SC39- -SC41- -SC42- -SC53- Front passenger seat adjustment thermal fuse 1 -S46- Terminal 15 voltage supply relay -J329-	
G1A	Fuse 2 on fuse holder A -SA2-	150 A <sup>1)</sup> 200 A <sup>2)</sup> 250 A <sup>3)</sup> 400 A <sup>4)</sup> 250 A <sup>5)</sup>	Alternator -C-  Power and control electronics for electric drive -JX1- <sup>5)</sup>	30
E1A	Fuse 3 on fuse holder A -SA3-	80 A	Power steering control unit -J500-	30
K2A	Fuse 4 on fuse holder A -SA4-	80 A	Supply for the fuses: -SC15- ... -SC20- -SC23- ... -SC28- -SB43- ... -SB45-	30
L1A	Fuse 5 on fuse holder A -SA5-	80 A <sup>5)</sup> 50 A <sup>6)</sup>	Radiator fan control unit -J293-	30
P1A	Fuse 6 on fuse holder A -SA6-	50 A <sup>5)</sup>	Mechatronic unit for dual clutch gearbox -J743- <sup>5) 7)</sup>	30

1) for models with 90 A alternator only, up to April 2013

2) for models with 140 A alternator only, up to April 2013

3) for models with 180 A alternator only, up to April 2013

4) for models with alternator only, from May 2013

5) for models with hybrid drive only

6) for models with hybrid drive only

7) for models with 6-speed dual clutch gearbox 0DD only

**1.8 Fuse assignment, fuse holder A -SA- , with RS3**

Screw location	Current flow diagram designation	Nominal value	Function/component	Terminal
J1A	Fuse 1 on fuse holder A -SA1-	80 A	Radiator fan control unit -J293-	30
G1A	Fuse 2 on fuse holder A -SA2-	400 A	Alternator -C-	30
E1A	Fuse 3 on fuse holder A -SA3-	-		-
K2A	Fuse 4 on fuse holder A -SA4-	80 A	Power steering control unit -J500-	30
L1A		-		-

**1.9 Fitting location of fuse holder B -SB- , without hybrid drive**

A - Fuse holder B -SB- ; => [page 19](#)

**Fuse colours for MAXI fuse:**

- ◆ 80 A - natural (white)
- ◆ 30 A - green

**Fuse colours for J-Case fuse:**

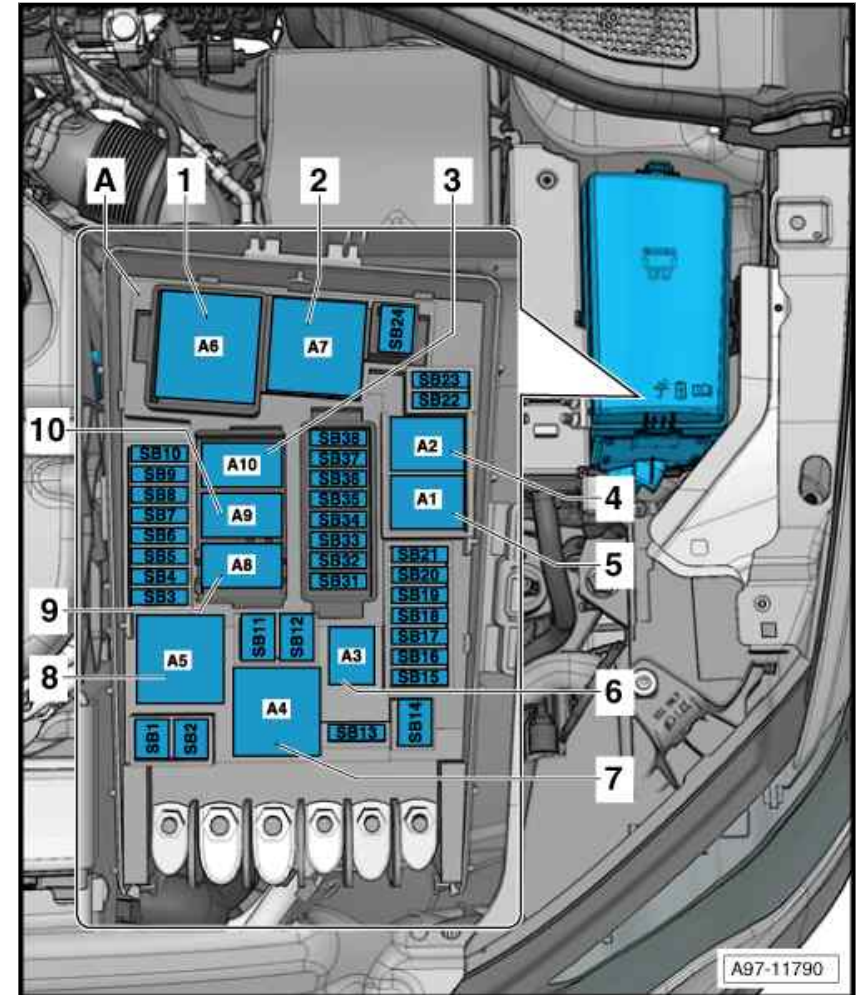
- ◆ 50 A - red
- ◆ 40 A - green
- ◆ 30 A - pink
- ◆ 20 A - blue

**Fuse colours for ATO flat fuse:**

- ◆ 30 A - light green
- ◆ 25 A - natural (white)
- ◆ 20 A - yellow
- ◆ 15 A - light blue
- ◆ 10 A - red
- ◆ 7.5 A - brown
- ◆ 5 A - light brown
- ◆ 1A - black

**Fuse colours, for mini fuses:**

- ◆ 15 A - light blue
- ◆ 10 A - red
- ◆ 7.5 A - brown
- ◆ 5 A - light brown
- ◆ 1A - black



1.10 Fitting location of fuse holder B -SB- , with hybrid drive

A - Fuse holder B -SB- ; => [page 19](#)

**Fuse colours for MAXI fuse:**

- ◆ 80 A - natural (white)
- ◆ 30 A - green

**Fuse colours for J-Case fuse:**

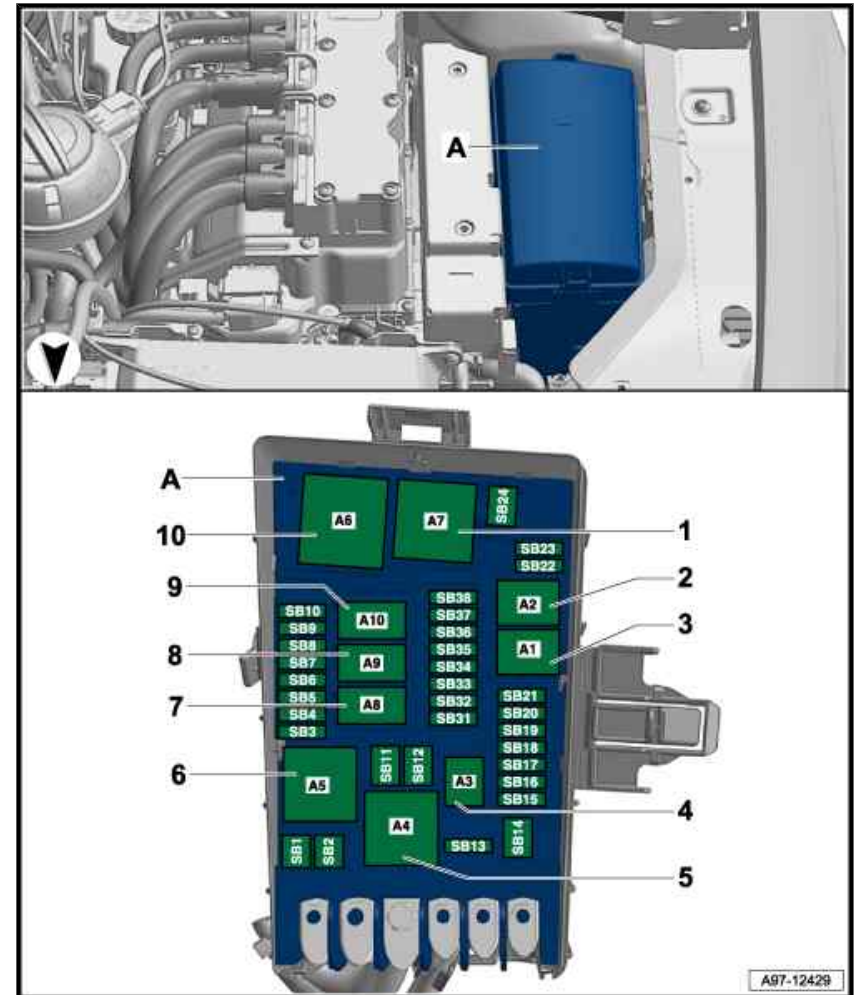
- ◆ 50 A - red
- ◆ 40 A - green
- ◆ 30 A - pink
- ◆ 20 A - blue

**Fuse colours for ATO flat fuse:**

- ◆ 30 A - light green
- ◆ 25 A - natural (white)
- ◆ 20 A - yellow
- ◆ 15 A - light blue
- ◆ 10 A - red
- ◆ 7.5 A - brown
- ◆ 5 A - light brown
- ◆ 1A - black

**Fuse colours, for mini fuses:**

- ◆ 15 A - light blue
- ◆ 10 A - red
- ◆ 7.5 A - brown
- ◆ 5 A - light brown
- ◆ 1A - black



**1.11 Fuse assignment on fuse holder B -SB-**

Slot	Current flow diagram designation	Nominal value	Function/component	Terminal
F1	Fuse 1 on fuse holder B -SB1-	40 A <sup>24) 26)</sup> 20 A <sup>23) 25)</sup>	ABS control unit -J104-	30
F2	Fuse 2 on fuse holder B -SB2-	40 A	ABS control unit -J104-	30
F3	Fuse 3 on fuse holder B -SB3-	15 A <sup>1) 6)</sup> 30 A <sup>2)</sup>	Engine control unit -J623-	87
F4	Fuse 4 on fuse holder B -SB4-	5 A <sup>2) 14) 22)</sup> 31) 7.5 A <sup>2) 14)</sup> 32) 10 A <sup>4) 5) 6)</sup> 20)	Oil level and oil temperature sender -G266-  Engine component current supply relay 2 -J976- <sup>22)</sup> Engine component current supply relay -J757- <sup>14)</sup> Radiator fan control unit -J293- Charge pressure control solenoid valve -N75- <sup>2)</sup> Activated charcoal filter solenoid valve 1 -N80- <sup>3) 4) 6) 20) 27)</sup> Camshaft control valve 1 -N205- <sup>3) 4) 6) 20) 27)</sup> Camshaft control valve 2 -N208- <sup>4)</sup> Turbocharger air recirculation valve -N249- <sup>5)</sup> Exhaust camshaft control valve 1 -N318- <sup>4) 20) 33)</sup> Intake manifold flap valve -N316- <sup>5)</sup> Exhaust gas recirculation cooler changeover valve -N345- <sup>2)</sup> High-pressure valve for gas mode -N372- <sup>4) 6)</sup> Oil pressure control valve -N428- <sup>4) 5) 6) 20) 27)</sup> Gas tank valve -N495- <sup>33)</sup> Piston cooling jet control valve -N522- <sup>5)</sup> Air mass meter -G70- <sup>5)</sup> Low heat output relay -J359- <sup>2)</sup> High heat output relay -J360- <sup>2)</sup> Relay for reducing agent metering system -J963- <sup>19)</sup> Inlet cam actuator for cylinder 2 -N583- <sup>4) 27)</sup>	87

Slot	Current flow diagram designation	Nominal value	Function/component	Terminal
			Inlet cam actuator for cylinder 2 -N587- 4) 27) Inlet cam actuator for cylinder 3 -N591- 4) 27) Inlet cam actuator for cylinder 3 -N595- 4) 27) Secondary air pump relay -J299- (5, 22) Coolant shortage indicator control unit -J120- 13)	
F5	Fuse 5 on fuse holder B -SB5-	10 A 5) 2) 13) 7.5 A 4) 6) 15 A 14) 22)	Engine component current supply relay -J757- 5)  Activated charcoal filter solenoid valve 1 -N80- 14) 22) Crankcase breather valve -N546- 22) Valve for oil pressure control -N428- 14) Intake manifold flap valve -N316- 14) 22) Charge pressure control solenoid valve -N75- 14) 22) Turbocharger air recirculation valve -N249- 14) 22) Oil level and oil temperature sender -G266- 14) Exhaust flap control unit -J883- 14) 22) Exhaust flap control unit 2 -J945- 14) 22) Injector 2 for cylinder 1 -N532- 5) Injector 2 for cylinder 2 -N533- 5) Injector 2 for cylinder 3 -N534- 5) Injector 2 for cylinder 4 -N535- 5) Actuator 1 for camshaft adjustment -F366- 5) Actuator 2 for camshaft adjustment -F367- 5) Actuator 3 for camshaft adjustment -F368- 5) Actuator 4 for camshaft adjustment -F369- 5) Actuator 5 for camshaft adjustment -F370- 5) Actuator 6 for camshaft adjustment -F371- 5) Actuator 7 for camshaft adjustment -F372- 5) Actuator 8 for camshaft adjustment -F373- 5) Fuel pressure regulating valve -N276- 2) Fuel metering valve -N290- 2)	87

Slot	Current flow diagram designation	Nominal value	Function/component	Terminal
			Camshaft control valve 1 -N205- 2) Relay for gas shut-off valves -J908- 6) Gas injection valve 1 -N366- 6) Gas injection valve 2 -N367- 6) Gas injection valve 3 -N368- 6) Gas injection valve 4 -N369- 6) Coolant valve for gearbox -N488- 13) Coolant pump for high-temperature circuit -V467- 13) Coolant circulation pump 2 -V178- 13)	
F6	Fuse 6 on fuse holder B -SB6-	5 A 31) 7.5 A 32)	Brake light switch -F-  Brake pedal switch -F63-	87
F7	Fuse 7 on fuse holder B -SB7-	10 A 2) 3) 4) 18) 20) 27) 5 A 5) 7) 7.5 A 5) 8) 15 A 13) 5 A 14) 22) 31) 7.5 A 14) 22) 32)	Fuel pressure regulating valve -N276- 3) 4) 6) 20) 30)  Fuel metering valve -N290- 4) 30) Solenoid valve for coolant circuit -N492- 14) Coolant circulation pump -V50- 14) Additional coolant pump relay -J496- 14) Switch valve for mechanical coolant pump -N649- 22) Coolant shut-off valve -N82- 22) Continued coolant circulation pump -V51- 6) 22) Ethanol concentration sender -G708- 18) Continued coolant circulation pump -V51- 3) 4) 18) 20) 27) Coolant shut-off valve -N82- 5) Exhaust flap control unit -J883- 27) Coolant valve for gearbox -N488- 5)	87

Slot	Current flow diagram designation	Nominal value	Function/component	Terminal
			Valve for oil pressure control -N428- 2) Coolant valve for cylinder head -N489- 2) Charge air cooling pump -V188- 2) 4) 29) 33) Auxiliary pump for heating -V488- 2) Fuel system diagnostic pump -V144- 4) 29) Coolant changeover valve 1 -N632- 13) Coolant changeover valve 2 -N633- 13) Coolant pump for low-temperature circuit -V468- 13)	
F8	Fuse 8 on fuse holder B -SB8-	10 A <sup>2) 3) 4) 6) 20) 27)</sup> 15 A <sup>5) 9) 13) 14) 22)</sup>	Lambda probe heater -Z19-  Control unit for NOx sender -GX30- Control unit for NOx sender 2 -J881- Lambda probe 1 heater after catalytic converter -Z29-	87
F9	Fuse 9 on fuse holder B -SB9-	20 A <sup>3) 4) 6) 20) 22) 27)</sup> 10 A <sup>5) 14)</sup> 5 A <sup>2) 31)</sup> 7.5 A <sup>2) 32)</sup>	Ignition coil 1 with output stage -N70- 3) 4) 6) 20) 27)  Secondary air inlet valve -N112- 5) Camshaft control valve 1 -N205- 14) 22) Exhaust camshaft control valve 1 -N318- 14) 22) Exhaust cam actuator for cylinder 1 -N579- 22) Exhaust cam actuator for cylinder 2 -N587- 22) Exhaust cam actuator for cylinder 3 -N595- 22) Exhaust cam actuator for cylinder 4 -N603- 22) Exhaust cam actuator for cylinder 5 -N611- 22) Ignition coil 2 with output stage -N127- 3) 4) 6) 20) 27) Ignition coil 3 with output stage -N291- 3) 4) 6) 20) 27) Ignition coil 4 with output stage -N292- 3) 4) 6) 27) Exhaust flap control unit -J883- 5)	87

Slot	Current flow diagram designation	Nominal value	Function/component	Terminal
			Activated charcoal filter solenoid valve 1 -N80- 5) Camshaft control valve 1 -N205- 5) Exhaust camshaft control valve 1 -N318- 5) Continued coolant circulation pump -V51- 5) Automatic glow period control unit -J179- 2) Air mass meter -G70- 2) Heater element for crankcase breather -N79- 2) Fuel tank shut-off valve -N288- 13)	
F10	Fuse 10 on fuse holder B -SB10-	15 A 1) 6) 20 A 2) 14) 22)	Fuel pump control unit -J538-	87
F11	Fuse 11 on fuse holder B -SB11-	40 A 2) 50 A 5) 13)	Auxiliary air heater element -Z35- 2)  Secondary air pump motor -V101- 5) 13)	87
F12	Fuse 12 on fuse holder B -SB12-	40 A 2) 20 A 4) 27) 29) 33)	Auxiliary air heater element -Z35- 2)  Vacuum pump for brakes -V192- 4) 27) 29) 33)	87
F13	Fuse 13 on fuse holder B -SB13-	15 A 10) 15) 16) 31) 30 A 11) 17) 31) 30 A 32)	Mechatronic unit for dual clutch gearbox -J743- 10) 11) 15) 16) 31)  Automatic gearbox control unit -J217- 17) 31) Auxiliary hydraulic pump 1 for gearbox oil -V475- 32)	30
F14	Fuse 14 on fuse holder B -SB14-	30 A 14) 22)	Ignition coil 1 with output stage -N70- 14) 22) Ignition coil 2 with output stage -N127- 14) 22) Ignition coil 3 with output stage -N291- 14) 22) Ignition coil 4 with output stage -N292- 14) 22) Ignition coil 5 with output stage -N323- 14) 22)	87
F15	Fuse 15 on fuse holder B -SB15-	15 A	Horn relay -J413-	30

Slot	Current flow diagram designation	Nominal value	Function/component	Terminal
F16	Fuse 16 on fuse holder B -SB16-	5 A <sup>6) 31)</sup> 7.5 A <sup>6) 32)</sup> 10 A <sup>13)</sup> 20 A <sup>5)</sup> 30 A <sup>14) 22)</sup>	Relay for gas shut-off valves -J908- <sup>6)</sup>  Fuel tank shut-off valve 1 -N361- <sup>6)</sup> Fuel tank shut-off valve 2 -N362- <sup>6)</sup> Fuel tank shut-off valve 3 -N363- <sup>33)</sup> Engine component current supply relay -J757- <sup>5) 14)</sup> Engine component current supply relay 2 -J976- <sup>22)</sup> Ignition coil 1 with output stage -N70- <sup>5)</sup> Ignition coil 2 with output stage -N127- <sup>5)</sup> Ignition coil 3 with output stage -N291- <sup>5)</sup> Ignition coil 4 with output stage -N292- <sup>5)</sup> Power and control electronics for electric drive -JX1- <sup>13)</sup> High-voltage battery charger control unit -J1050- <sup>13)</sup> Fuse 14 on fuse holder B -SB14- <sup>14)</sup> Fuse 31 on fuse holder B -SB31- <sup>14)</sup>	30
F17	Fuse 17 on fuse holder B -SB17-	7.5 A	Main relay -J271- <sup>1) 6)</sup> Terminal 30 voltage supply relay -J317- <sup>2)</sup> Engine control unit -J623- ABS control unit -J104-	30
F18	Fuse 18 on fuse holder B -SB18-	5 A <sup>31)</sup> 7.5 A <sup>32)</sup>	Battery monitor control unit -J367-  Data bus diagnostic interface -J533-	30
F19	Fuse 19 on fuse holder B -SB19-	30 A	Wiper motor control unit -J400-	30
F20	Fuse 20 on fuse holder B -SB20-	10 A	Alarm horn -H12-	30
F21	Fuse 21 on fuse holder B -SB21-	15 A <sup>10) 15)</sup> <sup>16) 32)</sup> 30 A <sup>11) 17)</sup> <sup>32)</sup>	Mechatronic unit for dual clutch gearbox -J743- <sup>10) 11) 15) 16) 32)</sup>  Automatic gearbox control unit -J217- <sup>17) 32)</sup>	30

Slot	Current flow diagram designation	Nominal value	Function/component	Terminal
F22	Fuse 22 on fuse holder B -SB22-	5 A <sup>31)</sup> 7.5 A <sup>32)</sup>	Engine control unit -J623-	50
F23	Fuse 23 on fuse holder B -SB23-	30 A	Starter -B-	50
F24	Fuse 24 on fuse holder B -SB24-	40 A	Auxiliary air heater element -Z35- <sup>2)</sup> Brake servo -NX6- <sup>13)</sup>	87 <sup>2)</sup> 30 <sup>13)</sup>
F25	not assigned	-		-
F26	not assigned	-		-
F27	not assigned	-		-
F28	not assigned	-		-
F29	not assigned	-		-
F30	not assigned	-		-
F31	Fuse 31 on fuse holder B -SB31-	5 A <sup>7) 12)</sup> 7.5 A <sup>13)</sup> 15 A <sup>8)</sup> 10 A <sup>14) 22)</sup> 5 A <sup>4) 27) 29)</sup> 31) 7.5 A <sup>4) 27)</sup> 29) 32) 33)	Output module for left headlight -J667- <sup>7) 12)</sup>  Vacuum pump relay -J318- <sup>4) 27) 29) 33)</sup> Injector 2 for cylinder 1 -N532- <sup>22)</sup> Injector 2 for cylinder 2 -N533- <sup>22)</sup> Injector 2 for cylinder 3 -N534- <sup>22)</sup> Injector 2 for cylinder 4 -N535- <sup>22)</sup> Injector 2 for cylinder 5 -N536- <sup>22)</sup> Fuel metering valve -N290- <sup>14)</sup> Vacuum pump relay -J57- <sup>8)</sup> Vacuum pump for brakes -V192- <sup>8)</sup> Coolant circulation pump before power and control electronics for electric drive -V508- <sup>13)</sup>	87
F32	Fuse 32 on fuse holder B -SB32-	5 A	Output module for right headlight -J668- <sup>12) 21)</sup> Output module for left headlight -J667- <sup>8) 12) 21)</sup>	87

Slot	Current flow diagram designation	Nominal value	Function/component	Terminal
F33	Fuse 33 on fuse holder B -SB33-	30 A	Brake system pressure accumulator -VX70- <sup>13)</sup> Auxiliary hydraulic pump 1 for gearbox oil -V475- <sup>28)</sup>	30
F34	Fuse 34 on fuse holder B -SB34-	5 A <sup>31)</sup> 7.5 A <sup>32)</sup>	Brake servo -NX6- <sup>13)</sup>	30
F35	Fuse 35 on fuse holder B -SB35-	7.5 A	Air conditioning system relay -J32- <sup>13)</sup> Pressure sender for refrigerant circuit -G805- <sup>13)</sup> Refrigerant pressure and temperature sender -G395- <sup>13)</sup> Control unit for air conditioning compressor -J842- <sup>13)</sup> High voltage heater (PTC) control unit -J848- <sup>13)</sup>	30
F36	not assigned			
F37	Fuse 37 on fuse holder B -SB37-	20 A	Auxiliary heater control unit -J364-	30
F38	Fuse 38 on fuse holder B -SB38-	20 A	Vacuum pump relay -J57- <sup>7)</sup>	30

- 1) for models with petrol engine only
- 2) for models with diesel engine only
- 3) for models with 1.2l engine only
- 4) for models with 1.4 l engine only
- 5) for models with 1.8 l or 2.0 l engine only
- 6) for CNG models only
- 7) up to April 2013
- 8) from May 2013
- 9) for models with engine code CPTA, CZEA only
- 10) for models with dual clutch gearbox 0D9 only
- 11) for models with dual clutch gearbox 0CW only
- 12) for models with LED headlights only
- 13) for models with hybrid drive only
- 14) for RS3 only
- 15) for models with dual clutch gearbox 0BH only

- 16) for models with dual clutch gearbox 0DE only
- 17) for models with 6-speed automatic gearbox only
- 18) for models with Brazil equipment only
- 19) from November 2015
- 20) for models with 1.0l engine only
- 21) up to April 2016
- 22) for RS3, engine code DAZA only
- 23) for models with 2.5 cross-section only
- 24) for models with 4.0 cross-section only
- 25) from May 2017
- 26) up to April 2017
- 27) for models with 1.5l engine only
- 28) for models with dual clutch gearbox (DSG), (0IJ), only
- 29) for models with China equipment only
- 30) according to equipment
- 31) up to June 2018
- 32) from July 2018
- 33) for CNG models only, from November 2018

## **1.12 Fitting location of fuse holder C -SC-**

A - Fuse holder C -SC- , => [page 28](#)

**Fuse colours for MAXI fuse:**

- ◆ 80 A - natural (white)
- ◆ 30 A - green

**Fuse colours for J-Case fuse:**

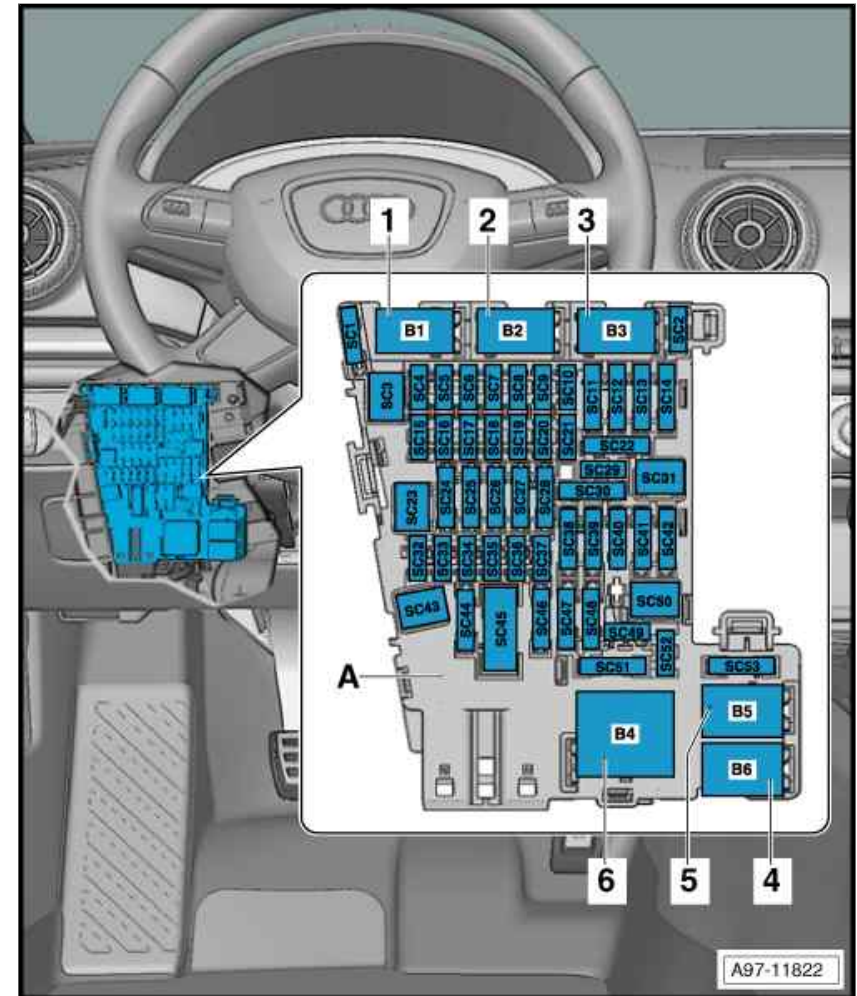
- ◆ 50 A - red
- ◆ 40 A - green
- ◆ 30 A - pink
- ◆ 20 A - blue

**Fuse colours for ATO flat fuse:**

- ◆ 30 A - light green
- ◆ 25 A - natural (white)
- ◆ 20 A - yellow
- ◆ 15 A - light blue
- ◆ 10 A - red
- ◆ 7.5 A - brown
- ◆ 5 A - light brown
- ◆ 1A - black

**Fuse colours, for mini fuses:**

- ◆ 15 A - light blue
- ◆ 10 A - red
- ◆ 7.5 A - brown
- ◆ 5 A - light brown
- ◆ 1A - black



### 1.13 Fuse assignment for fuse holder C -SC-

Slot	Current flow diagram designation	Nominal value	Function/component	Terminal
F1	Fuse 1 on fuse holder C -SC1-	30 A	Control unit for reducing agent metering system -J880-	30

Slot	Current flow diagram designation	Nominal value	Function/component	Terminal
F2	Fuse 2 on fuse holder C -SC2-	10 A <sup>1)</sup>	Driver seat lumbar support adjustment switch -E176- <sup>1)</sup> Front passenger seat lumbar support adjustment switch -E177- <sup>1)</sup> Driver seat lumbar support longitudinal adjustment motor -V125- <sup>1)</sup> Front passenger seat lumbar support longitudinal adjustment motor -V126- <sup>1)</sup> Driver seat lumbar support height adjustment motor -V129- <sup>1)</sup> Front passenger seat lumbar support height adjustment motor -V130- <sup>1)</sup>	30
F3	Fuse 3 on fuse holder C -SC3-	40 A	Convertible roof actuation hydraulic pump relay -J321- Hydraulic pump relay 2 for convertible roof -J588- Convertible roof actuation hydraulic pump -V118-	30
F4	Fuse 4 on fuse holder C -SC4-	7.5 A	Multimedia system operating unit -E380- Control unit 1 for information electronics -J794-	30
F5	Fuse 5 on fuse holder C -SC5-	5 A <sup>27)</sup> 7.5 A <sup>28)</sup>	Data bus diagnostic interface -J533-	30
F6	Fuse 6 on fuse holder C -SC6-	5 A <sup>27)</sup> 7.5 A <sup>28)</sup>	Selector lever -E313- <sup>15)</sup> Anti-theft alarm sensor -G578- <sup>16)</sup>	30
F7	Fuse 7 on fuse holder C -SC7-	10 A	Heated rear window relay -J9- Heater control unit -J65- Climatronic control unit -J255- Air conditioning system control unit -J301- Selector lever -E313- <sup>16)</sup> Remote control receiver for auxiliary heater -R64-	30
F8	Fuse 8 on fuse holder C -SC8-	10 A	Light switch -E1- Electromechanical parking brake button -E538- Humidity sender -G355- Rain and light sensor -G397- Anti-theft alarm sensor -G578- <sup>15)</sup> 16-pin connector -T16- Emergency call module control unit and communication unit -J949- Control unit for cornering light and headlight range control -J745- <sup>19)</sup> Front roof module -WX3-	30

Slot	Current flow diagram designation	Nominal value	Function/component	Terminal
F9	Fuse 9 on fuse holder C -SC9-	1 A <sup>1)</sup> 5 A <sup>15) 27)</sup> 7.5 A <sup>28)</sup>	Steering column electronics control unit -J527- <sup>1) 15)</sup>	30
F10	Fuse 10 on fuse holder C -SC10-	5 A <sup>27)</sup> 7.5 A <sup>28)</sup>	Display unit for front information display and operating unit control unit -J685-	30
F11	Fuse 11 on fuse holder C -SC11-	15 A <sup>2) 20)</sup> 25 A <sup>1) 20)</sup> 40 A <sup>19)</sup>	All-wheel drive control unit -J492- <sup>2) 20)</sup>  Front left belt tensioner control unit -J854- <sup>1) 20)</sup> Onboard supply control unit -J519- <sup>19)</sup>	30
F12	Fuse 12 on fuse holder C -SC12-	15 A <sup>4)</sup> 20 A <sup>3)</sup>	Control unit 1 for information electronics -J794-	30
F13	Fuse 13 on fuse holder C -SC13-	20 A <sup>20)</sup> 15 A <sup>9) 20)</sup> 25 A <sup>19)</sup>	Electronically controlled damping control unit -J250- <sup>20)</sup>  Front left belt tensioner control unit -J854- <sup>1) 19)</sup> Maintenance connector for high-voltage system -TW- <sup>9) 20)</sup>	30
F14	Fuse 14 on fuse holder C -SC14-	30 A <sup>21)</sup> 40 A <sup>22)</sup>	Fresh air blower control unit -J126-	30
F15	Fuse 15 on fuse holder C -SC15-	10 A	Control unit for electronic steering column lock -J764- Entry and start authorisation control unit -J518- <sup>28)</sup>	30
F16	Fuse 16 on fuse holder C -SC16-	7.5 A	Chip card reader control unit -J676- TV tuner -R78- Aerial amplifier for mobile telephone -R86- Telephone bracket -R126- Connection for external audio sources -R199-	30
F17	Fuse 17 on fuse holder C -SC17-	5 A <sup>27)</sup> 7.5 A <sup>28)</sup> 10 A <sup>3) 29)</sup>	Control unit in dash panel insert -J285-	30
F18	Fuse 18 on fuse holder C -SC18-	7.5 A	Reversing camera system control unit -J772-	30
F19	Fuse 19 on fuse holder C -SC19-	7.5 A	Entry and start authorisation control unit -J518- <sup>27)</sup> Interface control unit for vehicle location system -J843-	30
F20	Fuse 20 on fuse holder C -SC20-	15 A <sup>2)</sup> 7.5 A <sup>5) 6) 7)</sup>	Driver seat lumbar support adjustment switch -E176- <sup>2)</sup>	30

Slot	Current flow diagram designation	Nominal value	Function/component	Terminal
			Front passenger seat lumbar support adjustment switch -E177- 2) Driver seat lumbar support longitudinal adjustment motor -V125- 2) Front passenger seat lumbar support longitudinal adjustment motor -V126- 2) Driver seat lumbar support height adjustment motor -V129- 2) Front passenger seat lumbar support height adjustment motor -V130- 2) Control unit for fuel tank leak detection -J909- 5) 7) Relay for reducing agent metering system -J963- 6) 7)	
F21	Fuse 21 on fuse holder C -SC21-	10 A 17)	Steering column electronics control unit -J527-	30
F22	not assigned	-		-
F23	Fuse 23 on fuse holder C -SC23-	40 A 20) 20 A 19) 25) 30 A 8) 19)	Onboard supply control unit -J519- 20) Convertible roof actuation control unit -J256- 8) 19) Sliding sunroof adjustment control unit -J245- 19) 25)	30
F24	Fuse 24 on fuse holder C -SC24-	20 A 20) 25) 30 A 8) 20) 40 A 19)	Sliding sunroof adjustment control unit -J245- 20) 25) Onboard supply control unit -J519- 19) Convertible roof actuation control unit -J256- 8) 20)	30
F25	Fuse 25 on fuse holder C -SC25-	30 A	Driver door control unit -J386- Rear driver side door control unit -J926- Control unit with rear driver side window regulator motor -J1016- Rear left window regulator motor -V26-	30
F26	Fuse 26 on fuse holder C -SC26-	30 A	Onboard supply control unit -J519- ♦ Front seat heating	30
F27	Fuse 27 on fuse holder C -SC27-	30 A	Digital sound package control unit -J525- 20) Onboard supply control unit -J519- 19)	30
F28	Fuse 28 on fuse holder C -SC28-	5 A 7) 8) 27) 7.5 A 8) 28) 20 A 2)	Convertible roof actuation control unit -J256- 8) Trailer detector control unit -J345- 2)	30
F29	Fuse 29 on fuse holder C -SC29-	7.5 A	Glove compartment light switch -E26-	30

Slot	Current flow diagram designation	Nominal value	Function/component	Terminal
			Driver side vanity mirror contact switch -F147- Front passenger side vanity mirror contact switch -F148- Glove compartment light -W6- Front passenger side illuminated vanity mirror -W14- Left luggage compartment light -W18- Driver side illuminated vanity mirror -W20- Right luggage compartment light -W35- Front roof module -WX3- Front interior light -WX1- Special vehicle control unit -J608-	
F30	Fuse 30 on fuse holder C -SC30-	25 A <sup>2)</sup> 10 A <sup>19)</sup>	Seat belt tensioner relay -J669- <sup>2)</sup>  Maintenance connector for high-voltage system -TW- <sup>9) 19)</sup> Control unit for front left belt tensioner -J854- <sup>2)</sup>	30
F31	Fuse 31 on fuse holder C -SC31-	40 A <sup>20)</sup>	Onboard supply control unit -J519- <sup>20)</sup>	30
F32	Fuse 32 on fuse holder C -SC32-	7.5 A	Adaptive cruise control unit -J428- Parking aid control unit -J446- Park assist steering control unit -J791- Lane change assist control unit -J769- Lane change assist control unit 2 -J770- Front camera for driver assist systems -R242-	15
F33	Fuse 33 on fuse holder C -SC33-	5 A <sup>27)</sup> 7.5 A <sup>28)</sup>	Airbag control unit -J234-  Front passenger side airbag deactivated warning lamp -K145-	15
F34	Fuse 34 on fuse holder C -SC34-	7.5 A	Auto-hold button -E540- Reversing light switch -F4- Pressure sender for refrigerant circuit -G805- Relay for power sockets -J807- Control unit for structure-borne sound -J869- Seat belt tensioner relay -J669- <sup>2)</sup>	15
F35	Fuse 35 on fuse holder C -SC35-	10 A <sup>27) 29)</sup> 7.5 A <sup>28) 30)</sup>	Headlight range control regulator -E102-  Interior mirror -EX5-	15

Slot	Current flow diagram designation	Nominal value	Function/component	Terminal
			Air quality sensor -G238- Humidity sender in fresh air intake duct -G657- Control unit for cornering light and headlight range control -J745- Headlight range control unit -J431- 16-pin connector -T16- Left headlight range control motor -V48- Right headlight range control motor -V49-	
F36	Fuse 36 on fuse holder C -SC36-	15 A <sup>24) 26)</sup> 10 A <sup>14) 24)</sup> 7.5 A <sup>14) 28)</sup>	Front right headlight -MX2-	15
F37	Fuse 37 on fuse holder C -SC37-	15 A <sup>24) 26)</sup> 10 A <sup>14) 24)</sup> 7.5 A <sup>14) 28)</sup>	Front left headlight -MX1-	15
F38	Fuse 38 on fuse holder C -SC38-	20 A <sup>2)</sup> 15 A <sup>9)</sup>	Trailer detector control unit -J345- <sup>2)</sup> Hybrid battery unit -AX1- <sup>9)</sup>	30
F39	Fuse 39 on fuse holder C -SC39-	30 A	Front passenger door control unit -J387- Rear passenger side door control unit -J927- Control unit with rear passenger side window regulator motor -J1017- Rear right window regulator motor -V27-	30
F40	Fuse 40 on fuse holder C -SC40-	20 A	Electric socket -U- Cigarette lighter -U1- 12 V socket -U5-	87
F41	Fuse 41 on fuse holder C -SC41-	1 A <sup>2)</sup> 25 A <sup>1)</sup>	Steering column electronics control unit -J527- <sup>2)</sup> Control unit for front right belt tensioner -J855- <sup>1)</sup>	30
F42	Fuse 42 on fuse holder C -SC42-	40 A	Onboard supply control unit -J519-	30
F43	Fuse 43 on fuse holder C -SC43-	30 A	Onboard supply control unit -J519- <sup>20)</sup> Digital sound package control unit -J525- <sup>19)</sup>	30
F44	Fuse 44 on fuse holder C -SC44-	15 A	Trailer detector control unit -J345- <sup>2)</sup> All-wheel drive control unit -J492- <sup>1)</sup>	30

Slot	Current flow diagram designation	Nominal value	Function/component	Terminal
F45	Fuse 45 on fuse holder C -SC45-	15 A	Driver seat adjustment operating unit -E470- ◆ Electrically adjustable driver seat  Driver seat lumbar support adjustment switch -E176-	30
F46	not assigned	-		-
F47	Fuse 47 on fuse holder C -SC47-	15 A	Rear window wiper motor -V12-	15
F48	Fuse 48 on fuse holder C -SC48-	10 A <sup>9)</sup> 5 A <sup>13) 14)</sup> 18)	Front left headlight -MX1- <sup>14) 18)</sup>  Front right headlight -MX2- <sup>14) 18)</sup> Engine sound generator control unit -J943- <sup>9)</sup>	15
F49	Fuse 49 on fuse holder C -SC49-	5 A <sup>27)</sup> 7.5 A <sup>28)</sup>	Clutch position sender -G476-  Starter relay 1 -J906- Starter relay 2 -J907- Hybrid battery unit -AX1- <sup>9)</sup> Power and control electronics for electric drive -JX1- <sup>9)</sup> Current supply relay -J16-	15
F50	not assigned			
F51	Fuse 51 on fuse holder C -SC51-	25 A <sup>2)</sup>	Control unit for front right belt tensioner -J855- <sup>2)</sup>	15
F52	Fuse 52 on fuse holder C -SC52-	15 A <sup>19)</sup>	Electronically controlled damping control unit -J250- <sup>19)</sup>	30
F53	Fuse 53 on fuse holder C -SC53-	30 A <sup>10) 12)</sup> 40 A <sup>11)</sup> 20 A <sup>8)</sup>	Heated rear window relay -J9-  Heated rear window -Z1-	30

1) from May 2013

2) up to April 2013

3) for models with MMI only

4) for models with radio only

5) for models with petrol engine only

6) for models with diesel engine only

- 7) from November 2013
- 8) for Cabriolet only
- 9) for models with hybrid drive only
- 10) for 3-door models only
- 11) for 4-door models only
- 12) for 5-door models only
- 13) for RS3 only
- 14) for models with LED headlights only
- 15) from May 2015
- 16) up to April 2015
- 17) for models with heated steering wheel only
- 18) up to April 2016
- 19) from May 2017
- 20) up to April 2017
- 21) for models with 2.5 cross-section only
- 22) for models with 4.0 cross-section only
- 23) for models with 1.5 cross-section only
- 24) Fuse rating is dependent on cross-section
- 25) for models with sliding sunroof only
- 26) for models with Matrix LED headlights only
- 27) up to June 2018
- 28) from July 2018
- 29) for models with 0.75 cross-section only
- 30) for models with 0.5 cross-section only

**Note**

*On models with hybrid drive, fuse SC13 bears an emergency marking. When changing this fuse, an emergency marking must be affixed to it.*

**1.14 Fitting location of fuse holder D -SD-****1.14.1 Fitting location of fuse holder D -SD- , left-hand drive**

**A - Fuse holder D -SD-**

**Fuse colours for MAXI fuse:**

- ◆ 80 A - natural (white)
- ◆ 30 A - green

**Fuse colours for J-Case fuse:**

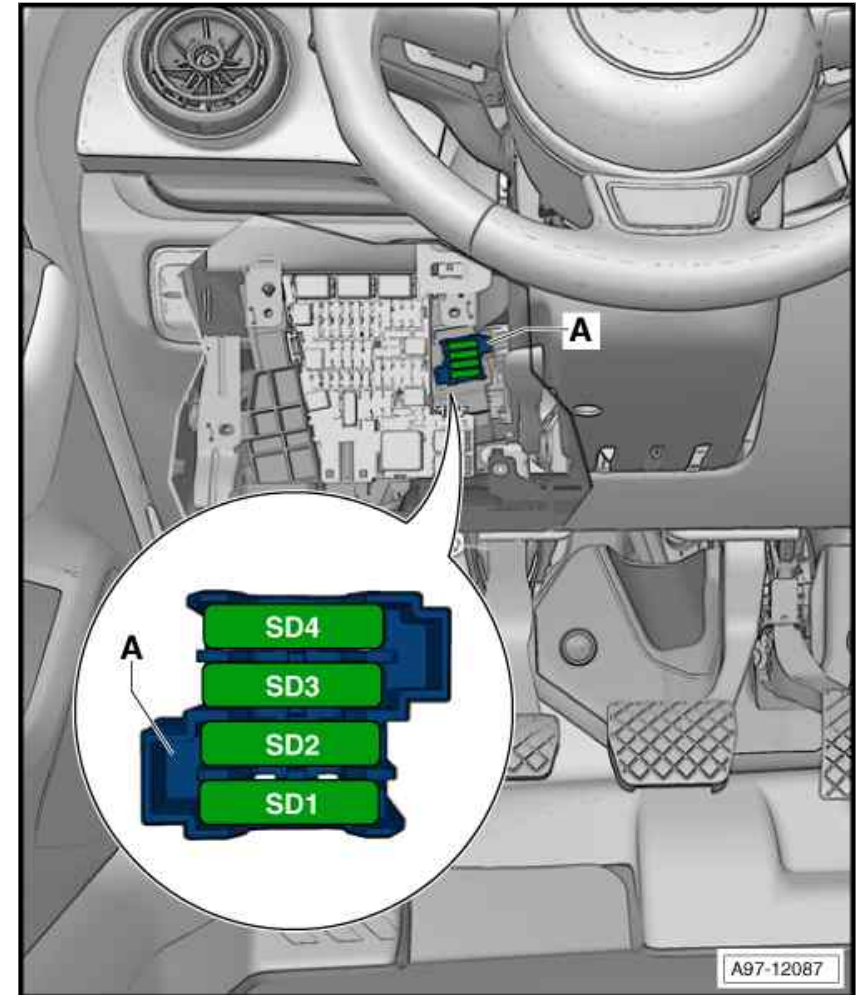
- ◆ 50 A - red
- ◆ 40 A - green
- ◆ 30 A - pink
- ◆ 20 A - blue

**Fuse colours for ATO flat fuse:**

- ◆ 30 A - light green
- ◆ 25 A - natural (white)
- ◆ 20 A - yellow
- ◆ 15 A - light blue
- ◆ 10 A - red
- ◆ 7.5 A - brown
- ◆ 5 A - light brown
- ◆ 1A - black

**Fuse colours, for mini fuses:**

- ◆ 15 A - light blue
- ◆ 10 A - red
- ◆ 7.5 A - brown
- ◆ 5 A - light brown
- ◆ 1A - black



A97-12087

1.14.2 Fitting location of fuse holder D -SD- , right-hand drive

**E - Fuse holder D -SD-**

**Fuse colours for MAXI fuse:**

- ◆ 80 A - natural (white)
- ◆ 30 A - green

**Fuse colours for J-Case fuse:**

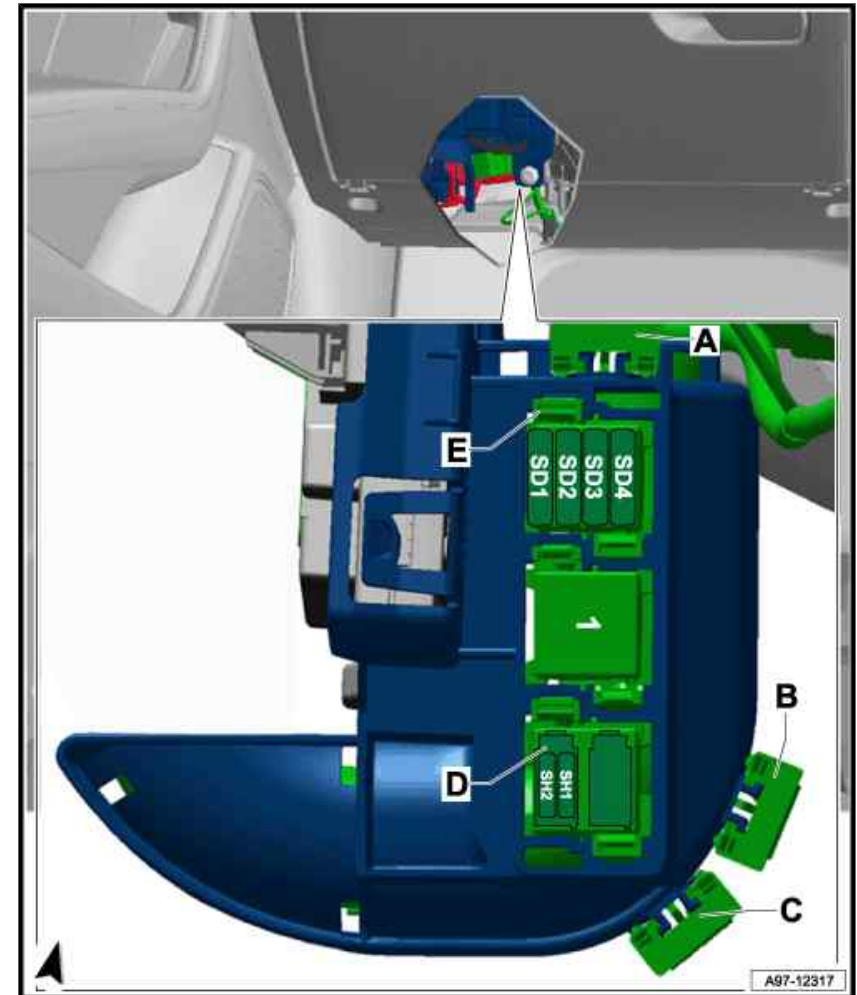
- ◆ 50 A - red
- ◆ 40 A - green
- ◆ 30 A - pink
- ◆ 20 A - blue

**Fuse colours for ATO flat fuse:**

- ◆ 30 A - light green
- ◆ 25 A - natural (white)
- ◆ 20 A - yellow
- ◆ 15 A - light blue
- ◆ 10 A - red
- ◆ 7.5 A - brown
- ◆ 5 A - light brown
- ◆ 1A - black

**Fuse colours, for mini fuses:**

- ◆ 15 A - light blue
- ◆ 10 A - red
- ◆ 7.5 A - brown
- ◆ 5 A - light brown
- ◆ 1A - black



**1.15 Fuse assignment fuse holder D -SD- , from March 2012, up to April 2013**

Slot	Current flow diagram designation	Nominal value	Function/component	Terminal
F1	Fuse 1 on fuse holder D -SD1-	15 A	Socket -U- <sup>1)</sup>	15
F2	Fuse 2 on fuse holder D -SD2-	10 A	Special vehicle control unit -J608- <sup>2)</sup>	30
F3	not assigned	-		-
F4	not assigned	-		-

1) for driving school models only

2) for models with driving aids only

**1.16 Fuse assignment for fuse holder D -SD- , from May 2013**

Slot	Current flow diagram designation	Nominal value	Function/component	Terminal
F1	Fuse 1 on fuse holder D -SD1-	20 A	Trailer detector control unit -J345-	30
F2	Fuse 2 on fuse holder D -SD2-	15 A	Trailer detector control unit -J345-	30
F3	Fuse 3 on fuse holder D -SD3-	20 A	Trailer detector control unit -J345-	30
F4	Fuse 4 on fuse holder D -SD4-	15 A	not assigned	-

**1.17 Fuse assignment for fuse holder D -SD- , from May 2014**

Slot	Current flow diagram designation	Nominal value	Function/component	Terminal
F1	Fuse 1 on fuse holder D -SD1-	25 A	Trailer detector control unit -J345-	30
F2	Fuse 2 on fuse holder D -SD2-	15 A	Trailer detector control unit -J345-	30
F3	Fuse 3 on fuse holder D -SD3-	25 A	Trailer detector control unit -J345-	30
F4	Fuse 4 on fuse holder D -SD4-	15 A	Trailer detector control unit -J345-	30

**1.18 Fitting location of fuse holder F -SF- , from May 2013**

**B - Fuse holder F -SF- , => page 40**

**Fuse colours for MAXI fuse:**

- ◆ 80 A - natural (white)
- ◆ 30 A - green

**Fuse colours for J-Case fuse:**

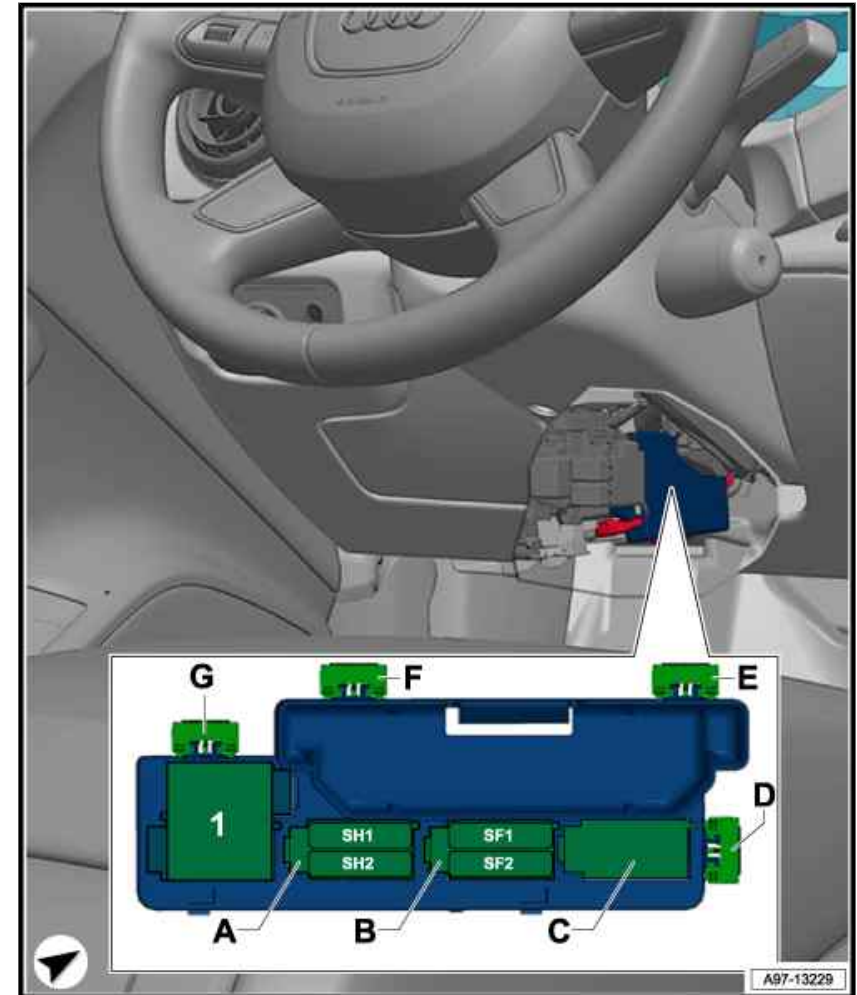
- ◆ 50 A - red
- ◆ 40 A - green
- ◆ 30 A - pink
- ◆ 20 A - blue

**Fuse colours for ATO flat fuse:**

- ◆ 30 A - light green
- ◆ 25 A - natural (white)
- ◆ 20 A - yellow
- ◆ 15 A - light blue
- ◆ 10 A - red
- ◆ 7.5 A - brown
- ◆ 5 A - light brown
- ◆ 1A - black

**Fuse colours, for mini fuses:**

- ◆ 15 A - light blue
- ◆ 10 A - red
- ◆ 7.5 A - brown
- ◆ 5 A - light brown
- ◆ 1A - black



**1.19 Fuse assignment fuse holder F -SF- , from May 2013**

Slot	Current flow diagram designation	Nominal value	Function/component	Terminal
F1	Fuse 1 in fuse holder F -SF1-	15 A	Socket -U- <sup>1)</sup>	15

Slot	Current flow diagram designation	Nominal value	Function/component	Terminal
F2	Fuse 2 in fuse holder F -SF2-	10 A	Special vehicle control unit -J608- <sup>2)</sup>	30

1) for driving school models only

2) for models with driving aids only

**1.20 Fitting location of fuse holder H -SH-**

**1.20.1 Fitting location of fuse holder H -SH- , left-hand drive**

### A - Fuse holder H -SH-

#### Fuse colours for MAXI fuse:

- ◆ 80 A - natural (white)
- ◆ 30 A - green

#### Fuse colours for J-Case fuse:

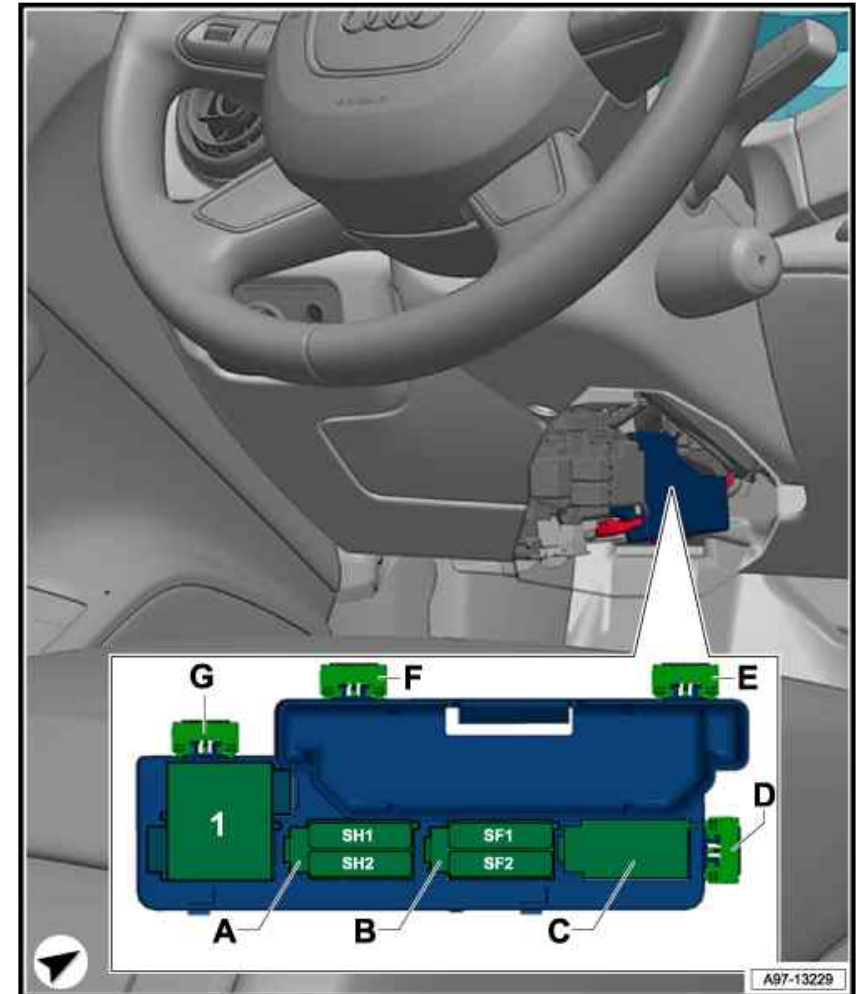
- ◆ 50 A - red
- ◆ 40 A - green
- ◆ 30 A - pink
- ◆ 20 A - blue

#### Fuse colours for ATO flat fuse:

- ◆ 30 A - light green
- ◆ 25 A - natural (white)
- ◆ 20 A - yellow
- ◆ 15 A - light blue
- ◆ 10 A - red
- ◆ 7.5 A - brown
- ◆ 5 A - light brown
- ◆ 1A - black

#### Fuse colours, for mini fuses:

- ◆ 15 A - light blue
- ◆ 10 A - red
- ◆ 7.5 A - brown
- ◆ 5 A - light brown
- ◆ 1A - black



1.20.2 Fitting location of fuse holder H -SH- , right-hand drive

**D - Fuse holder H -SH-**

**Fuse colours for MAXI fuse:**

- ◆ 80 A - natural (white)
- ◆ 30 A - green

**Fuse colours for J-Case fuse:**

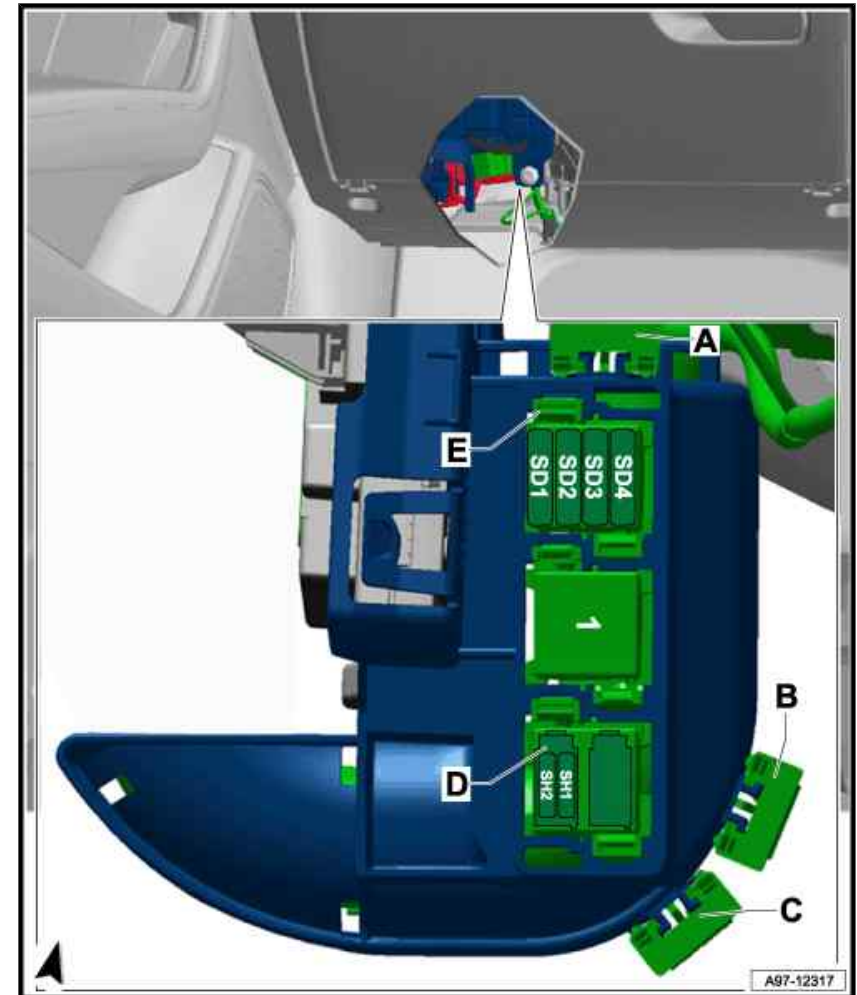
- ◆ 50 A - red
- ◆ 40 A - green
- ◆ 30 A - pink
- ◆ 20 A - blue

**Fuse colours for ATO flat fuse:**

- ◆ 30 A - light green
- ◆ 25 A - natural (white)
- ◆ 20 A - yellow
- ◆ 15 A - light blue
- ◆ 10 A - red
- ◆ 7.5 A - brown
- ◆ 5 A - light brown
- ◆ 1A - black

**Fuse colours, for mini fuses:**

- ◆ 15 A - light blue
- ◆ 10 A - red
- ◆ 7.5 A - brown
- ◆ 5 A - light brown
- ◆ 1A - black



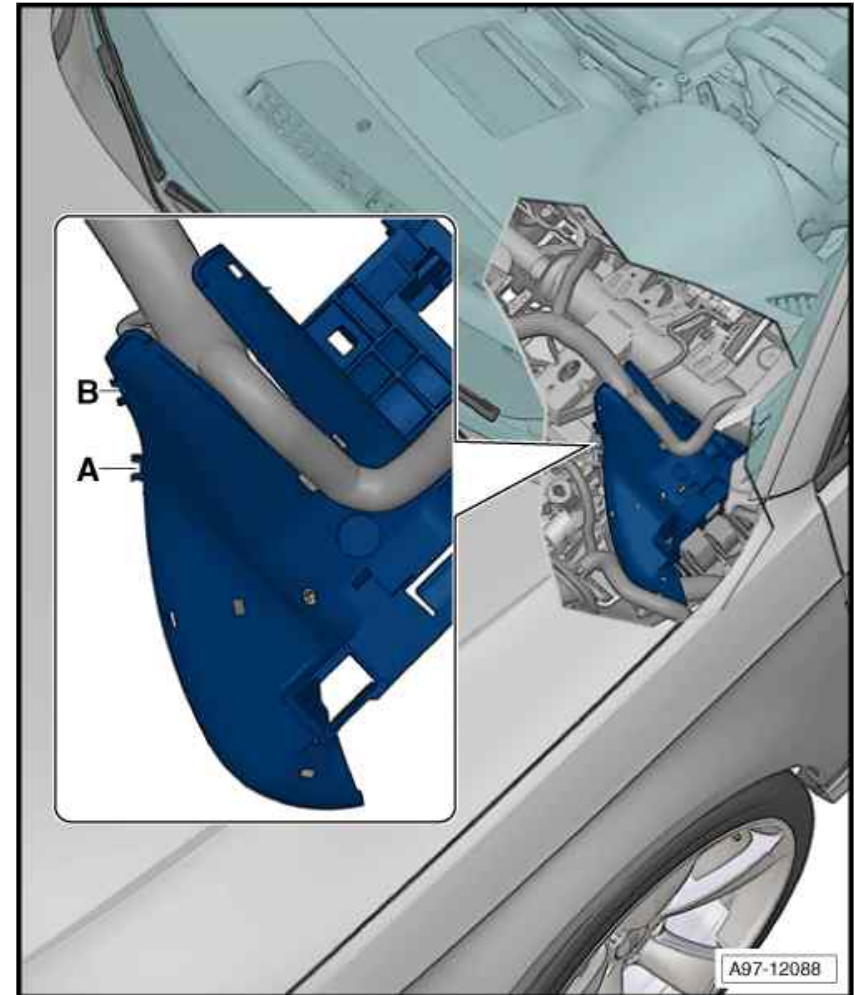
**1.21 Fuse assignment for fuse holder H -SH-**

Slot	Current flow diagram designation	Nominal value	Function/component	Terminal
F1	Fuse 1 in fuse holder H -SH1-	30 A	Control unit for right neck heating -J847- Blower for right neck heating -V451-	87
F2	Fuse 2 in fuse holder H -SH2-	30 A	Control unit for left neck heating -J846- Blower for left neck heating -V450-	87

**1.22 Fuse holder on onboard supply control unit -J519- , left-hand drive**

A - Front passenger seat adjustment thermal fuse 1 -S46- - 15 A

B - Ignore



1.23 Fuse holder on onboard supply control unit -J519- , right-hand drive

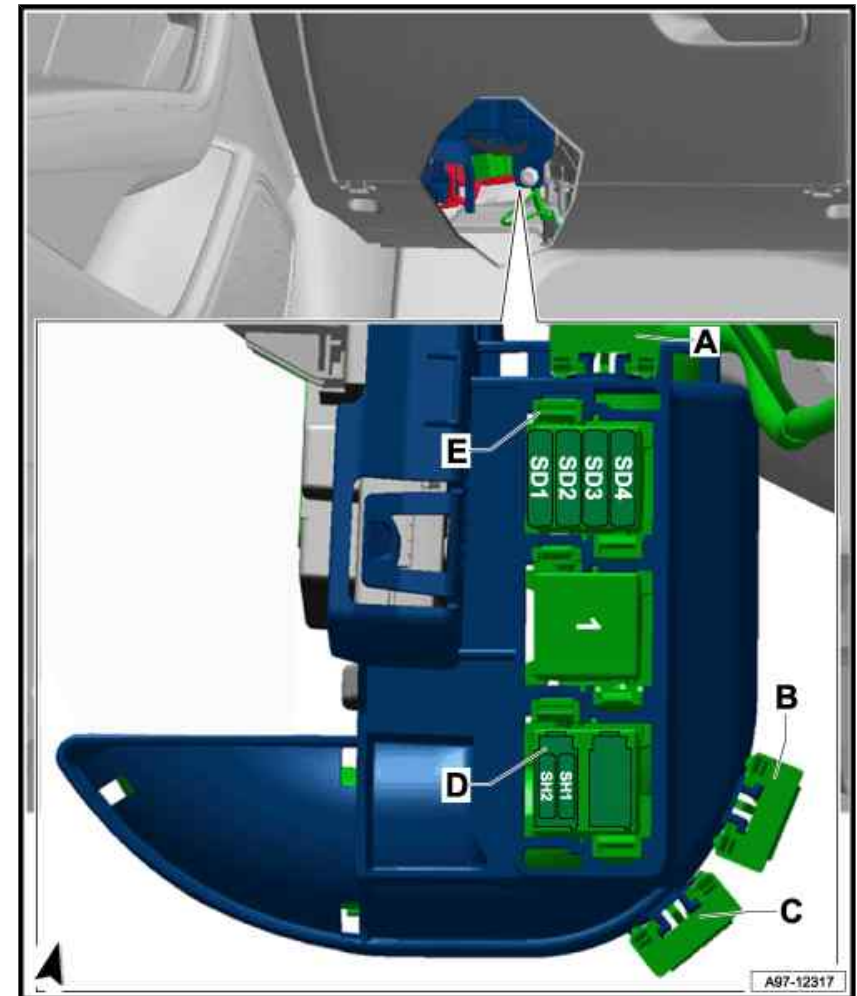
A - Ignore

B - Front passenger seat adjustment thermal fuse 1 -S46- - 15 A

C - Electric socket 1 fuse -S184- , 7.5 A

D - Fuse holder H -SH- , => [page 43](#)

E - Fuse holder D -SD- , => [page 38](#)



1.24 Fuse holder on additional relay carrier, left-hand drive models

A - Fuse holder H -SH- , => [page 41](#)

B - Fuse holder F -SF- , => [page 39](#)

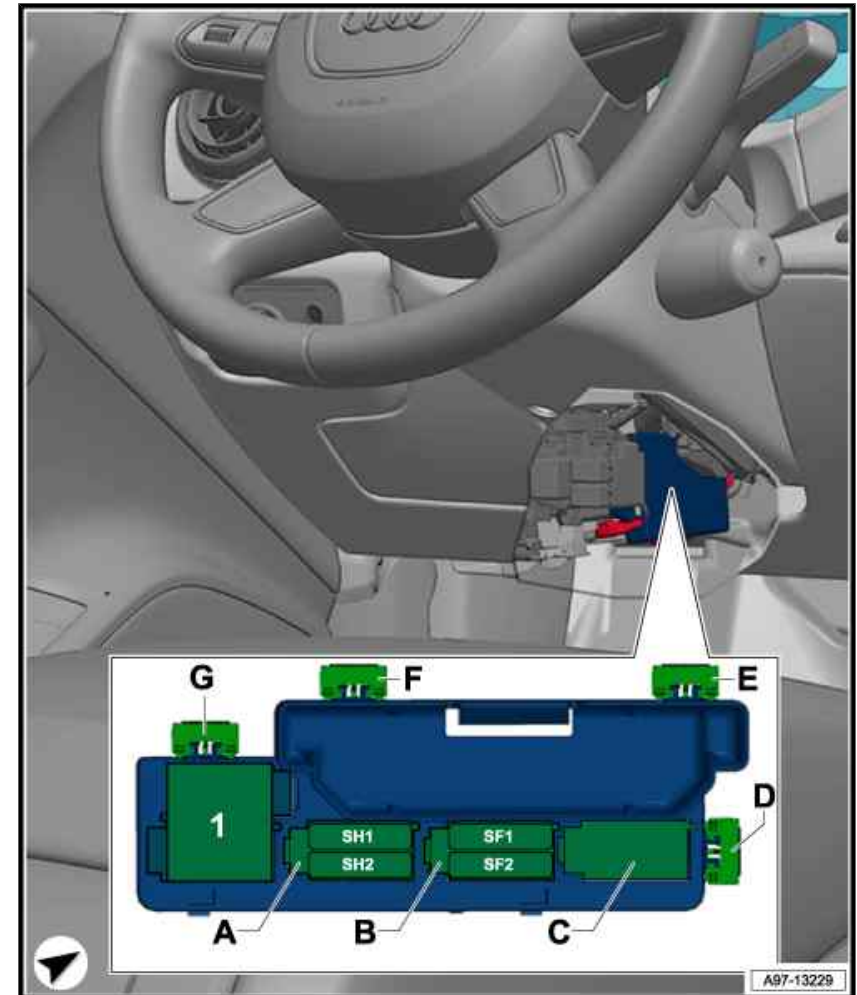
C - Ignore

D - Ignore

E - Ignore

F - Electric socket 1 fuse -S184- , 7.5 A

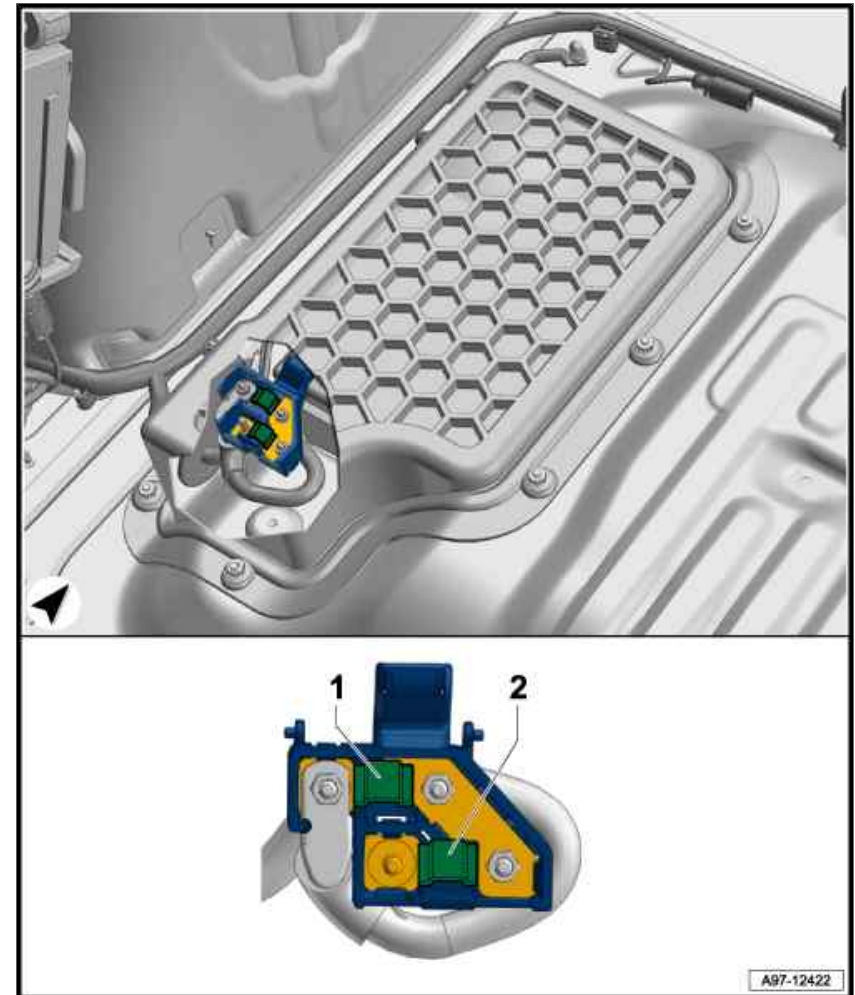
G - Ignore



1.25 Fuse holder for battery in luggage compartment, with hybrid drive

1 - Fuse 1 (30) in fuse holder on battery -S162- - 200 A

2 - Fuse 2 (30) in battery fuse holder -S163-



1.26 Fitting location of fuse holder in main fuse box in luggage compartment, with RS3, up to October 2016

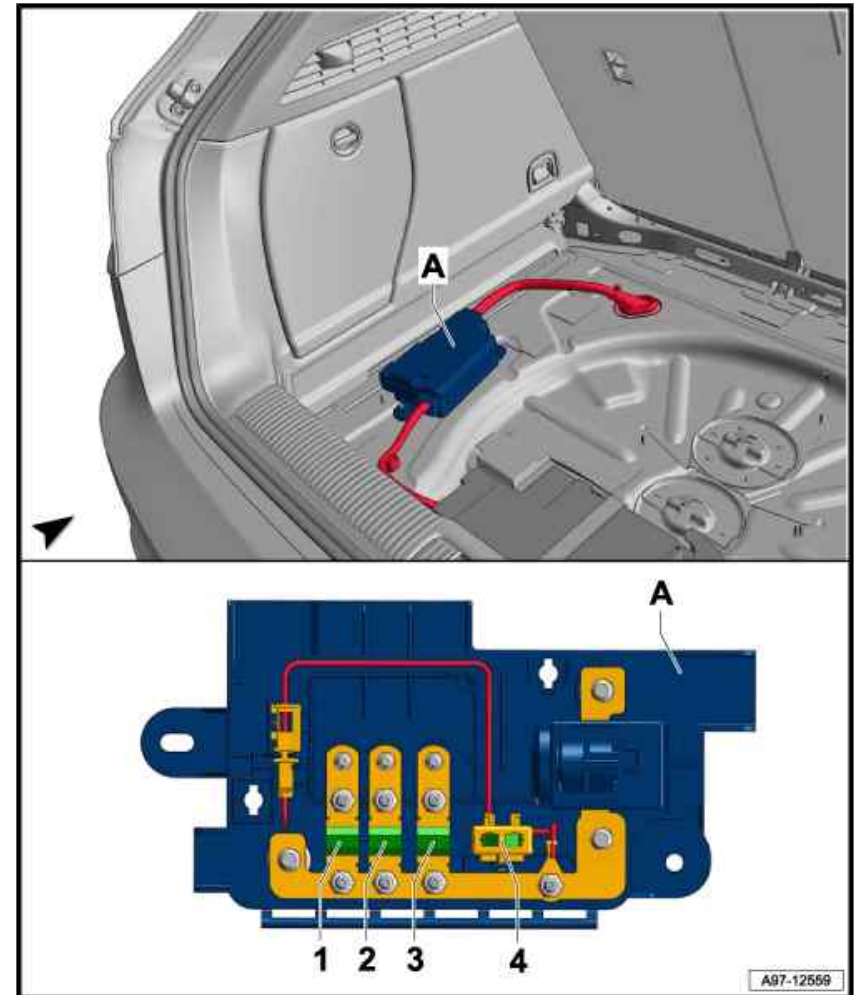
A - Fuse holder in main fuse box in luggage compartment

1 - Fuse 3 -S133-

2 - Fuse 2 -S132-

3 - Fuse 1 -S131-

4 - Fuse 1 in fuse holder -S1-



**1.27 Fitting location of fuse holder in main fuse box in luggage compartment, with RS3, from November 2016**

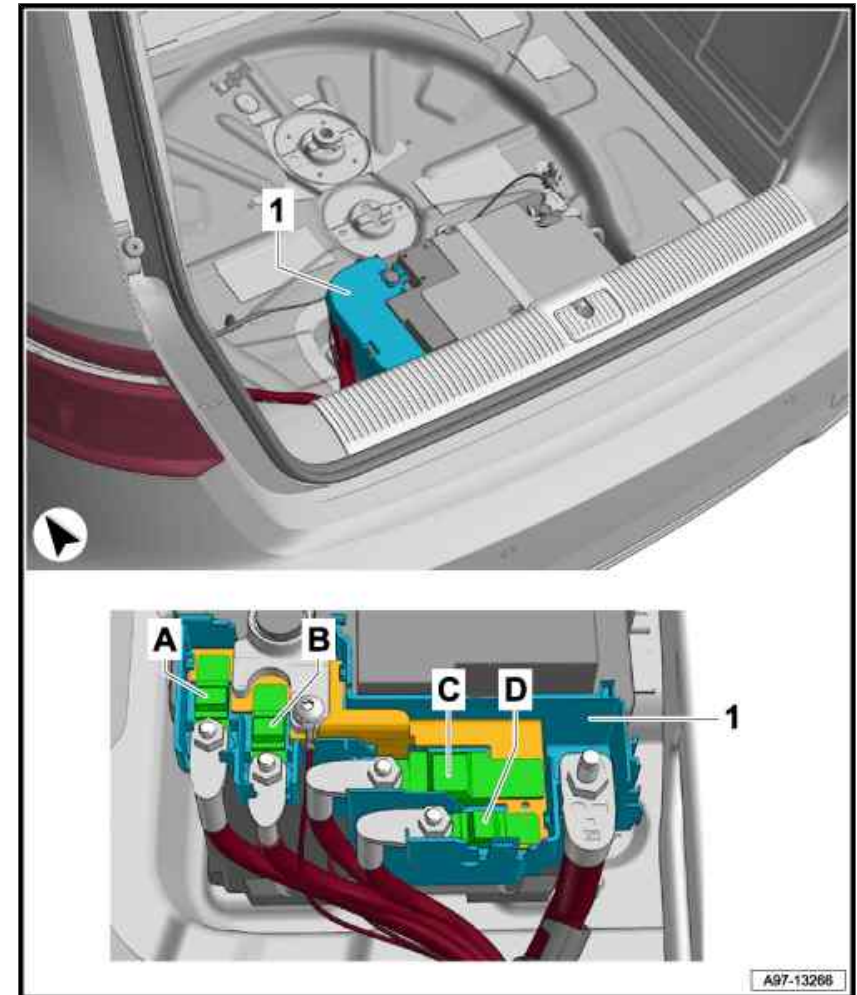
1 - Fuse holder in main fuse box in luggage compartment

A - Fuse 1 -S131-

B - Fuse 2 -S132-

C - Ignore

D - Fuse 3 -S133-



**1.28 Fuse assignment, fuse holder in main fuse box in luggage compartment**

Screw location	Current flow diagram designation	Nominal value	Function/component	Terminal
(A1) <sup>1)</sup> (E1A) <sup>2)</sup>	Fuse 1 -S131-	125 A	Supply for the fuses:	30

Screw location	Current flow diagram designation	Nominal value	Function/component	Terminal
			-SC4- ... -SC14- -SC30- -SC31- -SC38- -SC39- -SC41- -SC42- -SC53- Front passenger seat adjustment thermal fuse 1 -S46- Terminal 15 voltage supply relay -J329-	
(B1) <sup>1)</sup> (D1A) <sup>2)</sup>	Fuse 2 -S132-	80 A	Supply for the fuses:  -SC15- ... -SC20- -SC23- ... -SC28- -SB43- ... -SB45-	30
(C1) <sup>1)</sup> (C1A) <sup>2)</sup>	Fuse 3 -S133-	125 A	Fuse 4 on fuse holder A -SA4-  Fuse 1 on fuse holder B -SB1- Fuse 2 on fuse holder B -SB2- Main relay -J271-	30
(G1) <sup>1)</sup>	Fuse 1 in fuse holder -S1- <sup>1)</sup>	5 A <sup>1)</sup>	Battery monitor control unit -J367- <sup>1)</sup>	30

<sup>1)</sup> up to October 2016

<sup>2)</sup> from November 2016

## 1 Relays

### 1.1 Overview of relays (3-door)



#### Note

- ◆ *Overview of relays (4-door) ⇒ [page 3](#)*
- ◆ *Overview of relays (5-door) ⇒ [page 5](#)*
- ◆ *Overview of relays (Cabriolet) ⇒ [page 7](#)*

1 -

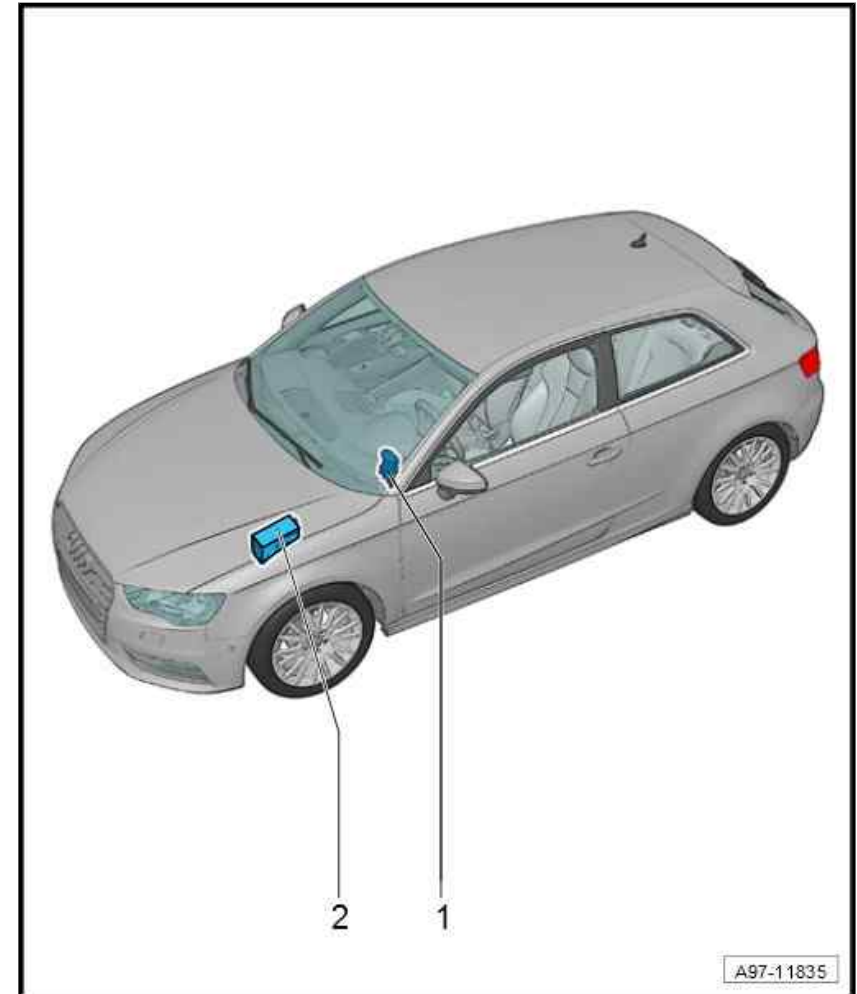
**Relay carrier on left under dash panel**

- Components: -J9- , -J44- , -J329- , -J669- , -J807- , -J963-
- Relay assignment: ⇒ [page 12](#)
- Overview (4-door): ⇒ [item 1 \(page 4\)](#)
- Overview (5-door): ⇒ [item 1 \(page 6\)](#)
- Overview (Cabriolet): ⇒ [item 1 \(page 8\)](#)

2 -

**Relay carrier on E-box**

- On left in engine compartment.
- Components: -J16- , -J179- , -J271- , -J299- , -J317- , -J359- , -J360- , -J413- , -J757- , -J906- , -J907- , -J318-
- Relay assignment: ⇒ [page 9](#)
- Overview (4-door): ⇒ [item 2 \(page 4\)](#)
- Overview (5-door): ⇒ [item 2 \(page 6\)](#)
- Overview (Cabriolet): ⇒ [item 2 \(page 8\)](#)



## 1.2 Overview of relays (4-door)



### Note

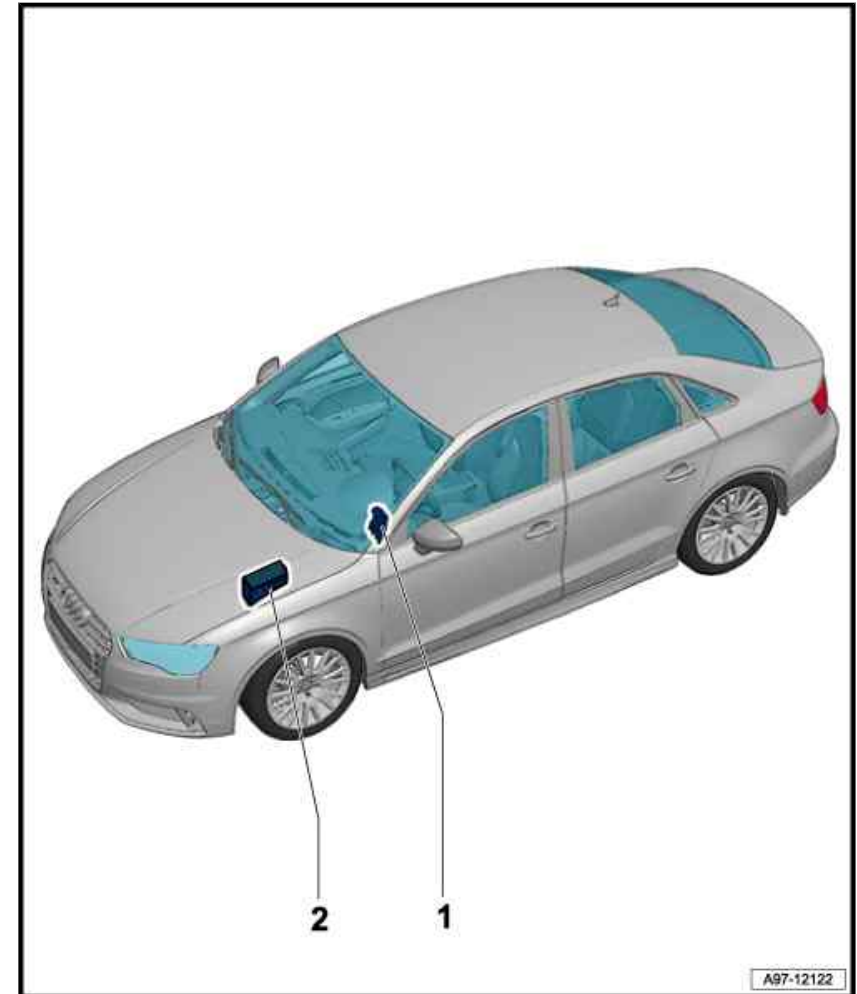
- ◆ *Overview of relays (3-door) ⇒ [page 1](#)*
- ◆ *Overview of relays (5-door) ⇒ [page 5](#)*
- ◆ *Overview of relays (Cabriolet) ⇒ [page 7](#)*

**1 - Relay carrier on left under dash panel**

- Components: -J9- , -J44- , -J329- , -J669- , -J807- , -J963-
- Relay assignment: ⇒ [page 12](#)

**2 - Relay carrier on E-box**

- On left in engine compartment.
- Components: -J16- , -J179- , -J271- , -J299- , -J317- , -J359- , -J360- , -J413- , -J757- , -J906- , -J907- , -J318-
- Relay assignment: ⇒ [page 9](#)



### 1.3 Overview of relays (5-door)



#### Note

- ◆ *Overview of relays (3-door) ⇒ [page 1](#)*
- ◆ *Overview of relays (4-door) ⇒ [page 3](#)*
- ◆ *Overview of relays (Cabriolet) ⇒ [page 7](#)*

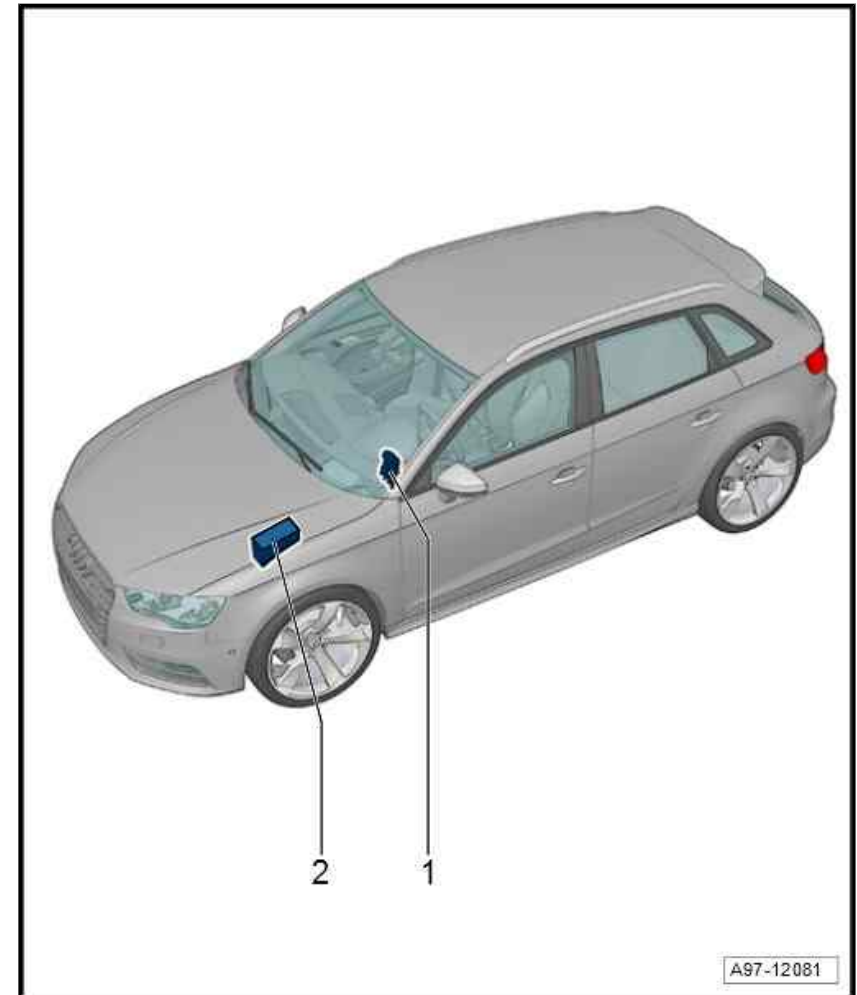
### 1 - Relay carrier on left under dash panel

- ❑ Components: -J9- , -J44- , -J329- , -J669- , -J807- , -J963-
- ❑ Relay assignment: ⇒ [page 12](#)

### 2 -

#### Relay carrier on E-box

- ❑ On left in engine compartment.
- ❑ Components: -J16- , -J32- , -J120- , -J179- , -J271- , -J299- , -J317- , -J359- , -J360- , -J413- , -J757- , -J906- , -J907- , -J908- , -J318-
- ❑ Relay slot assignment, without hybrid drive: ⇒ [page 9](#)
- ❑ Relay slot assignment, with hybrid drive: ⇒ [page 10](#)
- ❑ Relay slot assignment, with RS3: ⇒ [page 11](#)



A97-12081

## 1.4 Overview of relays (Cabriolet)



### Note

- ◆ *Overview of relays (3-door) ⇒ [page 1](#)*
- ◆ *Overview of relays (4-door) ⇒ [page 3](#)*
- ◆ *Overview of relays (5-door) ⇒ [page 5](#)*

### 1 - Relay carrier on left under dash panel

- Components: -J9- , -J44- , -J329- , -J669- , -J807- , -J963-
- Relay assignment: ⇒ [page 12](#)

### 2 - Relay carrier on E-box

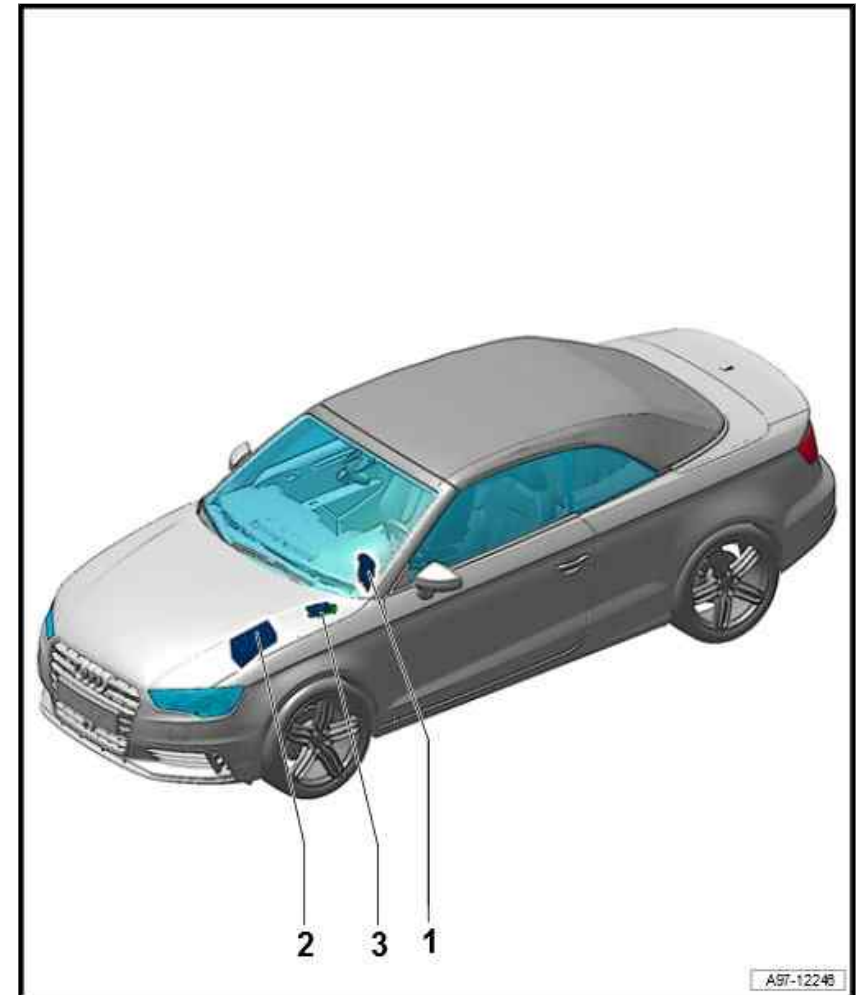
- On left in engine compartment.
- Components: -J16- , -J179- , -J271- , -J299- , -J317- , -J359- , -J360- , -J413- , -J757- , -J906- , -J907- , -J318-
- Relay assignment: ⇒ [page 9](#)

### 3 - Additional relay carrier, left-hand drive model

- under dash panel on left.
- Components: -J989-
- Relay slot assignment, left-hand drive models: ⇒ [page 13](#)
- Relay slot assignment, right-hand drive models: ⇒ [item 3 \(page 8\)](#)

### 3 - Additional relay carrier, right-hand drive model

- On onboard supply control unit -J519- .
- Components: -J989-
- Relay slot assignment, right-hand drive models: ⇒ [page 14](#)



**1.5 Relay locations on E-box, without hybrid drive**

- 1 - Automatic glow period control unit -J179-**
  - Slot A6
- 2 - Low heat output relay -J359-**
  - Slot A7
- 3 - not assigned**
  - Slot A10
- 4 - Starter relay 2 -J907-**
  - Slot A2
- 5 - Starter relay 1 -J906-**
  - Slot A1
- 6 - Horn relay -J413-**
  - Slot A3
- 7 - High heat output relay -J360-**
  - Slot A4
- 7 - Secondary air pump relay -J299-**
  - Slot A4
- 7 - Vacuum pump relay -J318-**
  - Slot A4
- 8 - Main relay -J271-**
  - Slot A5
  - for models with petrol engines only
- 8 - Terminal 30 voltage supply relay -J317-**
  - Slot A5
  - Only models with diesel engine
- 9 - Engine component current supply relay -J757-**
  - Slot A8
- 9 - Relay for gas shut-off valves -J908-**
  - Slot A8
  - Only models with engine code CPWA
- 10 - Current supply relay -J16-**



- ❑ Slot A9

### 1.6 Relay locations on E-box, with hybrid drive

1 - not assigned

- ❑ Slot A7

2 - not assigned

- ❑ Slot A2

3 - not assigned

- ❑ Slot A1

4 - Horn relay -J413-

- ❑ Slot A3

5 - Secondary air pump relay -J299-

- ❑ Slot A4

6 - Main relay -J271-

- ❑ Slot A5

7 - Air conditioning system relay -J32-

- ❑ Slot A8

8 - Current supply relay -J16-

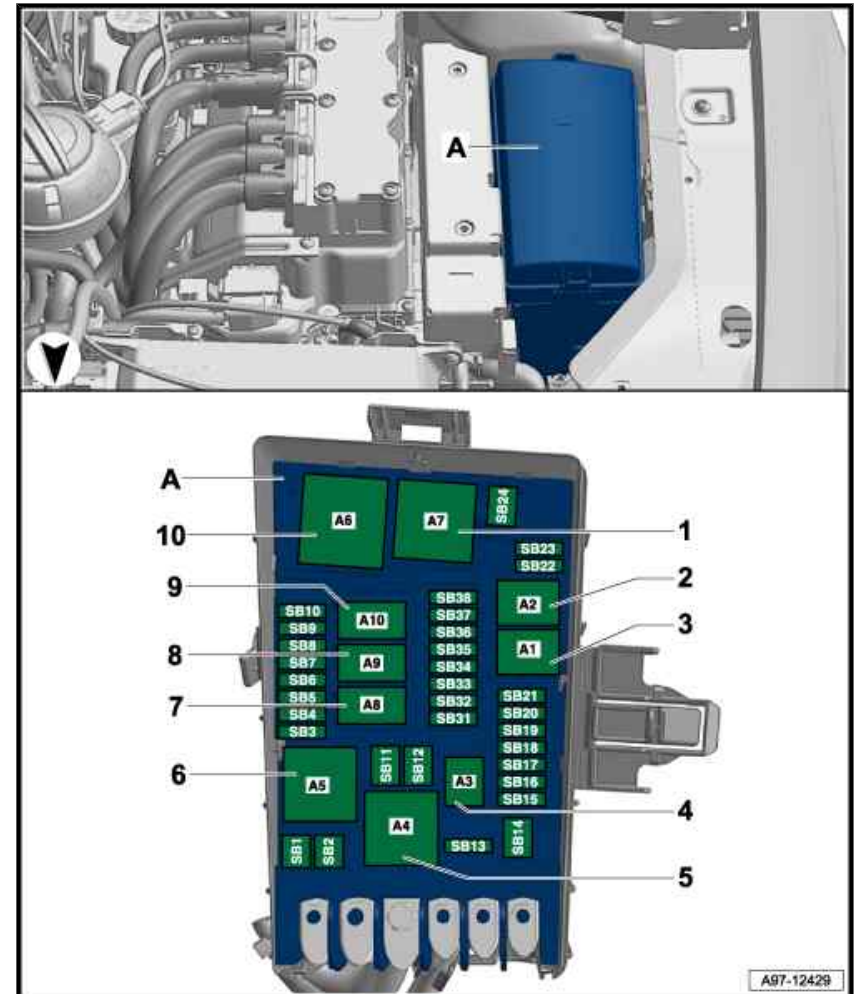
- ❑ Slot A9

9 - not assigned

- ❑ Slot A10

10 - Coolant shortage indicator control unit -J120-

- ❑ Slot A6



**1.7 Relay locations on E-box, with RS3**

1 - not assigned

- Slot A7

2 - Starter relay 2 -J907-

- Slot A2

3 - Starter relay 1 -J906-

- Slot A1

4 - Horn relay -J413-

- Slot A3

5 - not assigned

- Slot A4

6 - Main relay -J271-

- Slot A5

7 - Auxiliary engine coolant pump relay -J496-

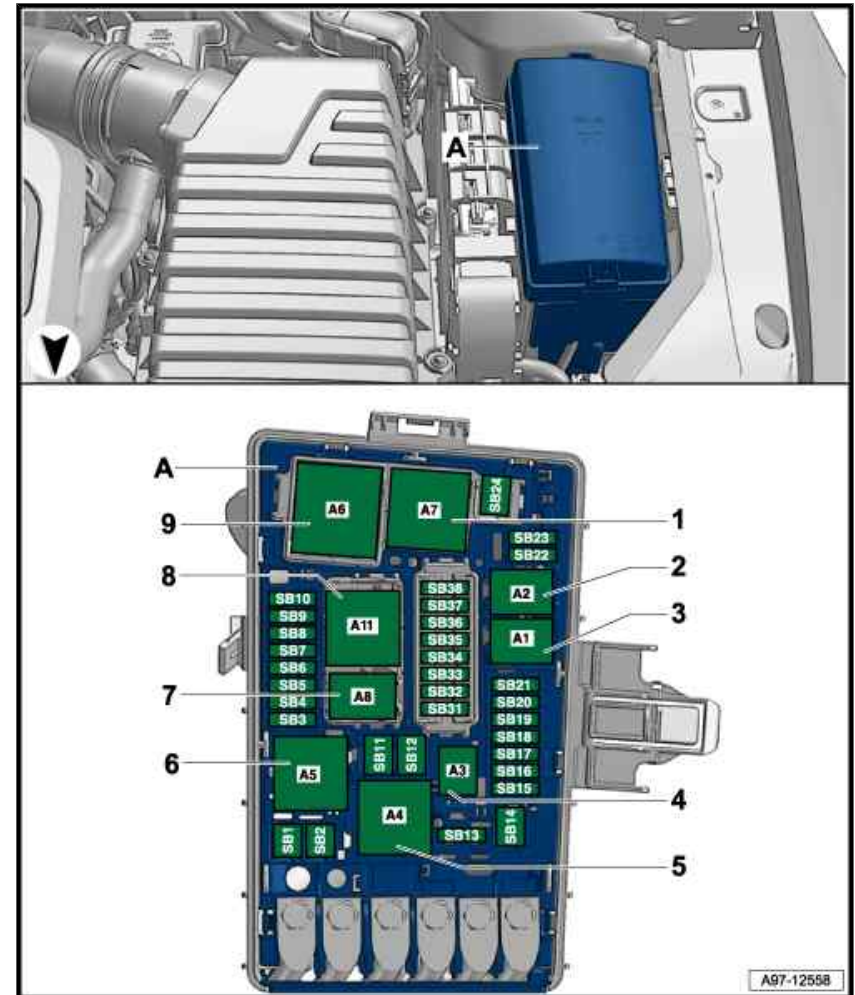
- Slot A8

8 - Engine component current supply relay -J757-

- Slot A11

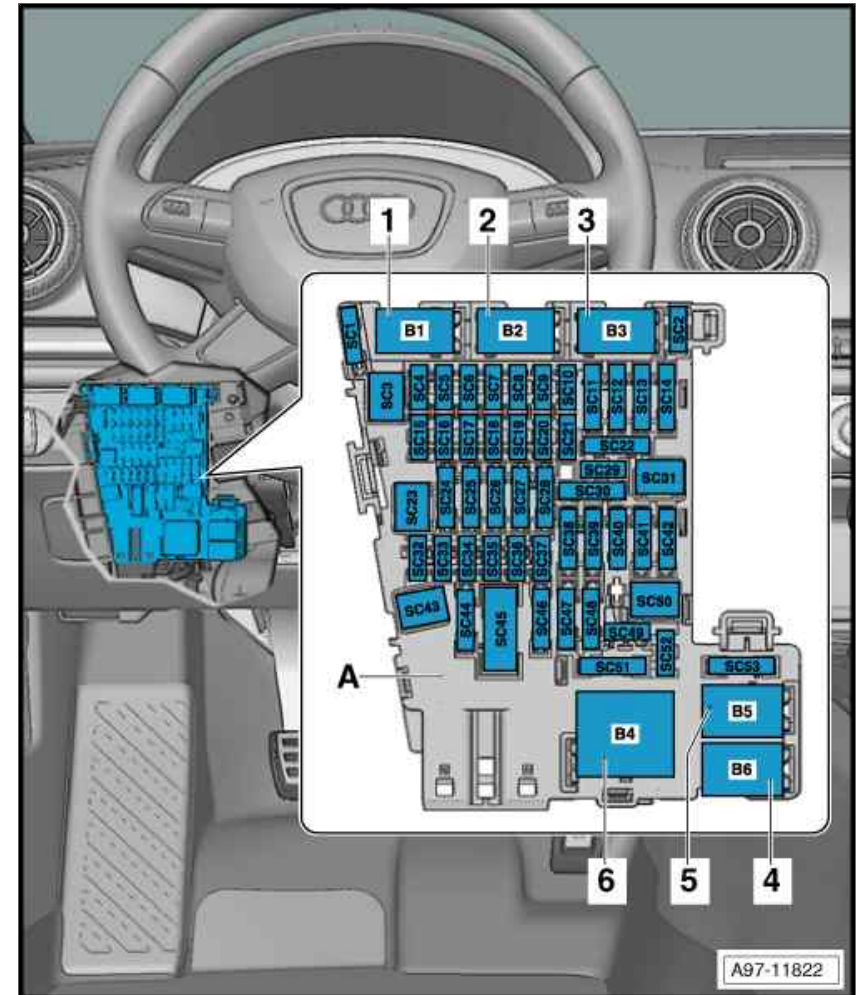
9 - not assigned

- Slot A6



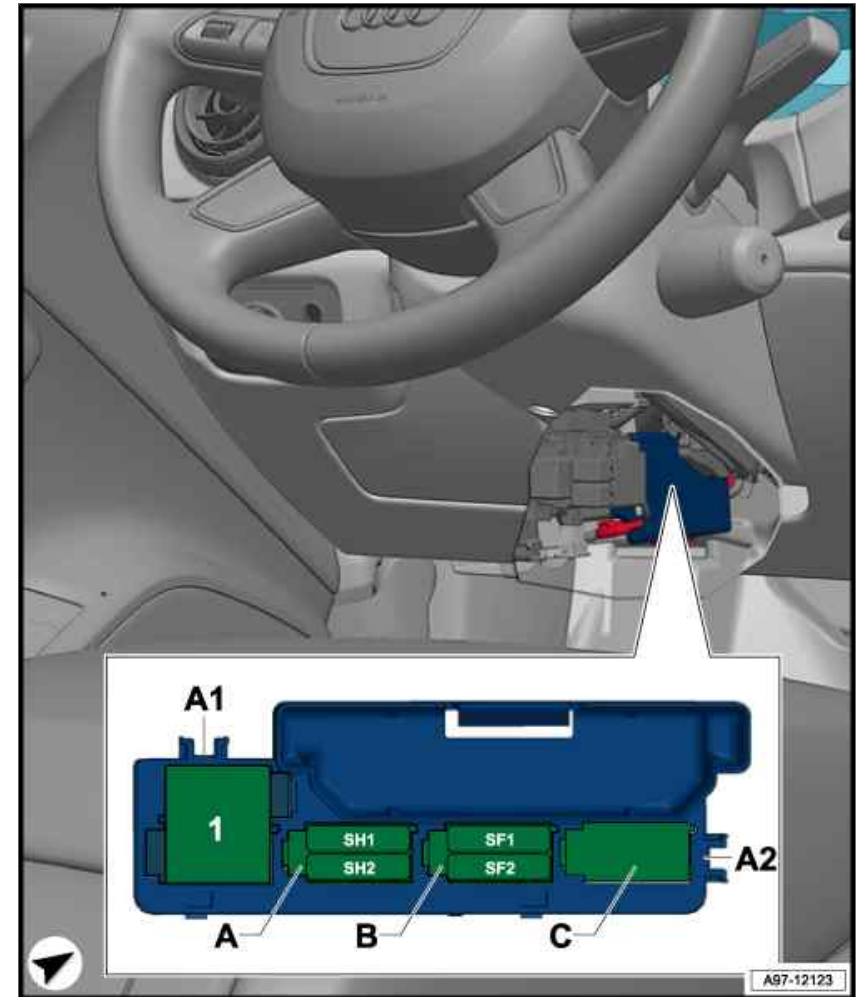
**1.8 Relay slot assignment under left dash panel**

- 1 - Relay for reducing agent metering system -J963-**
  - Slot B1
- 2 - Seat belt tensioner relay -J669-**
  - Slot B2
  - Up to April 2013
- 2 - Magnetic clutch relay -J44-**
  - Slot B2
  - For models with 1.0l petrol engine
  - For models with 1.5l petrol engine
  - For emission standard Euro 6 DG
- 3 - not assigned**
  - Slot B3
- 4 - Relay for power sockets -J807-**
  - Slot B6
- 5 - Heated rear window relay -J9-**
  - Slot B5
- 6 - Terminal 15 voltage supply relay -J329-**
  - Slot B4



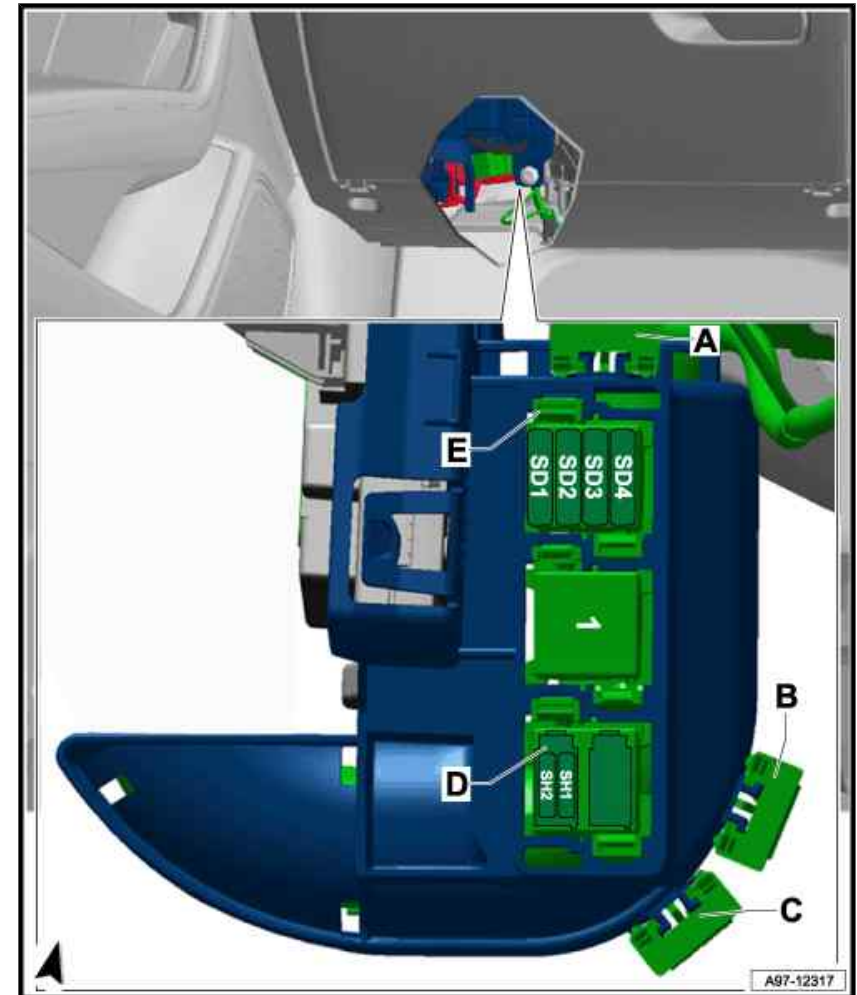
1.9 Relay slot assignment on additional relay carrier, left-hand drive models

1 - Relay for neck heating -J989-



1.10 Relay slot assignment on additional relay carrier, right-hand drive models

1 - Relay for neck heating -J989-



1 Control units in front part of vehicle

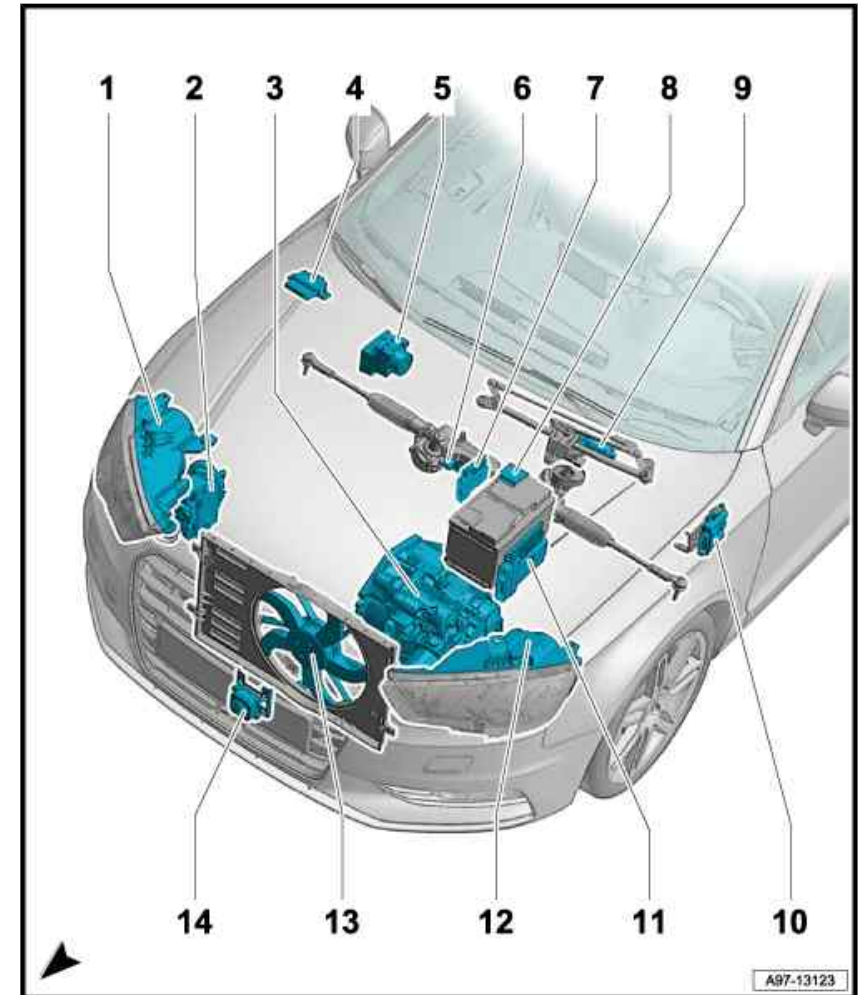
1.1 Overview of control units



Note

*Overview of additional control units (with hybrid drive) ⇒ [page 3](#)*

- 1 - Front right headlight -MX2-
  - Fitting location: at front of vehicle
- 2 - Auxiliary heater control unit -J364-
  - Fitting location and connectors: [⇒ page 10](#)
- 3 - Mechatronic unit for dual clutch gearbox -J743-
  - Fitting location: On gearbox
- 4 - Control unit for structure-borne sound -J869-
  - Fitting location and connector: [⇒ page 23](#)
- 5 - ABS control unit -J104-
  - Fitting location and connector: [⇒ page 5](#)
- 6 - Power steering control unit -J500-
  - Fitting location and connectors: [⇒ page 8](#)
- 7 - NOx sender control unit -J583-
  - Fitting location and connector: [⇒ page 25](#)
- 8 - Battery monitor control unit -J367-
  - Fitting location and connector: [⇒ page 4](#)
- 9 - Wiper motor control unit -J400-
  - Fitting location and connector: [⇒ page 24](#)
- 10 - Automatic gearbox control unit -J217-
  - Location and connector, up to April 2016: [⇒ page 21](#)
  - Location and connector, from May 2016: [⇒ page 22](#)
- 11 - Engine control unit -J623-
  - Fitting location and 154-pin connector: [⇒ page 6](#)
  - Fitting location and 196-pin connector: [⇒ page 7](#)
- 12 - Front left headlight -MX1-
  - Fitting location: at front of vehicle
- 13 - Radiator fan control unit -J293-
  - Fitting location: on radiator
- 14 - Adaptive cruise control unit -J428-
  - Fitting location and connector: [⇒ page 9](#)



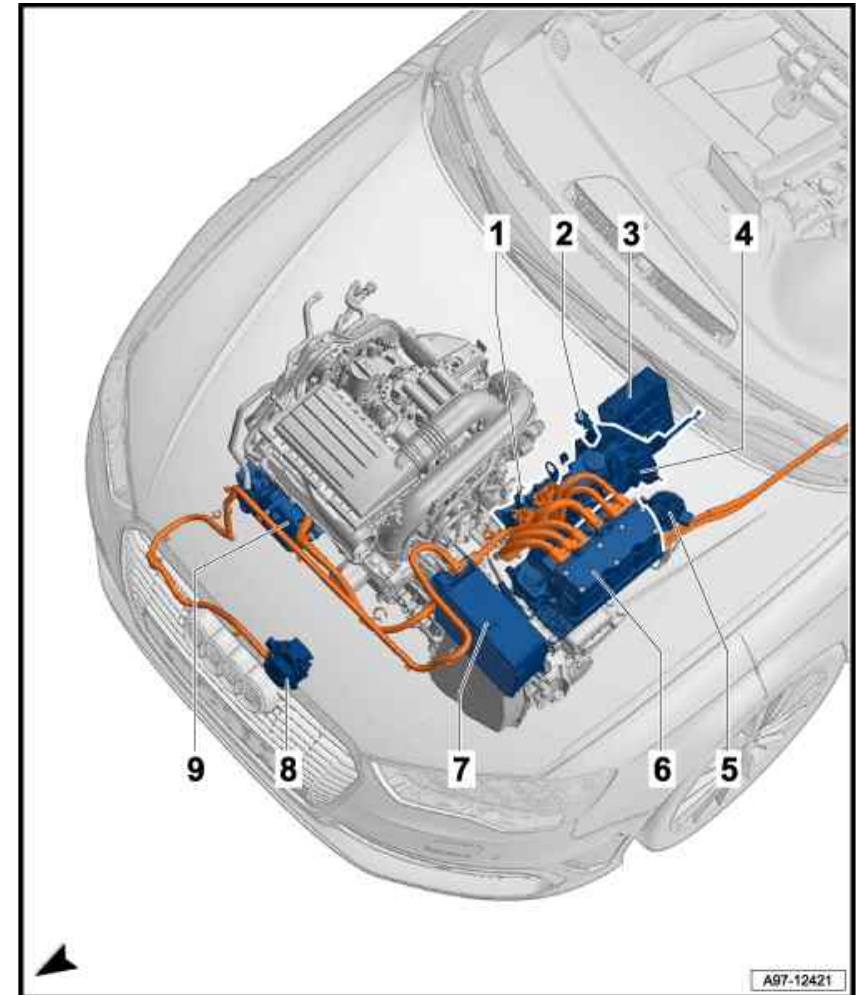
## 1.2 Overview of additional control units and components (with hybrid drive)



Note

Overview of control units [⇒ page 1](#)

- 1 - Three-phase current drive -VX54-**
  - Fitting location and connector: [⇒ page 11](#)
- 2 - Maintenance connector for high-voltage system -TW-**
  - Fitting location and connector: [⇒ page 12](#)
- 3 - High-voltage heater (PTC) control unit -J848-**
  - Fitting location and connector: [⇒ page 13](#)
- 4 - Brake servo -NX6-**
  - Fitting location and connector: [⇒ page 14](#)
- 5 - Brake system pressure accumulator -VX70-**
  - Fitting location and connector: [⇒ page 15](#)
- 6 - Power and control electronics for electric drive -JX1-**
  - Fitting location and connector: [⇒ page 16](#)
- 7 - High-voltage battery charger control unit -J1050-**
  - Fitting location and connector: [⇒ page 17](#)
- 8 - High-voltage battery charging socket 1 -UX4-**
  - Only models without Japan equipment
  - Only models without US equipment
  - Fitting location and connector: [⇒ page 18](#)
- 8 - High-voltage battery charging socket 1 -UX4-**
  - Only models with Japan equipment
  - Only models with US equipment
  - Fitting location and connector: [⇒ page 19](#)
- 9 - Air conditioner compressor control unit -J842-**
  - Fitting location and connector: [⇒ page 20](#)

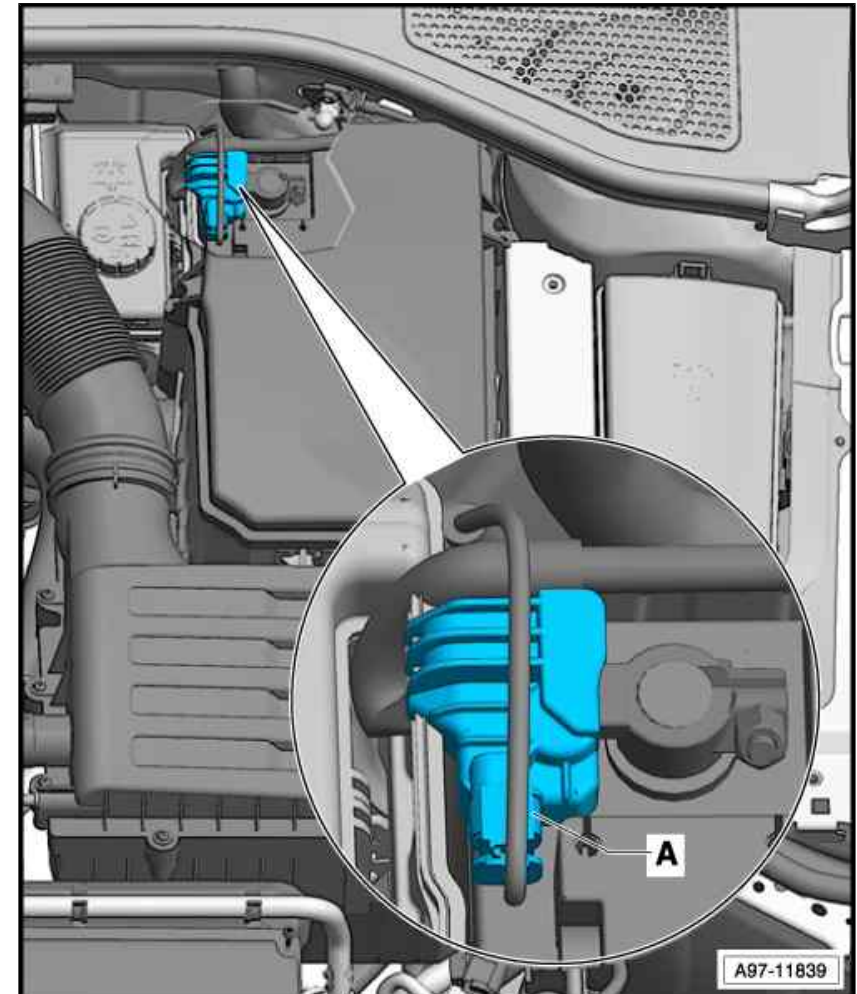


### 1.3 Battery monitor control unit -J367-

Fitting location:

On the battery.

A - 2-pin connector -T2b- , black



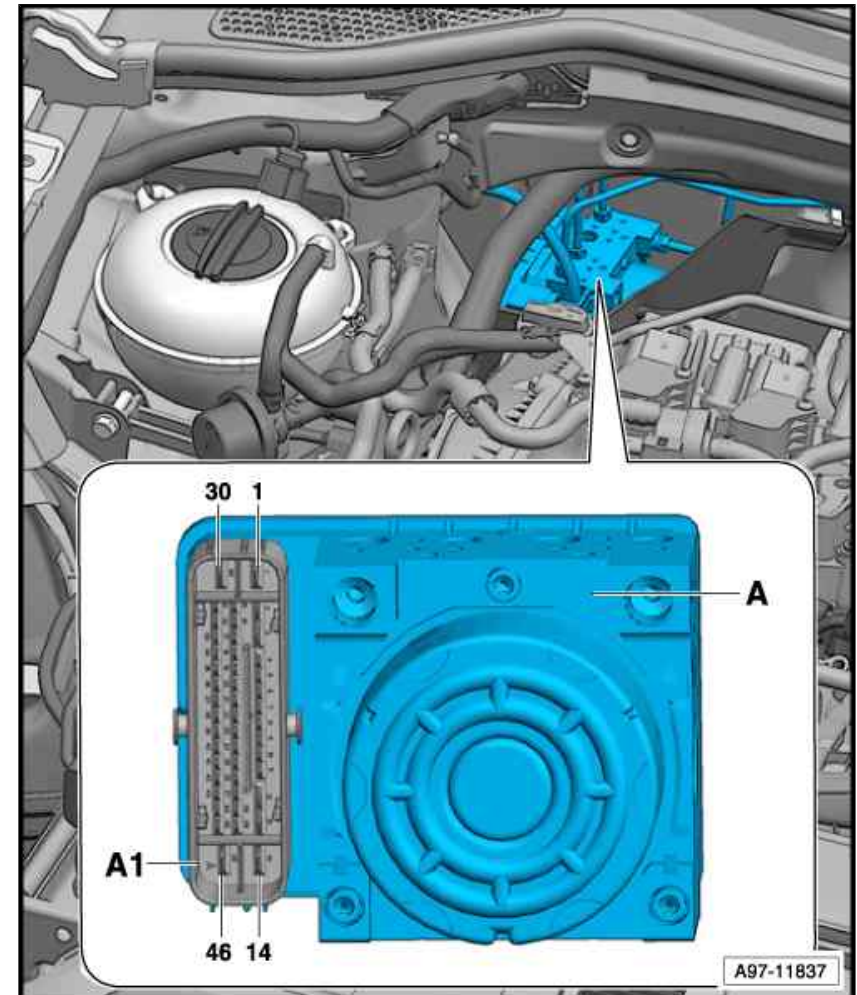
1.4 ABS control unit -J104-

Fitting location:

In engine compartment.

A - ABS control unit -J104-

A1 - 46-pin connector -T46a- , black



### 1.5 Engine control unit -J623- (154-pin)

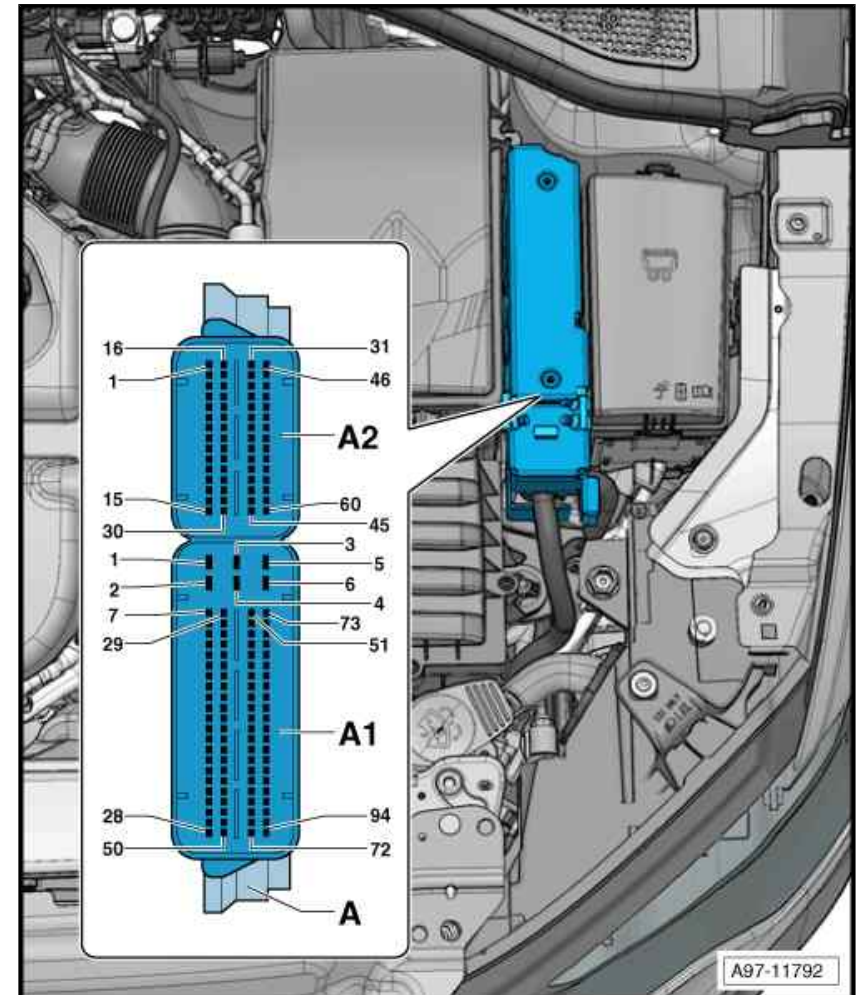
Fitting location:

In engine compartment, between battery and electronics box.

A - Engine control unit -J623-

A1 - 94-pin connector -T94- , black

A2 - 60-pin connector -T60- , black



1.6 Engine control unit -J623- (196-pin)

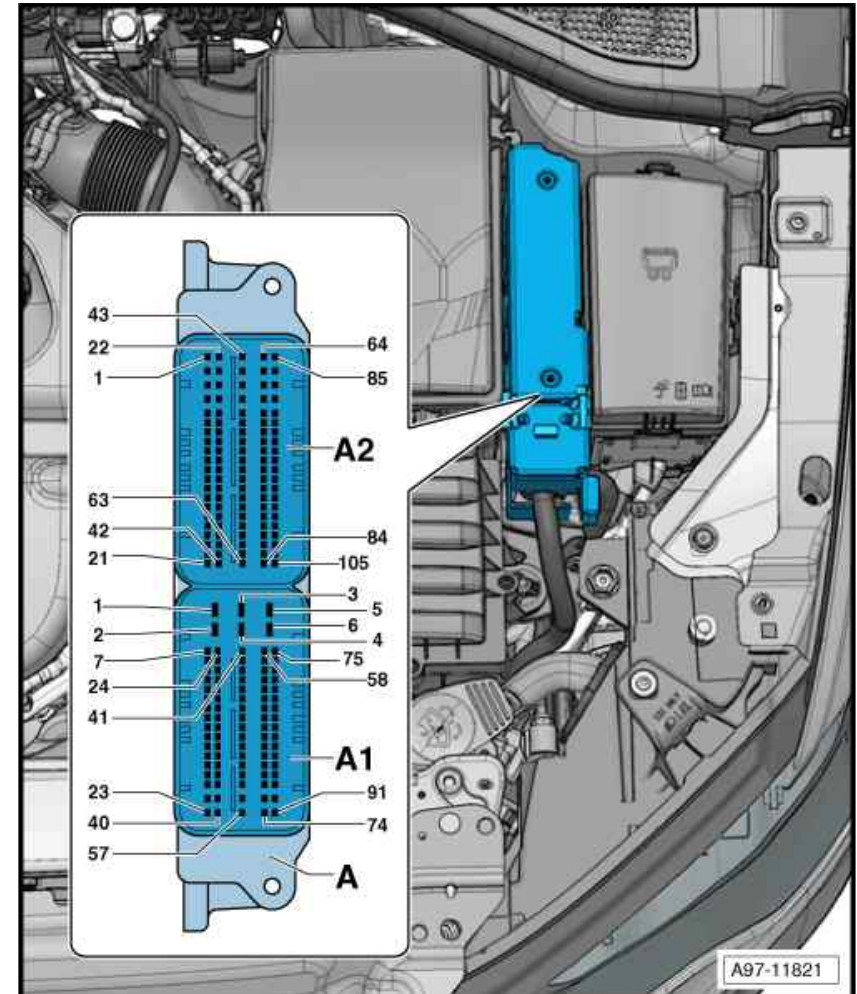
Fitting location:

In engine compartment, between battery and electronics box.

A - Engine control unit -J623-

A1 - 91-pin connector -T91- , black

A2 - 105-pin connector -T105- , black



### 1.7 Power steering control unit -J500-

Fitting location:

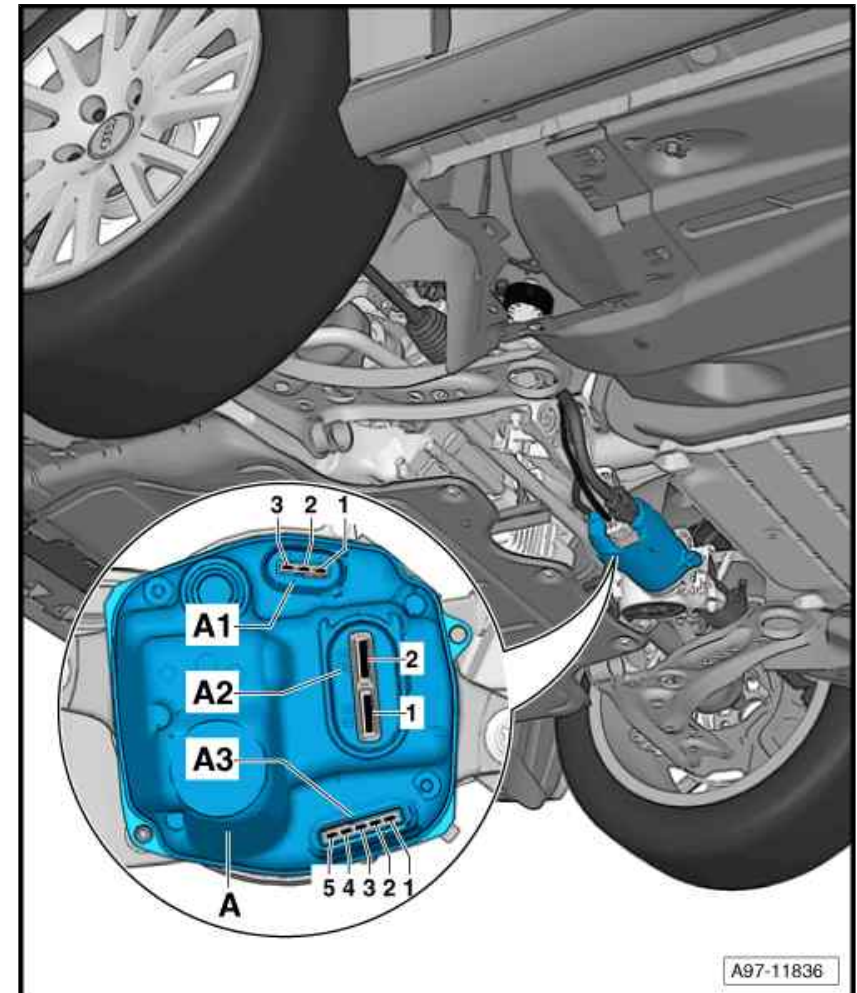
Near steering box.

A - Power steering control unit -J500-

A1 - 3-pin connector -T3z- , black

A2 - 2-pin connector -T2ag- , black

A3 - 5-pin connector -T5f-



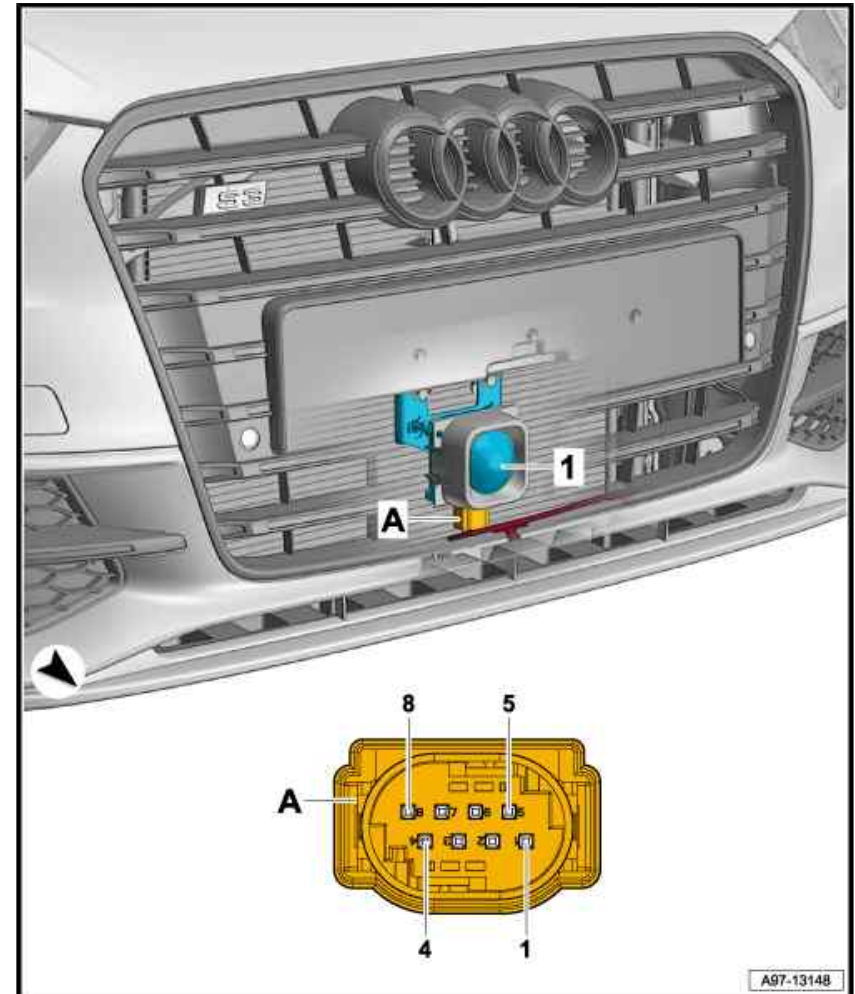
### 1.8 Adaptive cruise control unit -J428-

Fitting location:

In bumper.

1 - Adaptive cruise control unit -J428-

A - 8-pin connector -T8m- , black



1.9 Auxiliary heater control unit -J364-

Fitting location:

Near front right longitudinal member

A - Auxiliary heater control unit -J364-

A1 - 6-pin connector -T6t- , black

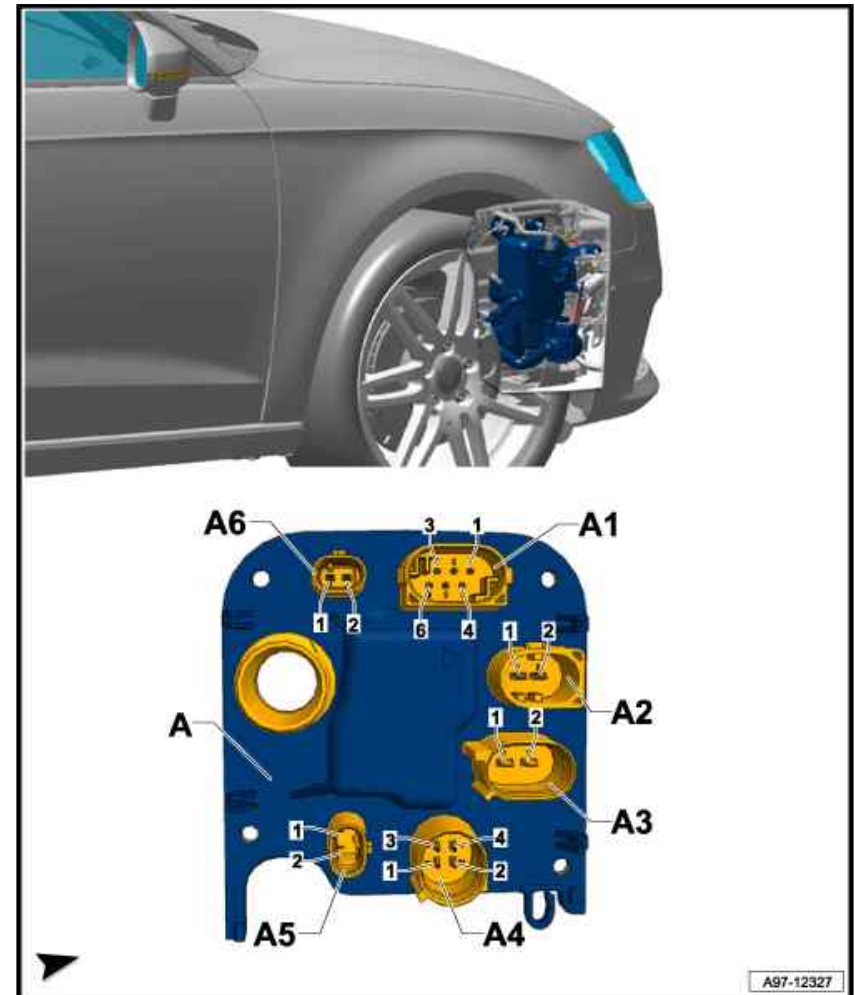
A2 - 2-pin connector -T2v- , black

A3 - 2-pin connector -T2x-

A4 - 4-pin connector -T4r-

A5 - Not assigned

A6 - 2-pin connector -T2y-

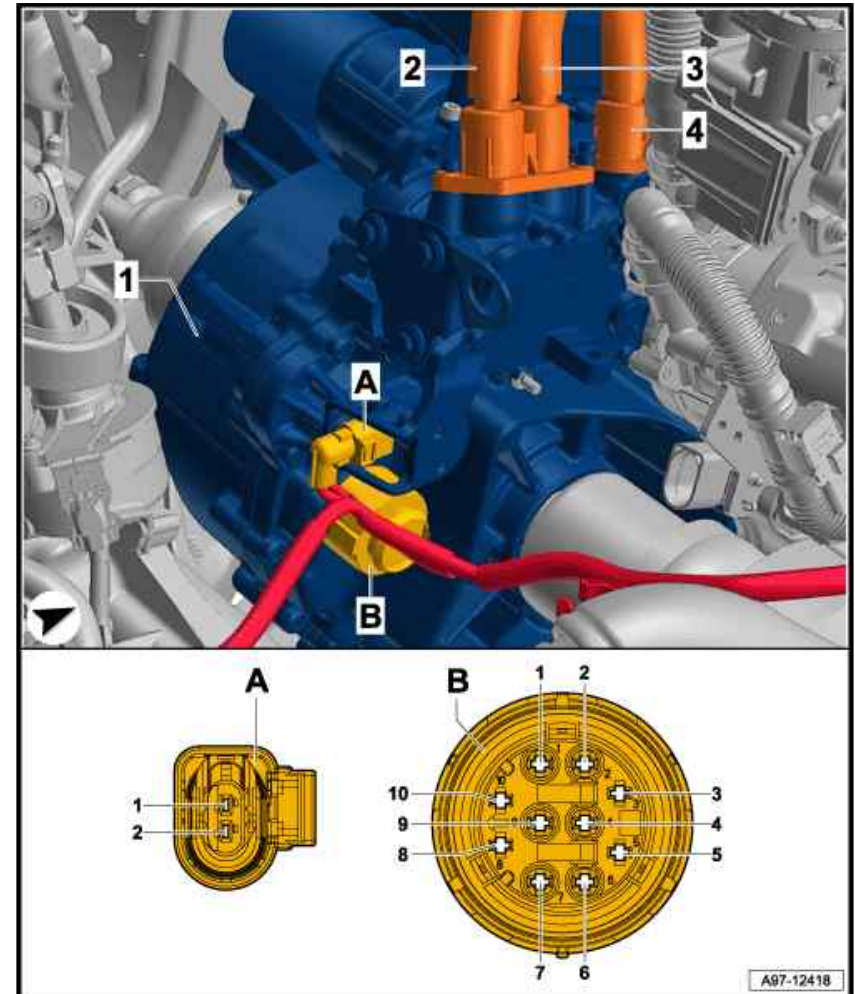


### 1.10 Three-phase current drive -VX54-

Fitting location:

In engine compartment.

- 1 - Three-phase current drive -VX54-
- 2 - High-voltage wire 3 for drive motor -P6-
- 3 - High-voltage wire 2 for drive motor -P5-
- 4 - High-voltage wire 1 for drive motor -P4-
- A - 2-pin connector -T2vx- , black
- B - 10-pin connector -T10h- , black



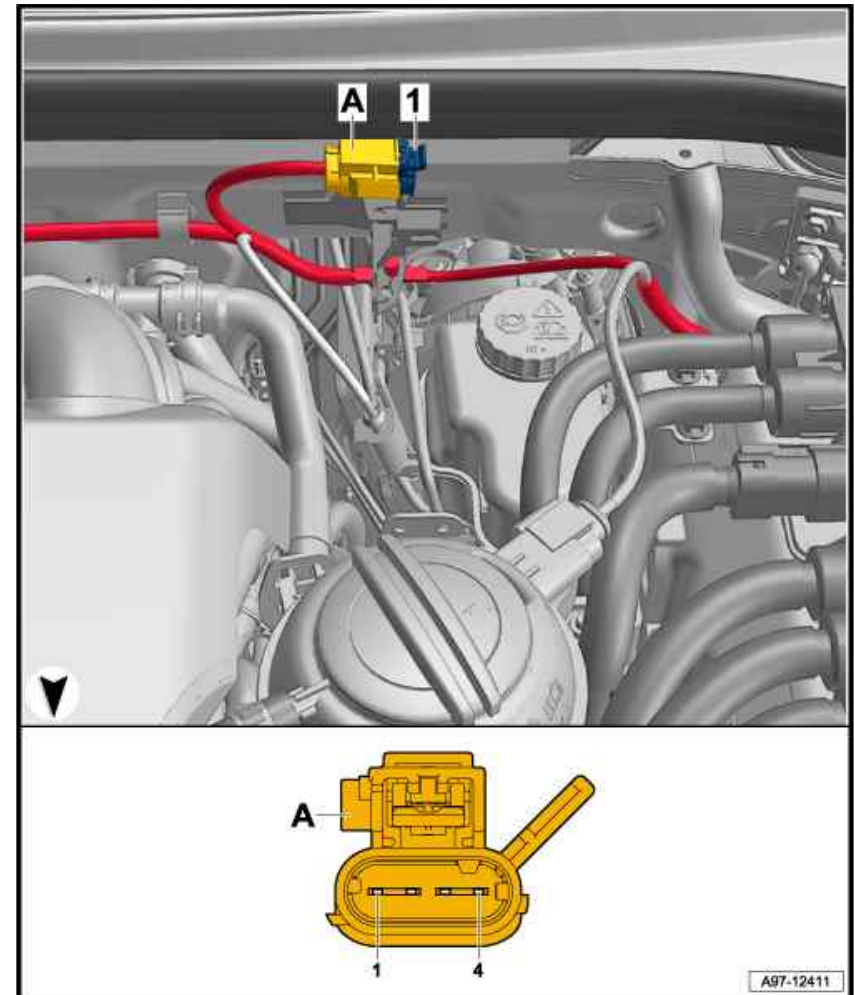
### 1.11 Maintenance connector for high-voltage system -TW-

Fitting location:

In engine compartment.

1 - Maintenance connector for high-voltage system -TW-

A - 4-pin connector -T4dk- , green



1.12 High-voltage heater (PTC) control unit -J848-

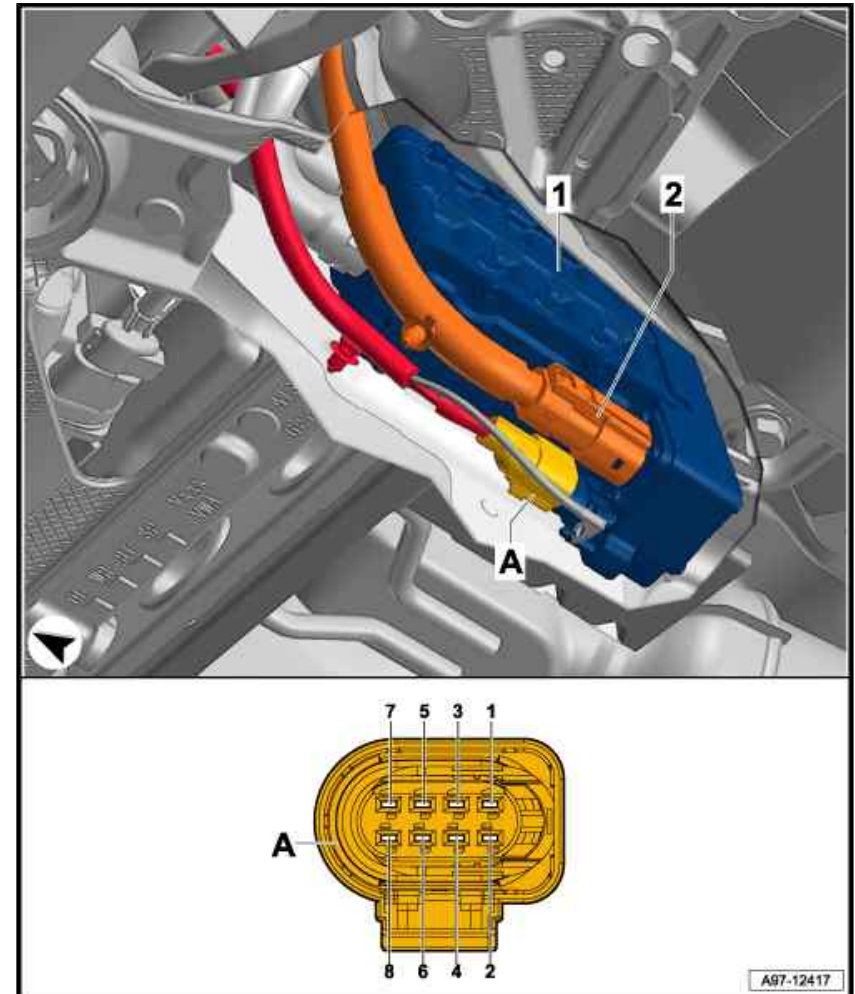
Fitting location:

On centre tunnel, near catalytic converter.

1 - High-voltage heater (PTC) control unit -J848-

2 - High-voltage wire for high-voltage heater (PTC) -P11-

A - 8-pin connector -T8r- , black



1.13 Brake servo -NX6-

Fitting location:

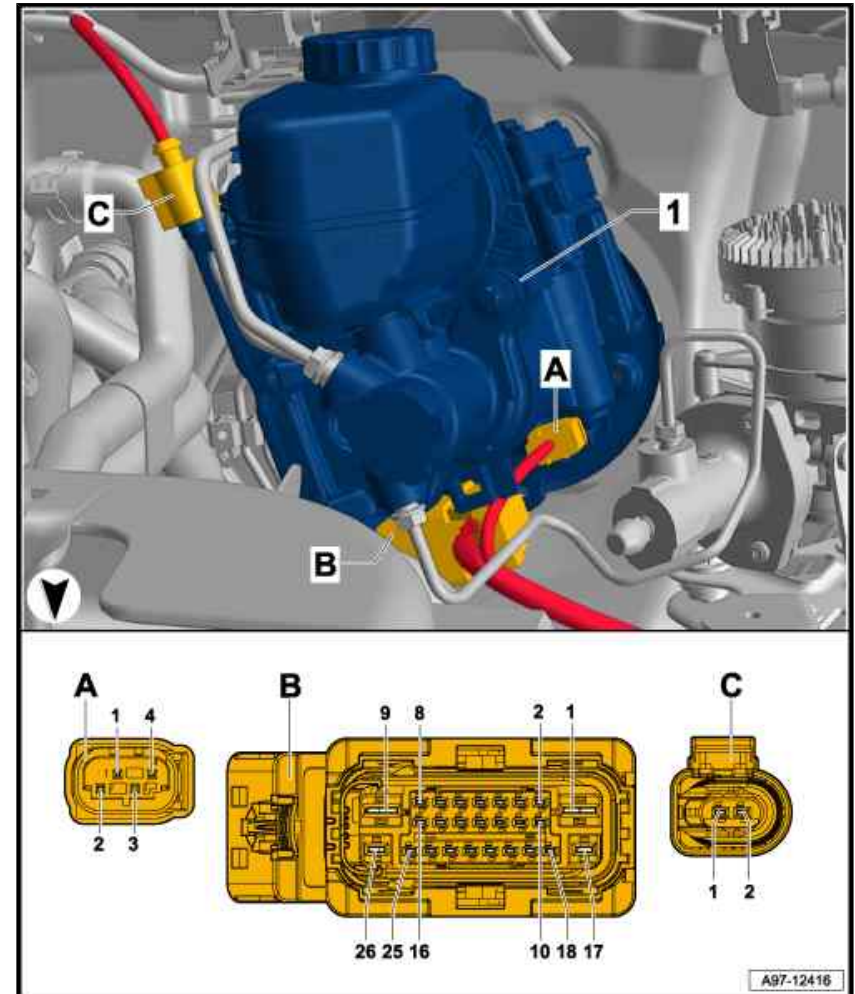
Near bulkhead.

1 - Brake servo -NX6-

A - 4-pin connector -T4ae- , black

B - 26-pin connector -T26d- , black

C - 2-pin connector -T2fj- , black



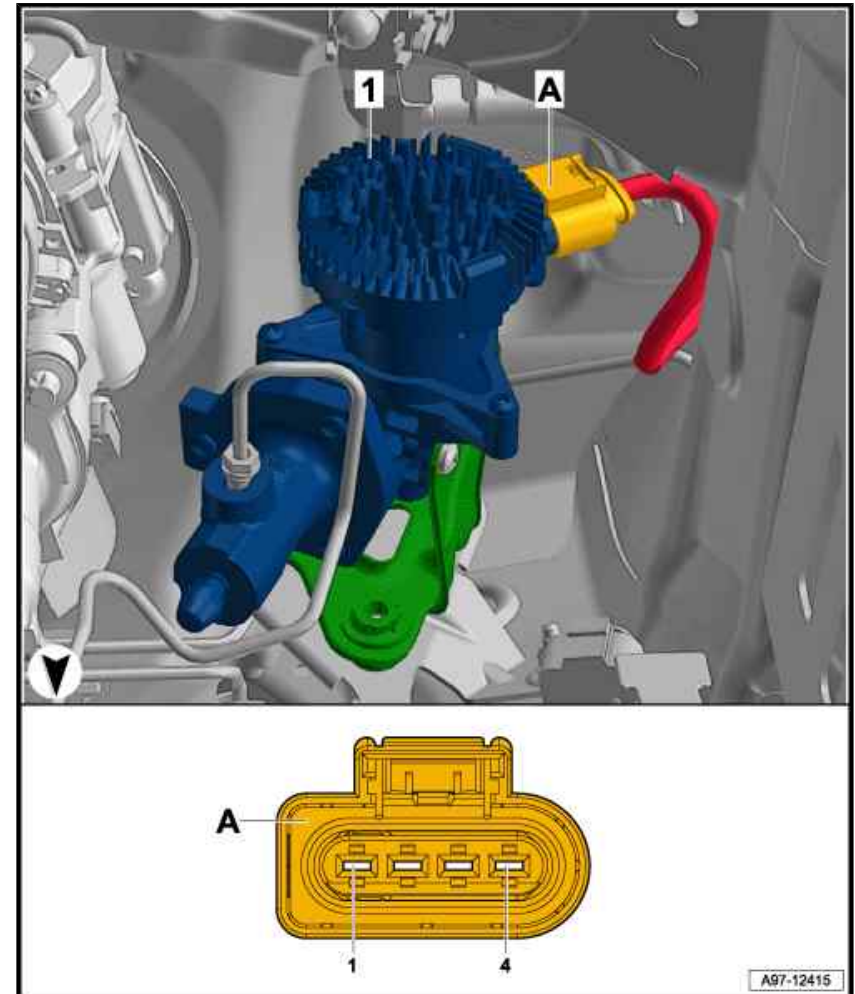
1.14 Brake system pressure accumulator -VX70-

Fitting location:

On left in engine compartment.

1 - Brake system pressure accumulator -VX70-

A - 4-pin connector -T4dm- , black

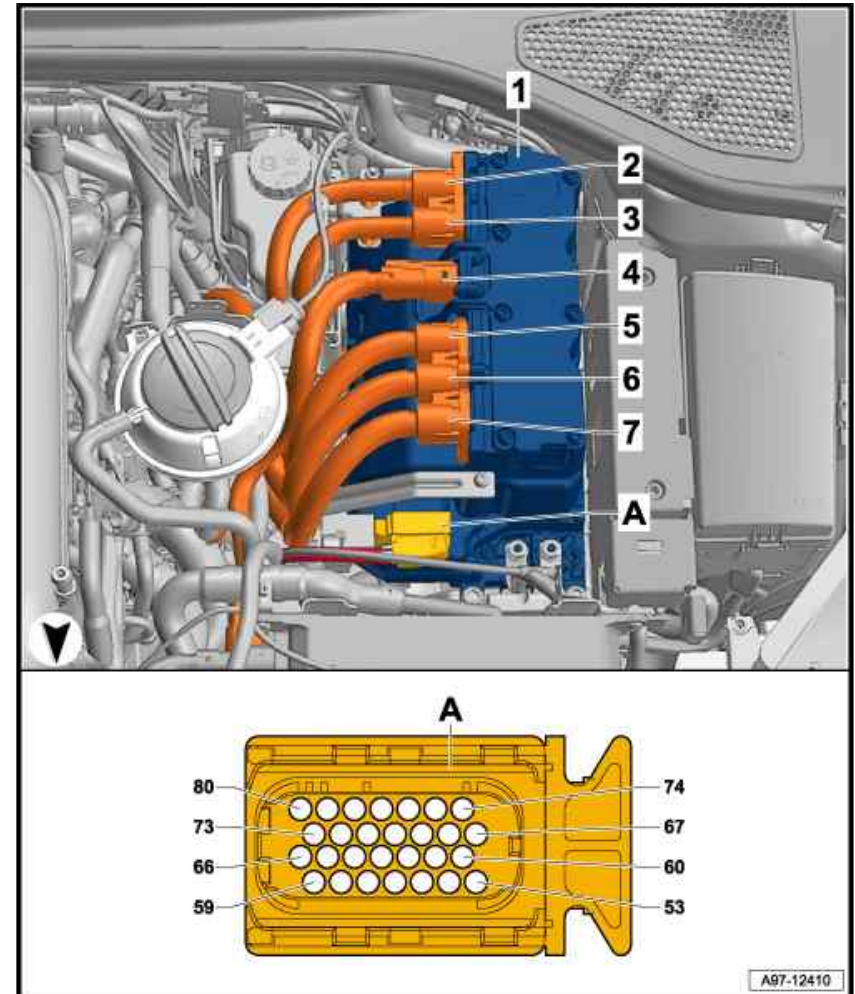


1.15 Power and control electronics for electric drive -JX1-

Fitting location:

On left in engine compartment.

- 1 - Power and control electronics for electric drive -JX1-
- 2 - High-voltage wire for hybrid battery, negative terminal -P2-
- 3 - High-voltage wire for hybrid battery, positive terminal -P1-
- 4 - High-voltage wire for high-voltage battery charger -P25-
- 5 - High-voltage wire 3 for drive motor -P6-
- 6 - High-voltage wire 2 for drive motor -P5-
- 7 - High-voltage wire 1 for drive motor -P4-
- A - 28-pin connector -T28- , black



1.16 High-voltage battery charger control unit -J1050-

Fitting location:

On left in engine compartment.

1 - High-voltage battery charger control unit -J1050-

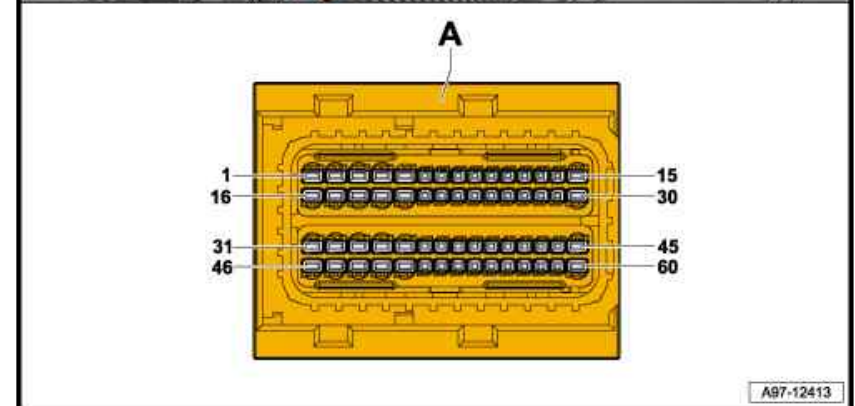
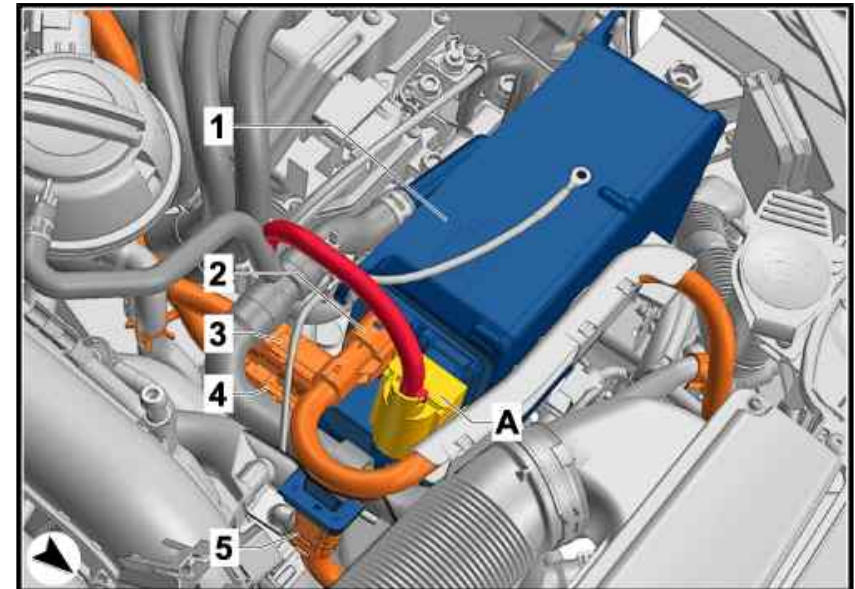
2 - High-voltage wire for charging socket

3 - High-voltage wire for high-voltage battery charger -P25-

4 - High-voltage wire for high-voltage heater (PTC) -P11-

5 - High-voltage wire for electrical air conditioner compressor -P3-

A - 60-pin connector -T60a- , black



A97-12413

1.17 High-voltage battery charging socket 1 -UX4-

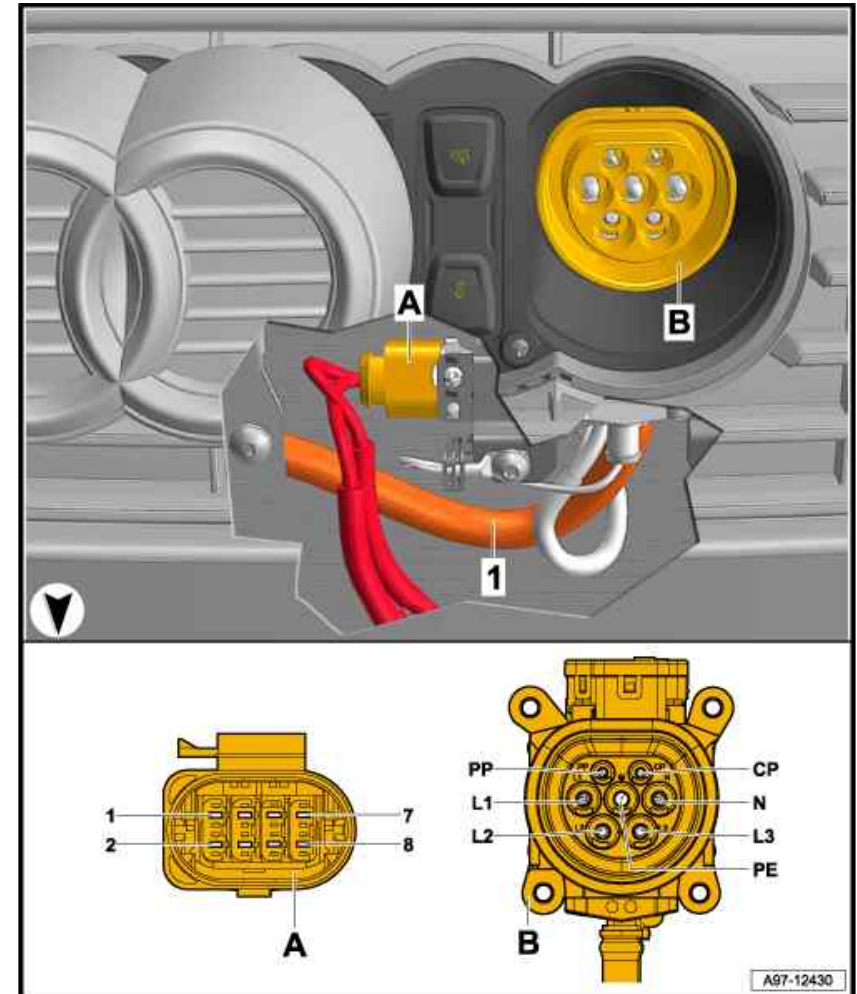
Fitting location:

In front bumper.

1 - High-voltage wire for charging socket

A - 8-pin connector -T8f- , black

B - High-voltage battery charging socket 1 -UX4-



1.18 High-voltage battery charging socket 1 -UX4-

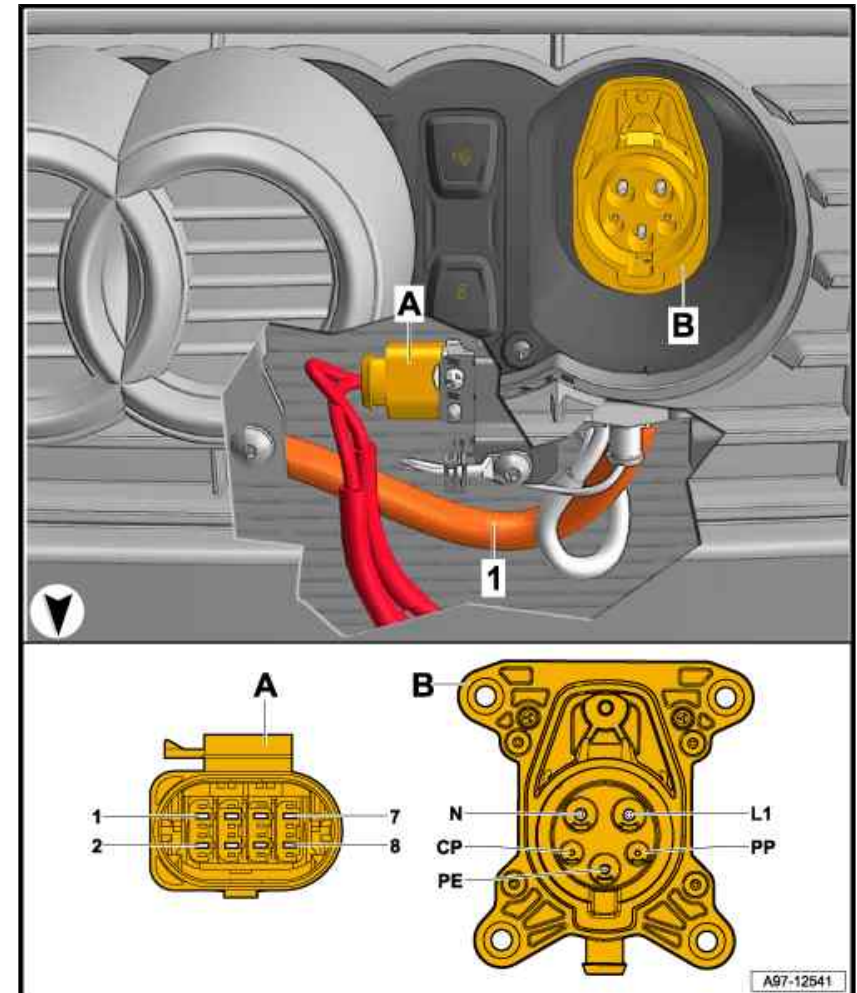
Fitting location:

In front bumper.

1 - High-voltage wire for charging socket

A - 8-pin connector -T8f- , black

B - High-voltage battery charging socket 1 -UX4-



1.19 Air conditioner compressor control unit -J842-

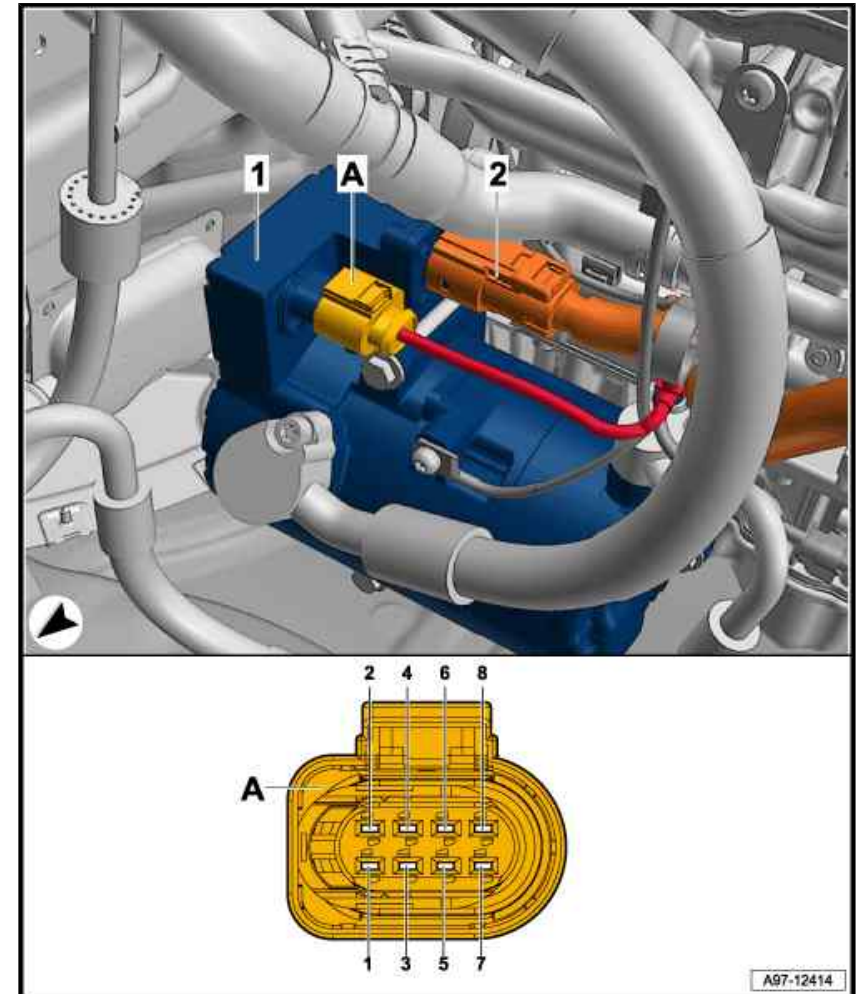
Fitting location:

In right of engine compartment.

1 - Air conditioner compressor control unit -J842-

2 - High-voltage wire for electrical air conditioner compressor -P3-

A - 8-pin connector -T8s- , black



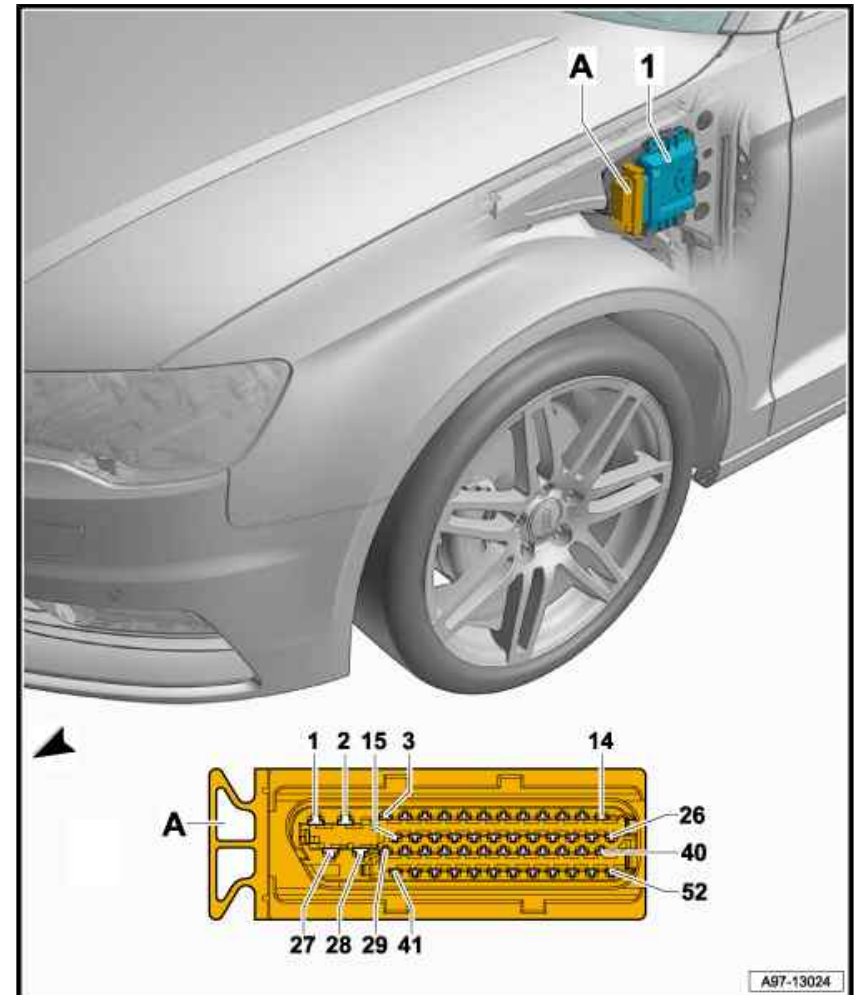
1.20 Automatic gearbox control unit -J217- , up to April 2016

Fitting location:

In front left wheel housing.

1 - Automatic gearbox control unit -J217-

A - 52-pin connector -T52a- , black



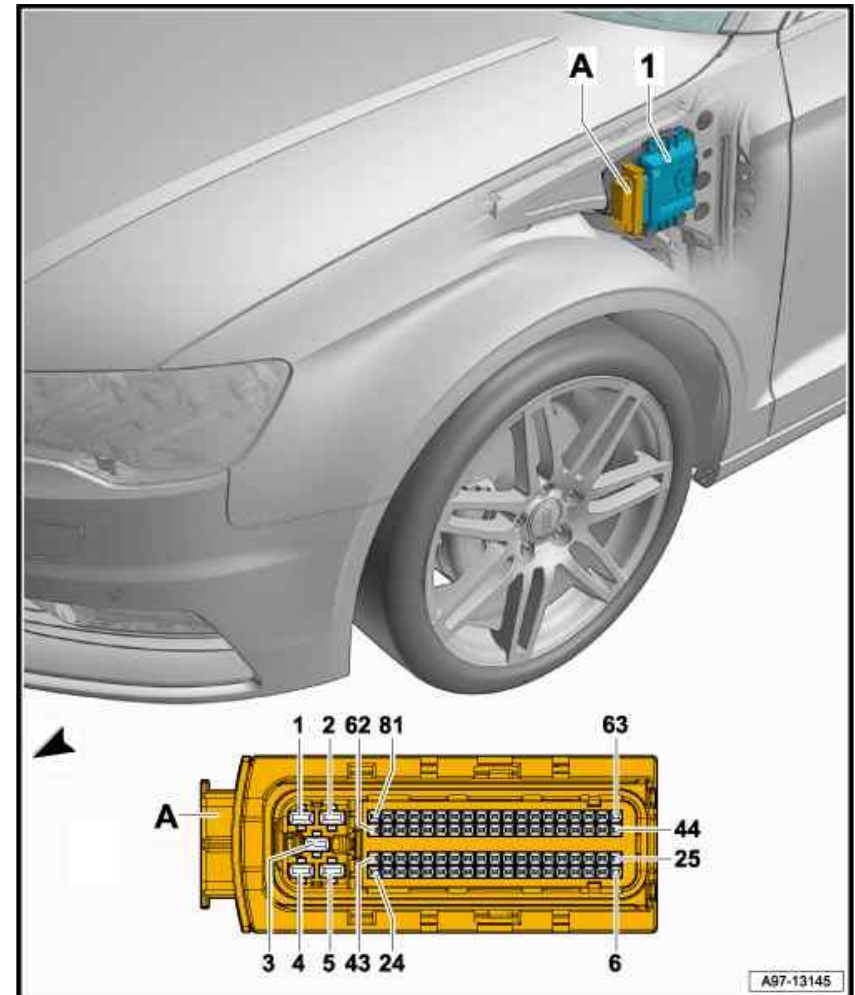
1.21 Automatic gearbox control unit -J217- , from May 2016

Fitting location:

In front left wheel housing.

1 - Automatic gearbox control unit -J217-

A - 81-pin connector -T81- , black



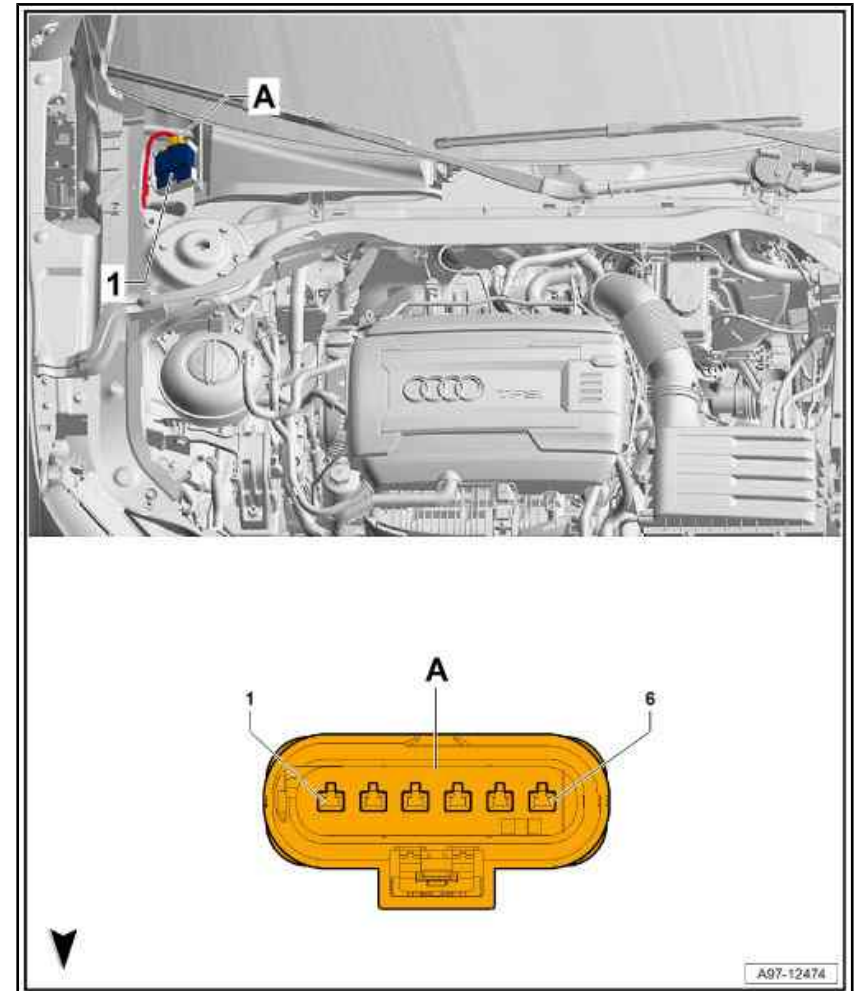
1.22 Control unit for structure-borne sound -J869-

Fitting location:

In plenum chamber.

1 - Control unit for structure-borne sound -J869-

A - 6-pin connector -T6ad- , black



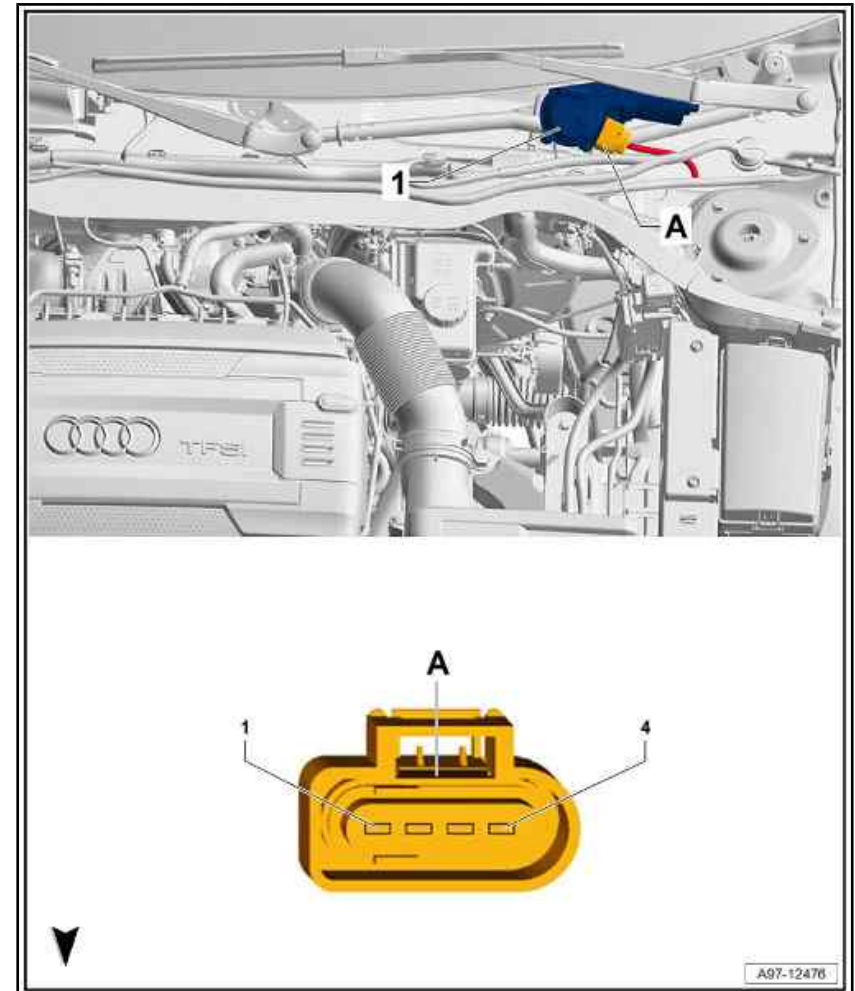
### 1.23 Wiper motor control unit -J400-

Fitting location:

In plenum chamber.

1 - Wiper motor control unit -J400-

A - 4-pin connector -T4cd-



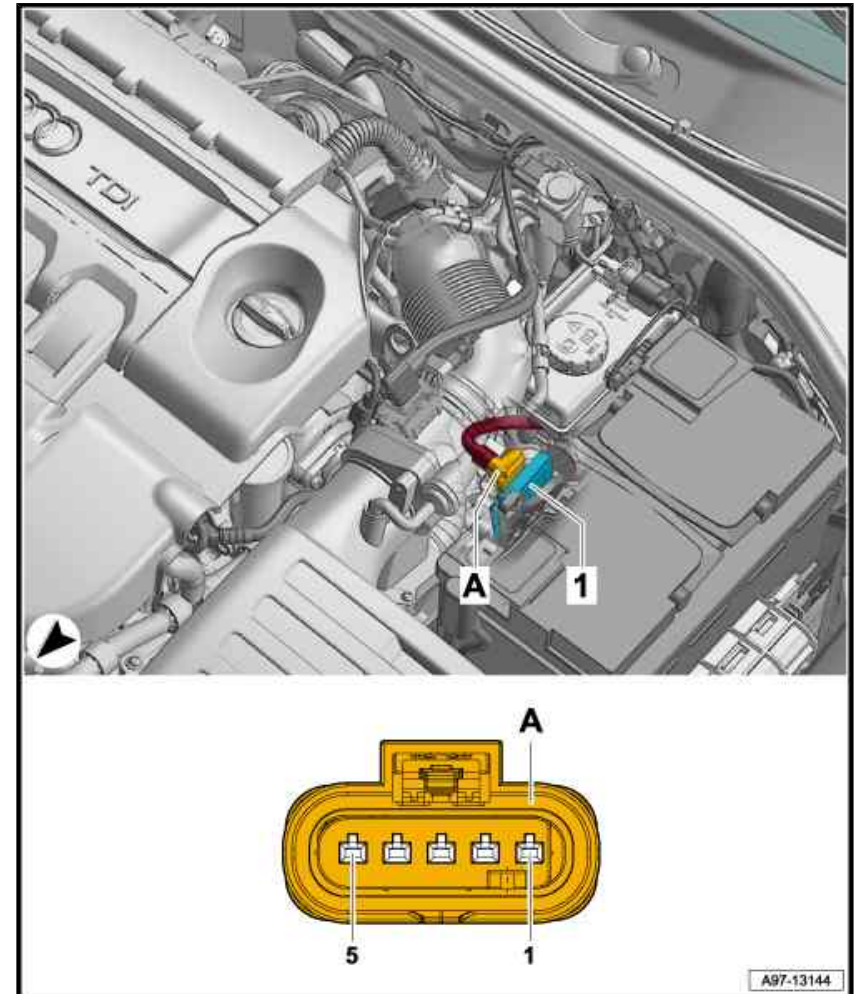
1.24 NOx sender control unit -J583-

Fitting location:

On the battery.

1 - NOx sender control unit -J583-

A - 4-pin connector -T4do- , black



**1 Control units in interior and rear part of vehicle****1.1 Overview of control units in interior of vehicle (3-door models)****Note**

- ◆ *Overview of control units (4-door) ⇒ [page 8](#)*
- ◆ *Overview of control units (5-door) ⇒ [page 13](#)*
- ◆ *Overview of control units (Cabriolet) ⇒ [page 18](#)*

**1 - Fresh air blower control unit -J126-**

- Fitting location and connectors: ⇒ [page 110](#)
- Overview (4-door): ⇒ [item 3 \(page 9\)](#)
- Overview (5-door): ⇒ [item 3 \(page 14\)](#)
- Overview (Cabriolet): ⇒ [item 2 \(page 19\)](#)

**2 - Control unit 1 for information electronics -J794-**

- Location and connectors, radio, up to July 2016: ⇒ [page 97](#)
- Location and connectors, MMI with radio, up to April 2016: ⇒ [page 101](#)
- Location and connectors, MMI high, up to April 2016: ⇒ [page 93](#)
- Location and connectors, MMI radio (I8E), from May 2016: ⇒ [page 98](#)
- Location and connectors, MMI Navigation plus, from May 2016: ⇒ [page 99](#)
- Overview (4-door): ⇒ [item 6 \(page 9\)](#)
- Overview (5-door): ⇒ [item 6 \(page 14\)](#)
- Overview (Cabriolet): ⇒ [item 3 \(page 19\)](#)

**3 - Front passenger door control unit -J387-**

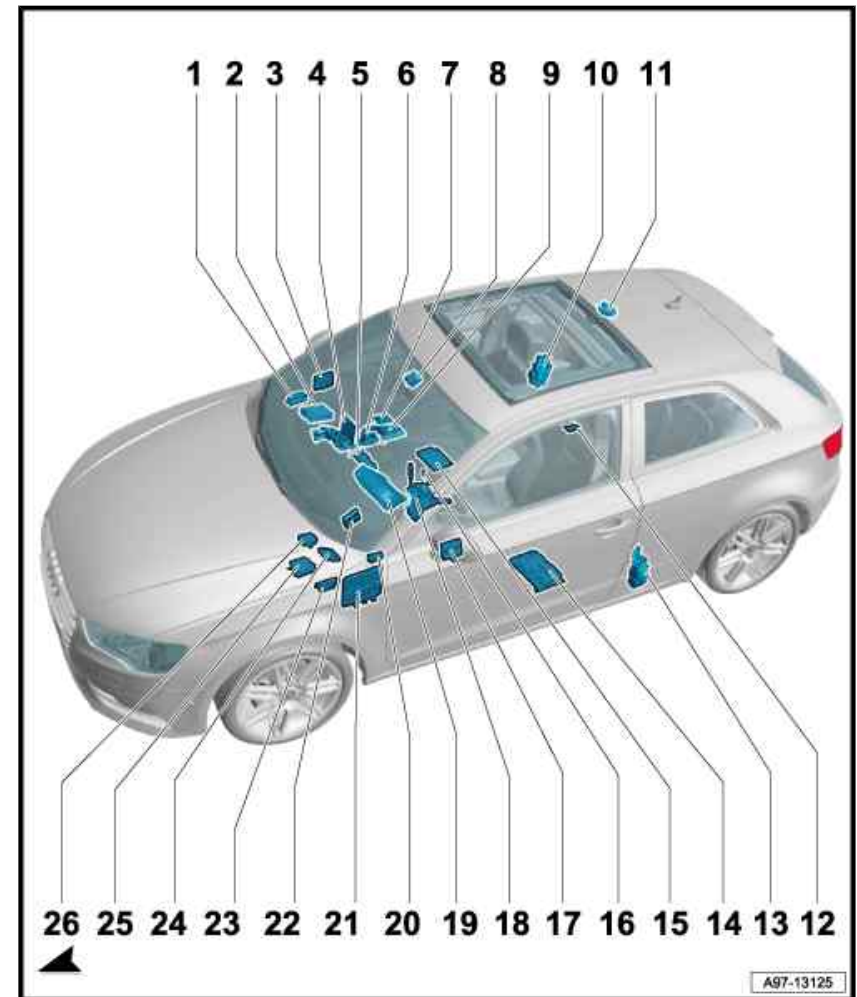
- Fitting location and connectors: ⇒ [page 63](#)
- Overview (4-door): ⇒ [item 5 \(page 9\)](#)
- Overview (5-door): ⇒ [item 5 \(page 14\)](#)
- Overview (Cabriolet): ⇒ [item 6 \(page 19\)](#)

**4 - Display unit for front information display and operating unit control unit -J685-**

- Fitting location and connectors: ⇒ [page 90](#)
- Overview (4-door): ⇒ [item 7 \(page 9\)](#)
- Overview (5-door): ⇒ [item 7 \(page 14\)](#)
- Overview (Cabriolet): ⇒ [item 5 \(page 19\)](#)

**4 - Multimedia system operating unit -E380-**

- Fitting location and connectors (radio): ⇒ [page 100](#)
- Fitting location and connectors (MMI): ⇒ [item 9 \(page 4\)](#)
- Overview (4-door): ⇒ [item 7 \(page 9\)](#)
- Overview (5-door): ⇒ [item 7 \(page 14\)](#)
- Overview (Cabriolet): ⇒ [item 5 \(page 19\)](#)



**5 - Air conditioning system control unit -J301-**

- Fitting location and connectors: [⇒ page 56](#)
- Overview (4-door): [⇒ item 8 \(page 9\)](#)
- Overview (5-door): [⇒ item 8 \(page 14\)](#)
- Overview (Cabriolet): [⇒ item 7 \(page 19\)](#)

**5 - Climatronic control unit -J255-**

- Fitting location and connectors: [⇒ page 57](#)
- Overview (4-door): [⇒ item 8 \(page 9\)](#)
- Overview (5-door): [⇒ item 8 \(page 14\)](#)
- Overview (Cabriolet): [⇒ item 7 \(page 19\)](#)

**6 - Selector lever sensors control unit -J587-**

- Fitting location and connectors: [⇒ page 45](#)
- Overview (4-door): [⇒ item 11 \(page 10\)](#)
- Overview (5-door): [⇒ item 11 \(page 15\)](#)
- Overview (Cabriolet): [⇒ item 9 \(page 19\)](#)

**7 - Seat occupied recognition control unit -J706-**

- Fitting location and connectors: [⇒ page 121](#)
- Overview (4-door): [⇒ item 9 \(page 9\)](#)
- Overview (5-door): [⇒ item 9 \(page 14\)](#)
- Overview (Cabriolet): [⇒ item 10 \(page 19\)](#)

**8 - Interior mirror -EX5-**

- Fitting location and connectors: [⇒ page 88](#)
- Overview (4-door): [⇒ item 10 \(page 10\)](#)
- Overview (5-door): [⇒ item 10 \(page 14\)](#)
- Overview (Cabriolet): [⇒ item 8 \(page 19\)](#)

**8 - Front camera for driver assist systems -R242-**

- Fitting location and connectors: [⇒ page 92](#)
- Overview (4-door): [⇒ item 10 \(page 10\)](#)
- Overview (5-door): [⇒ item 10 \(page 15\)](#)
- Overview (Cabriolet): [⇒ item 8 \(page 19\)](#)

**9 - Multimedia system operating unit -E380-**

- Fitting location and connectors (MMI): ⇒ [page 91](#)
- Overview (4-door): ⇒ [item 12 \(page 10\)](#)
- Overview (5-door): ⇒ [item 12 \(page 15\)](#)
- Overview (Cabriolet): ⇒ [item 11 \(page 20\)](#)

**10 - Control unit for front right belt tensioner -J855-**

- Fitting location and connectors: ⇒ [page 114](#)
- Overview (4-door): ⇒ [item 16 \(page 10\)](#)
- Overview (5-door): ⇒ [item 15 \(page 15\)](#)
- Overview (Cabriolet): ⇒ [item 14 \(page 20\)](#)

**11 - Sliding sunroof adjustment control unit -J245-**

- Fitting location and connectors: ⇒ [page 96](#)
- Overview (4-door): ⇒ [item 15 \(page 10\)](#)
- Overview (5-door): ⇒ [item 16 \(page 15\)](#)

**12 - Fuel pump control unit -J538-**

- Fitting location and connectors for petrol engines: ⇒ [page 38](#)
- Fitting location and connectors for diesel engines: ⇒ [page 39](#)
- Overview (4-door): ⇒ [item 19 \(page 11\)](#)
- Overview (5-door): ⇒ [item 19 \(page 15\)](#)
- Overview (Cabriolet): ⇒ [item 17 \(page 20\)](#)

**13 - Control unit for front left belt tensioner -J854-**

- Fitting location and connectors: ⇒ [page 114](#)
- Overview (4-door): ⇒ [item 20 \(page 11\)](#)
- Overview (5-door): ⇒ [item 20 \(page 15\)](#)
- Overview (Cabriolet): ⇒ [item 19 \(page 20\)](#)

**14 - Digital sound package control unit -J525-**

- Fitting location and connectors: ⇒ [page 36](#)
- Overview (4-door): ⇒ [item 21 \(page 11\)](#)
- Overview (5-door): ⇒ [item 21 \(page 15\)](#)
- Overview (Cabriolet): ⇒ [item 21 \(page 20\)](#)

**15 - Electronically controlled damping control unit -J250-**

- Fitting location and connectors: [⇒ page 35](#)
- Overview (4-door): [⇒ item 13 \(page 10\)](#)
- Overview (5-door): [⇒ item 13 \(page 15\)](#)
- Overview (Cabriolet): [⇒ item 22 \(page 20\)](#)

**16 - Multifunction steering wheel control unit -J453-**

- Fitting location and connectors: [⇒ page 108](#)
- Overview (4-door): [⇒ item 23 \(page 11\)](#)
- Overview (5-door): [⇒ item 23 \(page 16\)](#)
- Overview (Cabriolet): [⇒ item 23 \(page 20\)](#)

**17 - Driver door control unit -J386-**

- Fitting location and connectors: [⇒ page 62](#)
- Overview (4-door): [⇒ item 22 \(page 11\)](#)
- Overview (5-door): [⇒ item 22 \(page 16\)](#)
- Overview (Cabriolet): [⇒ item 20 \(page 20\)](#)

**18 - Steering column electronics control unit -J527-**

- Fitting location and connectors without heated steering wheel, up to June 2018: [⇒ page 64](#)
- Fitting location and connectors with heated steering wheel, up to June 2018: [⇒ page 65](#)
- Fitting location and connectors without heated steering wheel, from July 2018: [⇒ page 66](#)
- Fitting location and connectors with heated steering wheel, from July 2018: [⇒ page 67](#)
- Overview (4-door): [⇒ item 24 \(page 11\)](#)
- Overview (5-door): [⇒ item 24 \(page 16\)](#)
- Overview (Cabriolet): [⇒ item 24 \(page 20\)](#)

**18 - Control unit for electronic steering column lock -J764-**

- Fitting location and connectors, up to June 2018: [⇒ page 48](#)
- Fitting location and connectors, from July 2018: [⇒ page 49](#)
- Overview (4-door): [⇒ item 24 \(page 11\)](#)
- Overview (5-door): [⇒ item 24 \(page 16\)](#)
- Overview (Cabriolet): [⇒ item 24 \(page 21\)](#)

**19 - Control unit in dash panel insert -J285-**

- Fitting location and 18-pin connector: ⇒ [page 43](#)
- Fitting location and 32-pin connector: ⇒ [page 44](#)
- Overview (4-door): ⇒ [item 2 \(page 9\)](#)
- Overview (5-door): ⇒ [item 2 \(page 14\)](#)
- Overview (Cabriolet): ⇒ [item 25 \(page 21\)](#)

**20 - CAN bus control unit -J916-**

- Fitting location and connectors: ⇒ [page 70](#)
- Overview (4-door): ⇒ [item 25 \(page 11\)](#)
- Overview (5-door): ⇒ [item 25 \(page 16\)](#)
- Overview (Cabriolet): ⇒ [item 26 \(page 21\)](#)

**21 - Onboard supply control unit -J519-**

- Fitting location and connectors: ⇒ [page 58](#)
- Overview (4-door): ⇒ [item 26 \(page 11\)](#)
- Overview (5-door): ⇒ [item 26 \(page 16\)](#)
- Overview (Cabriolet): ⇒ [item 27 \(page 21\)](#)

**22 - Entry and start authorisation control unit -J518-**

- Fitting location and connectors, up to June 2018: ⇒ [page 54](#)
- Fitting location and connectors, from July 2018: ⇒ [page 55](#)
- Overview (4-door): ⇒ [item 27 \(page 11\)](#)
- Overview (5-door): ⇒ [item 27 \(page 16\)](#)
- Overview (Cabriolet): ⇒ [item 28 \(page 21\)](#)

**23 - Park assist steering control unit -J791-**

- Fitting location and connectors: ⇒ [page 61](#)
- Overview (4-door): ⇒ [item 28 \(page 11\)](#)
- Overview (5-door): ⇒ [item 28 \(page 16\)](#)
- Overview (Cabriolet): ⇒ [item 29 \(page 21\)](#)

**23 - Parking aid control unit -J446-**

- Fitting location and connectors: ⇒ [page 61](#)
- Overview (4-door): ⇒ [item 28 \(page 11\)](#)
- Overview (5-door): ⇒ [item 28 \(page 16\)](#)
- Overview (Cabriolet): ⇒ [item 29 \(page 21\)](#)

**24 - Data bus diagnostic interface -J533-**

- Fitting location and connectors: ⇒ [page 59](#)
- Overview (4-door): ⇒ [item 29 \(page 12\)](#)
- Overview (5-door): ⇒ [item 29 \(page 16\)](#)
- Overview (Cabriolet): ⇒ [item 30 \(page 21\)](#)

**25 - Airbag control unit -J234-**

- Fitting location and connectors: ⇒ [page 60](#)
- Overview (4-door): ⇒ [item 30 \(page 12\)](#)
- Overview (5-door): ⇒ [item 30 \(page 16\)](#)
- Overview (Cabriolet): ⇒ [item 31 \(page 21\)](#)

**26 - Headlight range control unit -J431-**

- Fitting location and connectors: ⇒ [page 68](#)
- Overview (4-door): ⇒ [item 31 \(page 12\)](#)
- Overview (5-door): ⇒ [item 31 \(page 17\)](#)
- Overview (Cabriolet): ⇒ [item 32 \(page 21\)](#)

**26 - Control unit for cornering light and headlight range control -J745-**

- Location and connectors, up to April 2017: ⇒ [page 68](#)
- Location and connectors, from May 2017: ⇒ [page 69](#)
- Overview (4-door): ⇒ [item 31 \(page 12\)](#)
- Overview (5-door): ⇒ [item 31 \(page 16\)](#)
- Overview (Cabriolet): ⇒ [item 32 \(page 21\)](#)

## 1.2 Overview of control units in interior of vehicle (4-door models)



### Note

- ◆ *Overview of control units (3-door) ⇒ [page 1](#)*
- ◆ *Overview of control units (5-door) ⇒ [page 13](#)*
- ◆ *Overview of control units (Cabriolet) ⇒ [page 18](#)*

**1 - Entry and start authorisation control unit -J518-**

- For models with US equipment only
- Fitting location and connectors, up to June 2018: ⇒ [page 106](#)
- Fitting location and connectors, from July 2018: ⇒ [page 107](#)

**2 - Control unit in dash panel insert -J285-**

- Fitting location and 18-pin connector: ⇒ [page 43](#)
- Fitting location and 32-pin connector: ⇒ [page 44](#)

**3 - Fresh air blower control unit -J126-**

- Fitting location and connectors: ⇒ [page 110](#)

**4 - Chip card reader control unit -J676-**

- Fitting location and connectors: ⇒ [page 119](#)
- Overview (5-door): ⇒ [item 4 \(page 14\)](#)
- Overview (Cabriolet): ⇒ [item 4 \(page 19\)](#)

**5 - Front passenger door control unit -J387-**

- Fitting location and connectors: ⇒ [page 63](#)

**6 - Control unit 1 for information electronics -J794-**

- Location and connectors, radio, up to July 2016: ⇒ [page 97](#)
- Location and connectors, MMI with radio, up to April 2016: ⇒ [page 101](#)
- Location and connectors, MMI high, up to April 2016: ⇒ [page 93](#)
- Location and connectors, MMI radio (I8E), from May 2016: ⇒ [page 98](#)
- Location and connectors, MMI Navigation plus, from May 2016: ⇒ [page 99](#)

**7 - Display unit for front information display and operating unit control unit -J685-**

- Fitting location and connectors: ⇒ [page 90](#)

**7 - Multimedia system operating unit -E380-**

- Fitting location and connectors (radio): ⇒ [page 100](#)
- Fitting location and connectors (MMI): ⇒ [item 12 \(page 10\)](#)

**8 - Air conditioning system control unit -J301-**

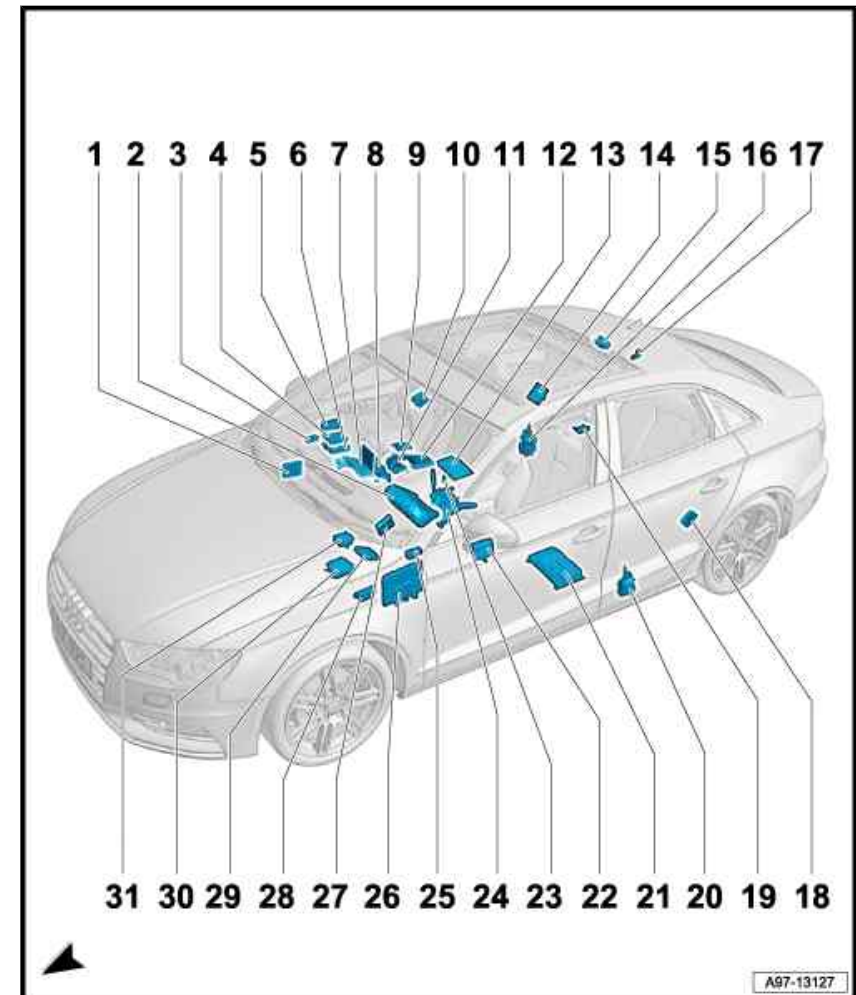
- Fitting location and connectors: ⇒ [page 56](#)

**8 - Climatronic control unit -J255-**

- Fitting location and connectors: ⇒ [page 57](#)

**9 - Seat occupied recognition control unit -J706-**

- Fitting location and connectors: ⇒ [page 121](#)



**10 - Interior mirror -EX5-**

- ❑ Fitting location and connectors: [⇒ page 88](#)

**10 - Front camera for driver assist systems -R242-**

- ❑ Fitting location and connectors: [⇒ page 92](#)

**11 - Selector lever sensors control unit -J587-**

- ❑ Fitting location and connectors: [⇒ page 45](#)

**12 - Multimedia system operating unit -E380-**

- ❑ Fitting location and connectors (MMI): [⇒ page 91](#)

**13 - Electronically controlled damping control unit -J250-**

- ❑ Fitting location and connectors: [⇒ page 35](#)

**14 - Rear passenger side door control unit -J927-**

- ❑ Fitting location and connectors: [⇒ page 73](#)
- ❑ Overview (5-door): [⇒ item 14 \(page 15\)](#)

**14 - Control unit with rear passenger side window regulator motor -J1017-**

- ❑ Fitting location and connectors: [⇒ page 112](#)
- ❑ Overview (5-door): [⇒ item 14 \(page 15\)](#)
- ❑ Overview (Cabriolet): [⇒ item 13 \(page 20\)](#)

**15 - Sliding sunroof adjustment control unit -J245-**

- ❑ Fitting location and connectors: [⇒ page 96](#)

**16 - Control unit for front right belt tensioner -J855-**

- ❑ Fitting location and connectors: [⇒ page 114](#)

**17 - Control unit for fuel tank leak detection -J909-**

- ❑ Fitting location and connectors: [⇒ page 120](#)
- ❑ Overview (5-door): [⇒ item 17 \(page 15\)](#)
- ❑ Overview (Cabriolet): [⇒ item 15 \(page 20\)](#)

**18 - Rear driver side door control unit -J926-**

- ❑ Fitting location and connectors: [⇒ page 72](#)
- ❑ Overview (5-door): [⇒ item 18 \(page 15\)](#)

**18 - Control unit with rear driver side window regulator motor -J1016-**

- ❑ Fitting location and connectors: [⇒ page 112](#)
- ❑ Overview (5-door): [⇒ item 18 \(page 15\)](#)
- ❑ Overview (Cabriolet): [⇒ item 16 \(page 20\)](#)

**19 - Fuel pump control unit -J538-**

- Fitting location and connectors for petrol engines: ⇒ [page 38](#)
- Fitting location and connectors for diesel engines: ⇒ [page 39](#)

**20 - Control unit for front left belt tensioner -J854-**

- Fitting location and connectors: ⇒ [page 114](#)

**21 - Digital sound package control unit -J525-**

- Fitting location and connectors: ⇒ [page 36](#)

**22 - Driver door control unit -J386-**

- Fitting location and connectors: ⇒ [page 62](#)

**23 - Multifunction steering wheel control unit -J453-**

- Fitting location and connectors: ⇒ [page 108](#)

**24 - Steering column electronics control unit -J527-**

- Fitting location and connectors without heated steering wheel, up to June 2018: ⇒ [page 64](#)
- Fitting location and connectors with heated steering wheel, up to June 2018: ⇒ [page 65](#)
- Fitting location and connectors without heated steering wheel, from July 2018: ⇒ [page 66](#)
- Fitting location and connectors with heated steering wheel, from July 2018: ⇒ [page 67](#)

**24 - Control unit for electronic steering column lock -J764-**

- Fitting location and connectors, up to June 2018: ⇒ [page 48](#)
- Fitting location and connectors, from July 2018: ⇒ [page 49](#)

**25 - CAN bus control unit -J916-**

- Fitting location and connectors: ⇒ [page 70](#)

**26 - Onboard supply control unit -J519-**

- Fitting location and connectors: ⇒ [page 58](#)

**27 - Entry and start authorisation control unit -J518-**

- For models with no US equipment only
- For models with US equipment: ⇒ [item 1 \(page 9\)](#)
- Fitting location and connectors, up to June 2018: ⇒ [page 54](#)
- Fitting location and connectors, from July 2018: ⇒ [page 55](#)

**28 - Park assist steering control unit -J791-**

- Fitting location and connectors: ⇒ [page 61](#)

**28 - Parking aid control unit -J446-**

- Fitting location and connectors: ⇒ [page 61](#)

**29 - Data bus diagnostic interface -J533-**

- Fitting location and connectors: ⇒ [page 59](#)

**30 - Airbag control unit -J234-**

- Fitting location and connectors: ⇒ [page 60](#)

**31 - Control unit for cornering light and headlight range control -J745-**

- Location and connectors, up to April 2017: ⇒ [page 68](#)
- Location and connectors, from May 2017: ⇒ [page 69](#)

**31 - Headlight range control unit -J431-**

- Fitting location and connectors: ⇒ [page 68](#)

### 1.3 Overview of control units in interior of vehicle (5-door models)



#### Note

- ◆ *Overview of control units (3-door) ⇒ [page 1](#)*
- ◆ *Overview of control units (4-door) ⇒ [page 8](#)*
- ◆ *Overview of control units (Cabriolet) ⇒ [page 18](#)*

### 1 - Entry and start authorisation control unit -J518-

- For models with US equipment only
- Fitting location and connectors, up to June 2018: ⇒ [page 106](#)
- Fitting location and connectors, from July 2018: ⇒ [page 107](#)

### 2 - Control unit in dash panel insert -J285-

- Fitting location and 18-pin connector: ⇒ [page 43](#)
- Fitting location and 32-pin connector: ⇒ [page 44](#)

### 3 - Fresh air blower control unit -J126-

- Fitting location and connectors: ⇒ [page 110](#)

### 4 - Chip card reader control unit -J676-

- Fitting location and connectors: ⇒ [page 119](#)

### 5 - Front passenger door control unit -J387-

- Fitting location and connectors: ⇒ [page 63](#)

### 6 - Control unit 1 for information electronics -J794-

- Location and connectors, radio, up to July 2016: ⇒ [page 97](#)
- Location and connectors, MMI with radio, up to April 2016: ⇒ [page 101](#)
- Location and connectors, MMI high, up to April 2016: ⇒ [page 93](#)
- Location and connectors, MMI radio (I8E), from May 2016: ⇒ [page 98](#)
- Location and connectors, MMI Navigation plus, from May 2016: ⇒ [page 99](#)

### 7 - Display unit for front information display and operating unit control unit -J685-

- Fitting location and connectors: ⇒ [page 90](#)

### 7 - Multimedia system operating unit -E380-

- Fitting location and connectors (radio): ⇒ [page 100](#)
- Fitting location and connectors (MMI): ⇒ [item 12 \(page 15\)](#)

### 8 - Air conditioning system control unit -J301-

- Fitting location and connectors: ⇒ [page 56](#)

### 8 - Climatronic control unit -J255-

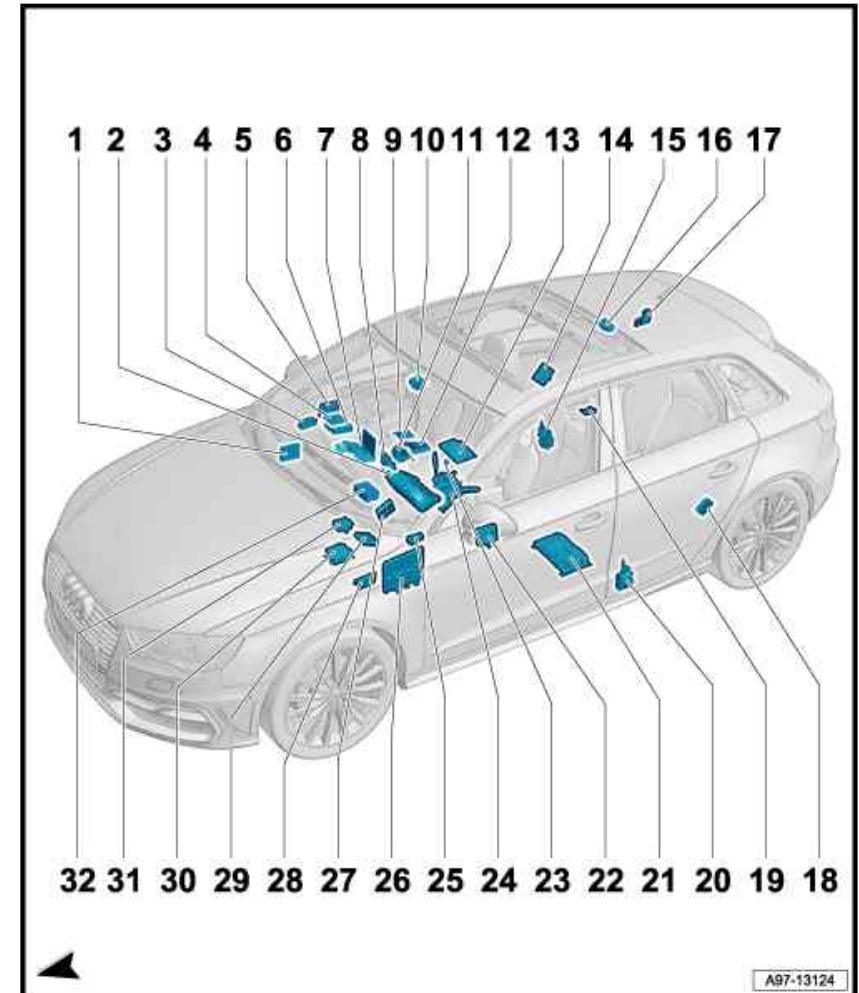
- Fitting location and connectors: ⇒ [page 57](#)

### 9 - Seat occupied recognition control unit -J706-

- Fitting location and connectors: ⇒ [page 121](#)

### 10 - Interior mirror -EX5-

- Fitting location and connectors: ⇒ [page 88](#)



**10 - Front camera for driver assist systems -R242-**

- ❑ Fitting location and connectors: [⇒ page 92](#)

**11 - Selector lever sensors control unit -J587-**

- ❑ Fitting location and connectors: [⇒ page 45](#)

**12 - Multimedia system operating unit -E380-**

- ❑ Fitting location and connectors (MMI): [⇒ page 91](#)

**13 - Electronically controlled damping control unit -J250-**

- ❑ Fitting location and connectors: [⇒ page 35](#)

**13 - Engine sound generator control unit -J943-**

- ❑ Fitting location and connectors: [⇒ page 105](#)

**14 - Rear passenger side door control unit -J927-**

- ❑ Fitting location and connectors: [⇒ page 73](#)

**14 - Control unit with rear passenger side window regulator motor -J1017-**

- ❑ Fitting location and connectors: [⇒ page 112](#)

**15 - Control unit for front right belt tensioner -J855-**

- ❑ Fitting location and connectors: [⇒ page 114](#)

**16 - Sliding sunroof adjustment control unit -J245-**

- ❑ Fitting location and connectors: [⇒ page 96](#)

**17 - Control unit for fuel tank leak detection -J909-**

- ❑ Fitting location and connectors: [⇒ page 120](#)

**18 - Rear driver side door control unit -J926-**

- ❑ Fitting location and connectors: [⇒ page 72](#)

**18 - Control unit with rear driver side window regulator motor -J1016-**

- ❑ Fitting location and connectors: [⇒ page 112](#)

**19 - Fuel pump control unit -J538-**

- ❑ Fitting location and connectors for petrol engines: [⇒ page 38](#)
- ❑ Fitting location and connectors for diesel engines: [⇒ page 39](#)

**20 - Control unit for front left belt tensioner -J854-**

- ❑ Fitting location and connectors: [⇒ page 114](#)

**21 - Digital sound package control unit -J525-**

- ❑ Fitting location and connectors: [⇒ page 36](#)

**22 - Driver door control unit -J386-**

- ❑ Fitting location and connectors: [⇒ page 62](#)

**23 - Multifunction steering wheel control unit -J453-**

- ❑ Fitting location and connectors: [⇒ page 108](#)

**24 - Steering column electronics control unit -J527-**

- ❑ Fitting location and connectors without heated steering wheel, up to June 2018: [⇒ page 64](#)
- ❑ Fitting location and connectors with heated steering wheel, up to June 2018: [⇒ page 65](#)
- ❑ Fitting location and connectors without heated steering wheel, from July 2018: [⇒ page 66](#)
- ❑ Fitting location and connectors with heated steering wheel, from July 2018: [⇒ page 67](#)

**24 - Control unit for electronic steering column lock -J764-**

- ❑ Fitting location and connectors, up to June 2018: [⇒ page 48](#)
- ❑ Fitting location and connectors, from July 2018: [⇒ page 49](#)

**25 - CAN bus control unit -J916-**

- ❑ Fitting location and connectors: [⇒ page 70](#)

**26 - Onboard supply control unit -J519-**

- ❑ Fitting location and connectors: [⇒ page 58](#)

**27 - Entry and start authorisation control unit -J518-**

- ❑ For models with no US equipment only
- ❑ For models with US equipment: [⇒ item 1 \(page 14\)](#)
- ❑ Fitting location and connectors, up to June 2018: [⇒ page 54](#)
- ❑ Fitting location and connectors, from July 2018: [⇒ page 55](#)

**28 - Park assist steering control unit -J791-**

- ❑ Fitting location and connectors: [⇒ page 61](#)

**28 - Parking aid control unit -J446-**

- ❑ Fitting location and connectors: [⇒ page 61](#)

**29 - Data bus diagnostic interface -J533-**

- ❑ Fitting location and connectors: [⇒ page 59](#)

**30 - Airbag control unit -J234-**

- ❑ Fitting location and connectors: [⇒ page 60](#)

**31 - Control unit for cornering light and headlight range control -J745-**

- ❑ Location and connectors, up to April 2017: [⇒ page 68](#)
- ❑ Location and connectors, from May 2017: [⇒ page 69](#)

**31 - Headlight range control unit -J431-**

- ❑ Fitting location and connectors: [⇒ page 68](#)

**32 - Emergency call module control unit and communication unit -J949-**

- ❑ Fitting location and connectors: [⇒ page 104](#)

## 1.4 Overview of control units in interior of vehicle (Cabriolet)



### Note

- ◆ *Overview of control units (3-door) ⇒ [page 1](#)*
- ◆ *Overview of control units (4-door) ⇒ [page 8](#)*
- ◆ *Overview of control units (5-door) ⇒ [page 13](#)*

**1 - Entry and start authorisation control unit -J518-**

- For models with US equipment only
- Fitting location and connectors, up to June 2018: [⇒ page 106](#)
- Fitting location and connectors, from July 2018: [⇒ page 107](#)

**2 - Fresh air blower control unit -J126-**

- Fitting location and connectors: [⇒ page 110](#)

**3 - Control unit 1 for information electronics -J794-**

- Location and connectors, radio, up to July 2016: [⇒ page 97](#)
- Location and connectors, MMI with radio, up to April 2016: [⇒ page 101](#)
- Location and connectors, MMI high, up to April 2016: [⇒ page 93](#)
- Location and connectors, MMI radio (I8E), from May 2016: [⇒ page 98](#)
- Location and connectors, MMI Navigation plus, from May 2016: [⇒ page 99](#)

**4 - Chip card reader control unit -J676-**

- Fitting location and connectors: [⇒ page 119](#)

**5 - Display unit for front information display and operating unit control unit -J685-**

- Fitting location and connectors: [⇒ page 90](#)

**5 - Multimedia system operating unit -E380-**

- Fitting location and connectors (radio): [⇒ page 100](#)
- Fitting location and connectors (MMI): [⇒ item 11 \(page 20\)](#)

**6 - Front passenger door control unit -J387-**

- Fitting location and connectors: [⇒ page 85](#)

**7 - Air conditioning system control unit -J301-**

- Fitting location and connectors: [⇒ page 56](#)

**7 - Climatronic control unit -J255-**

- Fitting location and connectors: [⇒ page 57](#)

**8 - Interior mirror -EX5-**

- Fitting location and connectors: [⇒ page 88](#)

**8 - Front camera for driver assist systems -R242-**

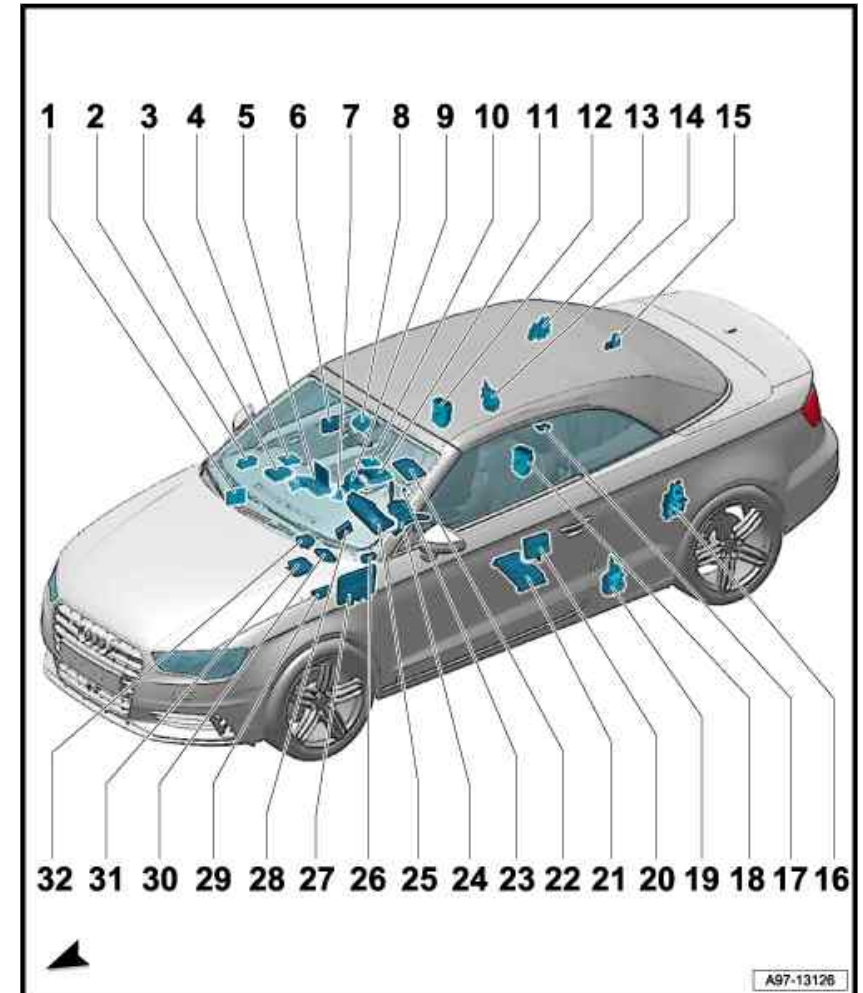
- Fitting location and connectors: [⇒ page 92](#)

**9 - Selector lever sensors control unit -J587-**

- Fitting location and connectors: [⇒ page 45](#)

**10 - Seat occupied recognition control unit -J706-**

- Fitting location and connectors: [⇒ page 121](#)



- 11 - Multimedia system operating unit -E380-**
  - ❑ Fitting location and connectors (MMI): [⇒ page 91](#)
- 12 - Control unit for right neck heating -J847-**
  - ❑ Fitting location and connectors: [⇒ page 122](#)
- 13 - Control unit with rear passenger side window regulator motor -J1017-**
  - ❑ Fitting location and connectors: [⇒ page 113](#)
- 14 - Control unit for front right belt tensioner -J855-**
  - ❑ Fitting location and connectors: [⇒ page 109](#)
- 15 - Control unit for fuel tank leak detection -J909-**
  - ❑ Fitting location and connectors: [⇒ page 120](#)
- 16 - Control unit with rear driver side window regulator motor -J1016-**
  - ❑ Fitting location and connectors: [⇒ page 113](#)
- 17 - Fuel pump control unit -J538-**
  - ❑ Fitting location and connectors for petrol engines: [⇒ page 38](#)
  - ❑ Fitting location and connectors for diesel engines: [⇒ page 39](#)
- 18 - Control unit for left neck heating -J846-**
  - ❑ Fitting location and connectors: [⇒ page 122](#)
- 19 - Control unit for front left belt tensioner -J854-**
  - ❑ Fitting location and connectors: [⇒ page 109](#)
- 20 - Driver door control unit -J386-**
  - ❑ Fitting location and connectors: [⇒ page 84](#)
- 21 - Digital sound package control unit -J525-**
  - ❑ Fitting location and connectors: [⇒ page 36](#)
- 22 - Electronically controlled damping control unit -J250-**
  - ❑ Fitting location and connectors: [⇒ page 35](#)
- 23 - Multifunction steering wheel control unit -J453-**
  - ❑ Fitting location and connectors: [⇒ page 108](#)
- 24 - Steering column electronics control unit -J527-**
  - ❑ Fitting location and connectors without heated steering wheel, up to June 2018: [⇒ page 64](#)
  - ❑ Fitting location and connectors with heated steering wheel, up to June 2018: [⇒ page 65](#)
  - ❑ Fitting location and connectors without heated steering wheel, from July 2018: [⇒ page 66](#)
  - ❑ Fitting location and connectors with heated steering wheel, from July 2018: [⇒ page 67](#)

**24 - Control unit for electronic steering column lock -J764-**

- Fitting location and connectors, up to June 2018: ⇒ [page 48](#)
- Fitting location and connectors, from July 2018: ⇒ [page 49](#)

**25 - Control unit in dash panel insert -J285-**

- Fitting location and 18-pin connector: ⇒ [page 43](#)
- Fitting location and 32-pin connector: ⇒ [page 44](#)

**26 - CAN bus control unit -J916-**

- Fitting location and connectors: ⇒ [page 70](#)

**27 - Onboard supply control unit -J519-**

- Fitting location and connectors: ⇒ [page 58](#)

**28 - Entry and start authorisation control unit -J518-**

- For models with no US equipment only
- For models with US equipment: ⇒ [item 1 \(page 19\)](#)
- Fitting location and connectors, up to June 2018: ⇒ [page 54](#)
- Fitting location and connectors, from July 2018: ⇒ [page 55](#)

**29 - Park assist steering control unit -J791-**

- Fitting location and connectors: ⇒ [page 61](#)

**29 - Parking aid control unit -J446-**

- Fitting location and connectors: ⇒ [page 61](#)

**30 - Data bus diagnostic interface -J533-**

- Fitting location and connectors: ⇒ [page 59](#)

**31 - Airbag control unit -J234-**

- Fitting location and connectors: ⇒ [page 60](#)

**32 - Headlight range control unit -J431-**

- Fitting location and connectors: ⇒ [page 68](#)

**32 - Control unit for cornering light and headlight range control -J745-**

- Location and connectors, up to April 2017: ⇒ [page 68](#)
- Location and connectors, from May 2017: ⇒ [page 69](#)

## 1.5 Overview of control units in rear part of vehicle (3-door)



### Note

- ◆ *Overview of control units (4-door) ⇒ [page 25](#)*
- ◆ *Overview of control units (5-door) ⇒ [page 28](#)*
- ◆ *Overview of additional control units and components (5-door, with hybrid drive) ⇒ [page 31](#)*
- ◆ *Overview of control units (Cabriolet) ⇒ [page 33](#)*

**1 - Special vehicle control unit -J608-**

- for models with driving aids only
- Fitting location and connectors: ⇒ [page 71](#)
- Overview (4-door): ⇒ [item 1 \(page 26\)](#)
- Overview (5-door): ⇒ [item 1 \(page 29\)](#)
- Overview (Cabriolet): ⇒ [item 6 \(page 34\)](#)

**2 - Lane change assist control unit -J769-**

- Location and connectors, up to April 2016: ⇒ [page 52](#)
- Location and connectors, from May 2016: ⇒ [page 53](#)
- Overview (4-door): ⇒ [item 2 \(page 26\)](#)
- Overview (5-door): ⇒ [item 2 \(page 29\)](#)
- Overview (Cabriolet): ⇒ [item 3 \(page 34\)](#)

**3 - Remote control receiver for auxiliary heater -R64-**

- Fitting location and connectors: ⇒ [page 42](#)
- Overview (4-door): ⇒ [item 6 \(page 26\)](#)
- Overview (5-door): ⇒ [item 3 \(page 29\)](#)

**4 - Reversing camera system control unit -J772-**

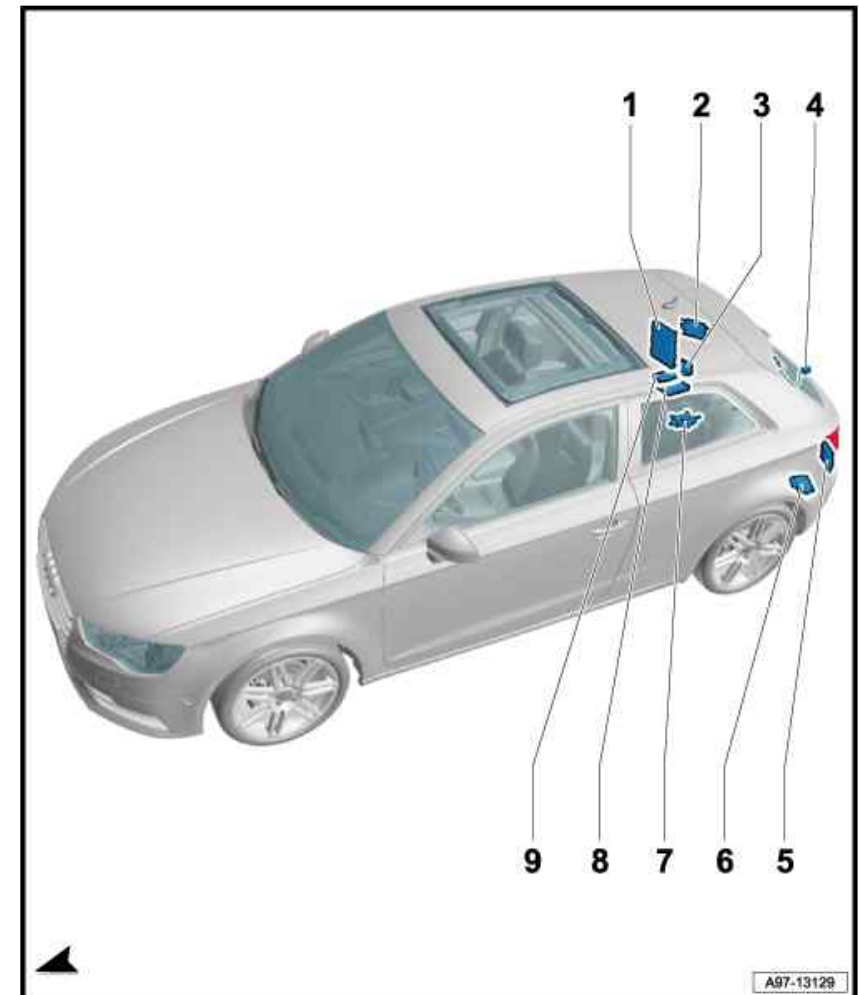
- Location and connectors, from May 2016: ⇒ [page 111](#)
- Overview (4-door): ⇒ [item 3 \(page 26\)](#)
- Overview (5-door): ⇒ [item 4 \(page 29\)](#)
- Overview (Cabriolet): ⇒ [item 4 \(page 34\)](#)

**5 - Lane change assist control unit 2 -J770-**

- Location and connectors, up to April 2016: ⇒ [page 50](#)
- Location and connectors, from May 2016: ⇒ [page 51](#)
- Overview (4-door): ⇒ [item 4 \(page 26\)](#)
- Overview (5-door): ⇒ [item 5 \(page 29\)](#)
- Overview (Cabriolet): ⇒ [item 5 \(page 34\)](#)

**6 - Trailer detector control unit -J345-**

- Location and connectors, up to April 2014: ⇒ [page 46](#)
- Location and connectors, from May 2014: ⇒ [page 47](#)
- Overview (4-door): ⇒ [item 5 \(page 26\)](#)
- Overview (5-door): ⇒ [item 6 \(page 29\)](#)
- Overview (Cabriolet): ⇒ [item 6 \(page 34\)](#)



**7 - All-wheel drive control unit -J492-**

- Fitting location and connectors: ⇒ [page 89](#)
- Overview (4-door): ⇒ [item 8 \(page 27\)](#)
- Overview (5-door): ⇒ [item 8 \(page 30\)](#)
- Overview (Cabriolet): ⇒ [item 1 \(page 34\)](#)

**8 - Reversing camera system control unit -J772-**

- Location and connectors, up to April 2016: ⇒ [page 37](#)
- Location and connectors, from May 2016: ⇒ [item 4 \(page 23\)](#)
- Overview (4-door): ⇒ [item 6 \(page 26\)](#)
- Overview (5-door): ⇒ [item 9 \(page 30\)](#)
- Overview (Cabriolet): ⇒ [item 6 \(page 34\)](#)

**9 - Aerial amplifier for mobile telephone -R86-**

- Fitting location and connectors: ⇒ [page 41](#)
- Overview (4-door): ⇒ [item 1 \(page 26\)](#)
- Overview (5-door): ⇒ [item 10 \(page 30\)](#)
- Overview (Cabriolet): ⇒ [item 2 \(page 34\)](#)

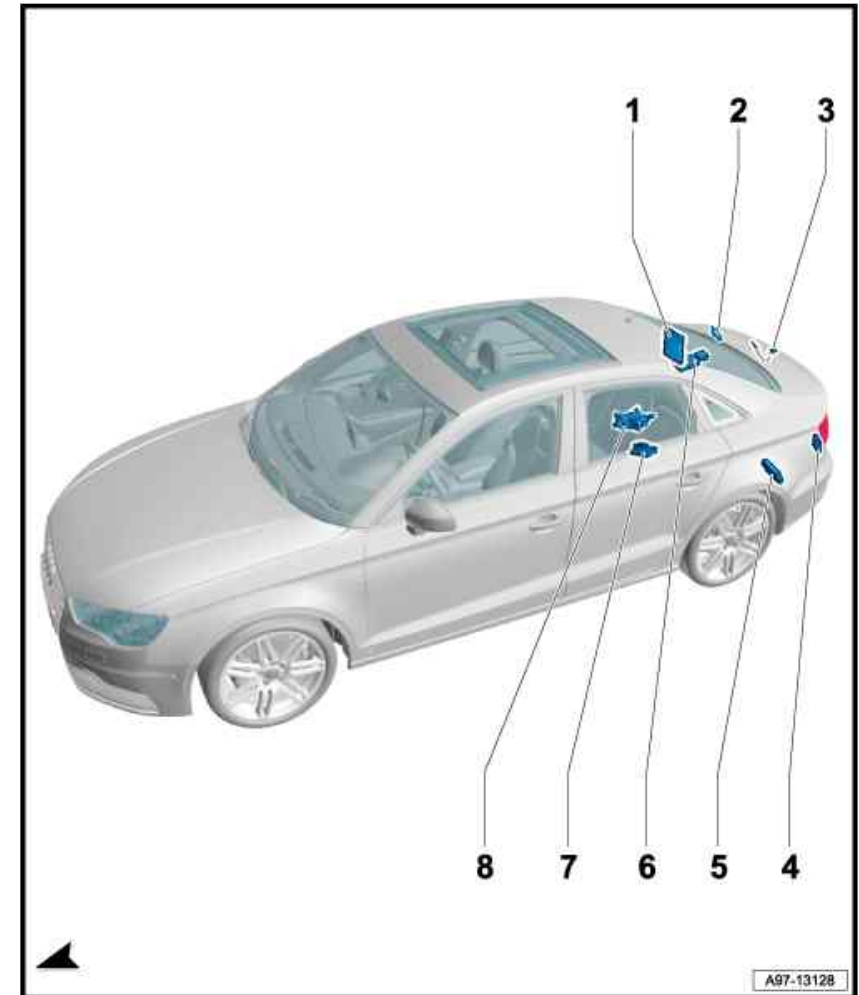
## 1.6 Overview of control units in rear part of vehicle (4-door)



### Note

- ◆ *Overview of control units (3-door) ⇒ [page 22](#)*
- ◆ *Overview of control units (5-door) ⇒ [page 28](#)*
- ◆ *Overview of additional control units and components (5-door, with hybrid drive) ⇒ [page 31](#)*
- ◆ *Overview of control units (Cabriolet) ⇒ [page 33](#)*

- 1 - Special vehicle control unit -J608-**
  - ❑ Fitting location and connectors: [⇒ page 79](#)
- 1 - TV tuner -R78-**
  - ❑ Fitting location and connectors: [⇒ page 95](#)
  - ❑ Overview (5-door): [⇒ item 1 \(page 29\)](#)
- 1 - Aerial amplifier for mobile telephone -R86-**
  - ❑ Fitting location and connectors: [⇒ page 74](#)
- 2 - Lane change assist control unit -J769-**
  - ❑ Location and connectors, up to April 2016: [⇒ page 52](#)
  - ❑ Location and connectors, from May 2016: [⇒ page 53](#)
- 2 - Tyre Pressure Monitoring System control unit -J502-**
  - ❑ Fitting location and connectors: [⇒ page 40](#)
  - ❑ Overview (5-door): [⇒ item 2 \(page 29\)](#)
- 3 - Reversing camera system control unit -J772-**
  - ❑ Location and connectors, from May 2016: [⇒ page 111](#)
- 4 - Lane change assist control unit 2 -J770-**
  - ❑ Location and connectors, up to April 2016: [⇒ page 50](#)
  - ❑ Location and connectors, from May 2016: [⇒ page 51](#)
- 5 - Trailer detector control unit -J345-**
  - ❑ Location and connectors, up to April 2014: [⇒ page 77](#)
  - ❑ Location and connectors, from May 2014: [⇒ page 78](#)
- 6 - Reversing camera system control unit -J772-**
  - ❑ Location and connectors, up to April 2016: [⇒ page 75](#)
  - ❑ Location and connectors, from May 2016: [⇒ item 3 \(page 26\)](#)
- 6 - Remote control receiver for auxiliary heater -R64-**
  - ❑ Fitting location and connectors: [⇒ page 76](#)



**7 - Control unit for reducing agent heater -J891-**

- Fitting location and connectors, up to June 2018: ⇒ [page 115](#)
- For models from July 2018, deviating fitting position
- Fitting location and connectors, for rear axle with all-wheel drive (1X1), from July 2018: ⇒ [page 116](#)
- Fitting location and connectors, for 4-guide axle (0N4) and front-wheel drive (1X0), from July 2018: ⇒ [page 117](#)
- Fitting location and connectors, for rear axle standard (0N1), from July 2018: ⇒ [page 118](#)
- Overview (5-door): ⇒ [item 7 \(page 29\)](#)
- Overview (Cabriolet): ⇒ [item 7 \(page 34\)](#)

**8 - All-wheel drive control unit -J492-**

- Fitting location and connectors: ⇒ [page 89](#)

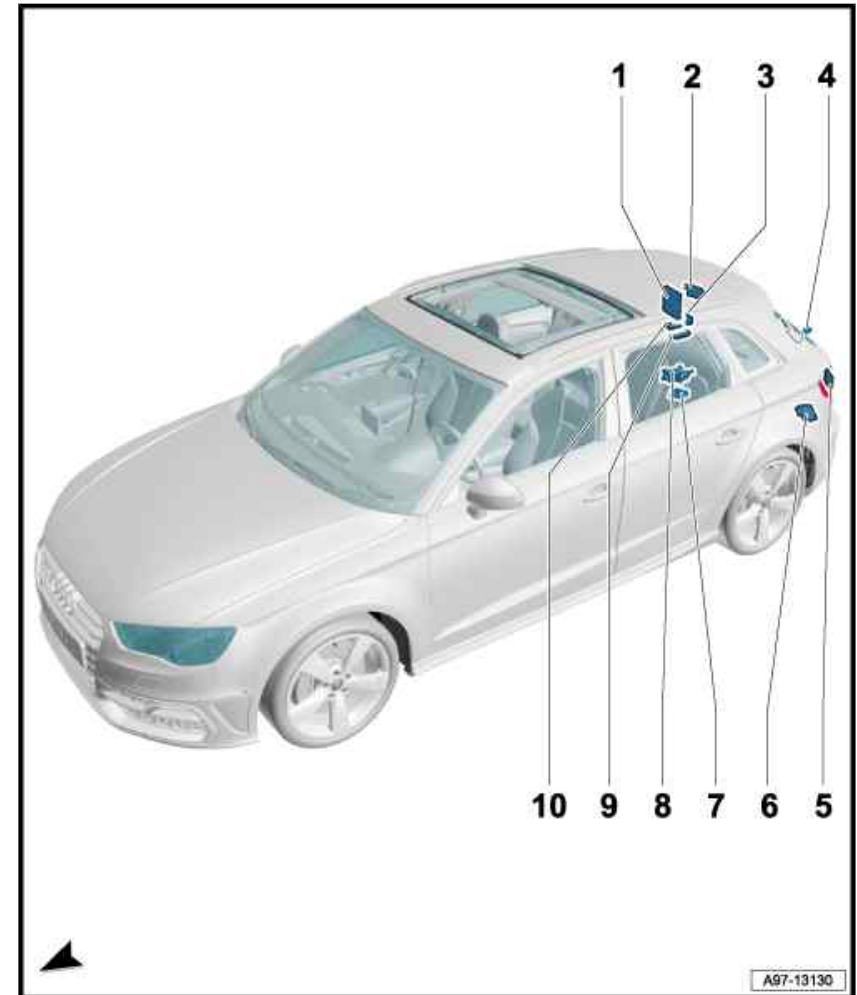
## 1.7 Overview of control units in rear part of vehicle (5-door)



### Note

- ◆ *Overview of control units (3-door) ⇒ [page 22](#)*
- ◆ *Overview of control units (4-door) ⇒ [page 25](#)*
- ◆ *Overview of additional control units and components (5-door, with hybrid drive) ⇒ [page 31](#)*
- ◆ *Overview of control units (Cabriolet) ⇒ [page 33](#)*

- 1 - Special vehicle control unit -J608-
  - for models with driving aids only
  - Fitting location and connectors: [⇒ page 71](#)
- 1 - TV tuner -R78-
  - Fitting location and connectors: [⇒ page 94](#)
- 2 - Lane change assist control unit -J769-
  - Location and connectors, up to April 2016: [⇒ page 52](#)
  - Location and connectors, from May 2016: [⇒ page 53](#)
- 2 - Tyre Pressure Monitoring System control unit -J502-
  - Fitting location and connectors: [⇒ page 40](#)
- 3 - Remote control receiver for auxiliary heater -R64-
  - Fitting location and connectors: [⇒ page 42](#)
- 4 - Reversing camera system control unit -J772-
  - Location and connectors, from May 2016: [⇒ page 111](#)
- 5 - Lane change assist control unit 2 -J770-
  - Location and connectors, up to April 2016: [⇒ page 50](#)
  - Location and connectors, from May 2016: [⇒ page 51](#)
- 6 - Trailer detector control unit -J345-
  - Location and connectors, up to April 2014: [⇒ page 46](#)
  - Location and connectors, from May 2014: [⇒ page 47](#)
- 7 - Control unit for reducing agent heater -J891-
  - Fitting location and connectors, up to June 2018: [⇒ page 115](#)
  - For models from July 2018, deviating fitting position
  - Fitting location and connectors, for rear axle with all-wheel drive (1X1), from July 2018:



[⇒ page 116](#)

- Fitting location and connectors, for 4-guide axle (0N4) and front-wheel drive (1X0), from July 2018: [⇒ page 117](#)
- Fitting location and connectors, for rear axle standard (0N1), from July 2018: [⇒ page 118](#)

**8 - All-wheel drive control unit -J492-**

- Fitting location and connectors: [⇒ page 89](#)

**9 - Reversing camera system control unit -J772-**

- Location and connectors, up to April 2016: [⇒ page 37](#)
- Location and connectors, from May 2016: [⇒ item 4 \(page 29\)](#)

**10 - Aerial amplifier for mobile telephone -R86-**

- Fitting location and connectors: [⇒ page 41](#)

## 1.8 Overview of additional control units in rear part of vehicle (5-door, with hybrid drive)



### Note

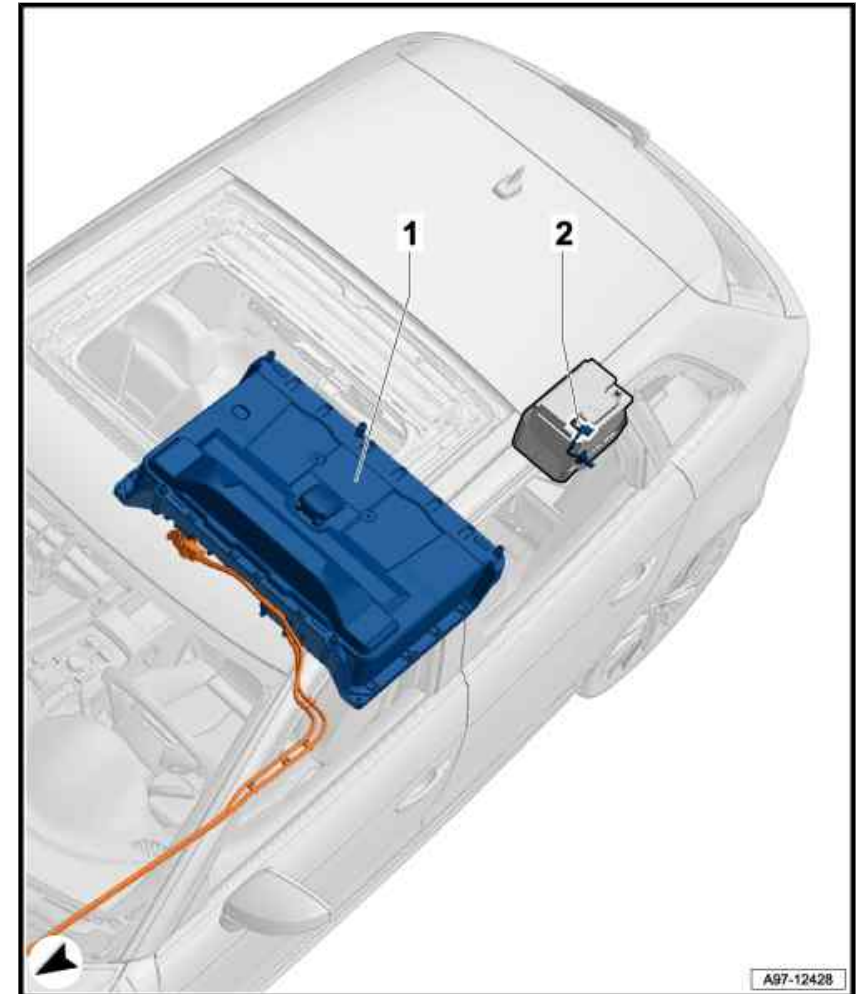
- ◆ *Overview of control units (3-door) ⇒ [page 22](#)*
- ◆ *Overview of control units (4-door) ⇒ [page 25](#)*
- ◆ *Overview of control units (5-door) ⇒ [page 28](#)*
- ◆ *Overview of control units (Cabriolet) ⇒ [page 33](#)*

**1 - Hybrid battery unit -AX1-**

- ❑ Fitting location and connectors: [⇒ page 102](#)

**2 - Battery monitor control unit -J367-**

- ❑ Fitting location and connectors: [⇒ page 103](#)



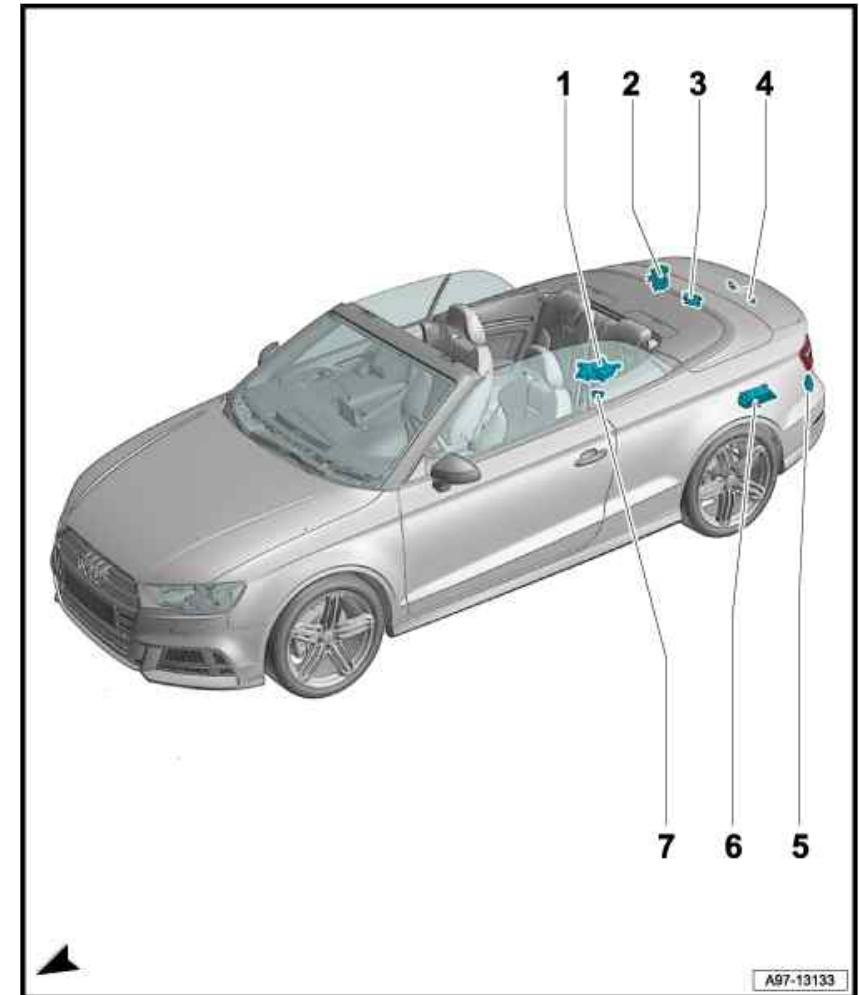
## 1.9 Overview of control units in rear part of vehicle (Cabriolet)



### Note

- ◆ *Overview of control units (3-door) ⇒ [page 22](#)*
- ◆ *Overview of control units (4-door) ⇒ [page 25](#)*
- ◆ *Overview of control units (5-door) ⇒ [page 28](#)*
- ◆ *Overview of additional control units and components (5-door, with hybrid drive) ⇒ [page 31](#)*

- 1 - All-wheel drive control unit -J492-
  - ❑ Fitting location and connectors: ⇒ [page 89](#)
- 2 - Aerial amplifier for mobile telephone -R86-
  - ❑ Fitting location and connectors: ⇒ [page 81](#)
- 3 - Lane change assist control unit -J769-
  - ❑ Location and connectors, up to April 2016: ⇒ [page 52](#)
  - ❑ Location and connectors, from May 2016: ⇒ [page 53](#)
- 4 - Reversing camera system control unit -J772-
  - ❑ Location and connectors, from May 2016: ⇒ [page 111](#)
- 5 - Lane change assist control unit 2 -J770-
  - ❑ Location and connectors, up to April 2016: ⇒ [page 50](#)
  - ❑ Location and connectors, from May 2016: ⇒ [page 51](#)
- 6 - Trailer detector control unit -J345-
  - ❑ Location and connectors, up to April 2014: ⇒ [page 82](#)
  - ❑ Location and connectors, from May 2014: ⇒ [page 83](#)
- 6 - Convertible roof actuation control unit -J256-
  - ❑ Fitting location and connectors: ⇒ [page 86](#)
- 6 - Reversing camera system control unit -J772-
  - ❑ Location and connectors, up to April 2016: ⇒ [page 87](#)
  - ❑ Location and connectors, from May 2016: ⇒ [item 4 \(page 34\)](#)
- 6 - Special vehicle control unit -J608-
  - ❑ Fitting location and connectors: ⇒ [page 80](#)
- 7 - Control unit for reducing agent heater -J891-
  - ❑ Fitting location and connectors, up to June 2018: ⇒ [page 115](#)



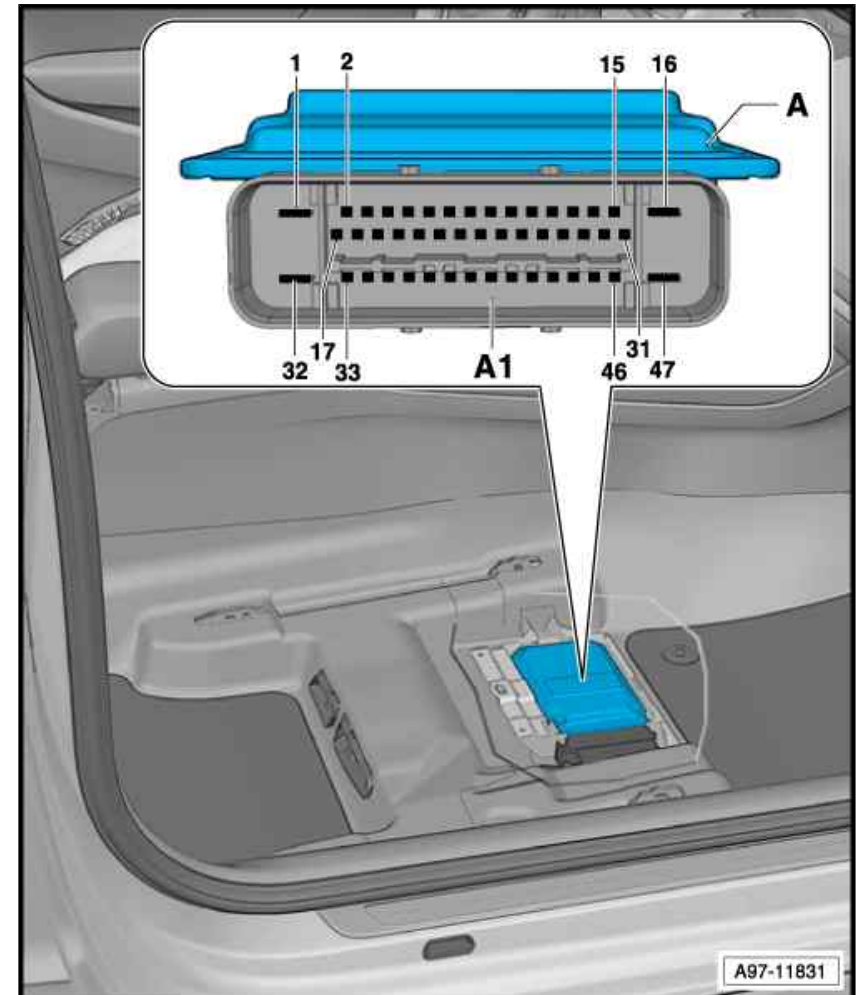
**1.10 Electronically controlled damping control unit -J250-**

Fitting location:

Under front passenger seat.

**A - Electronically controlled damping control unit -J250-**

**A1 - 47-pin connector -T47a- , black**



**1.11 Digital sound package control unit -J525-**

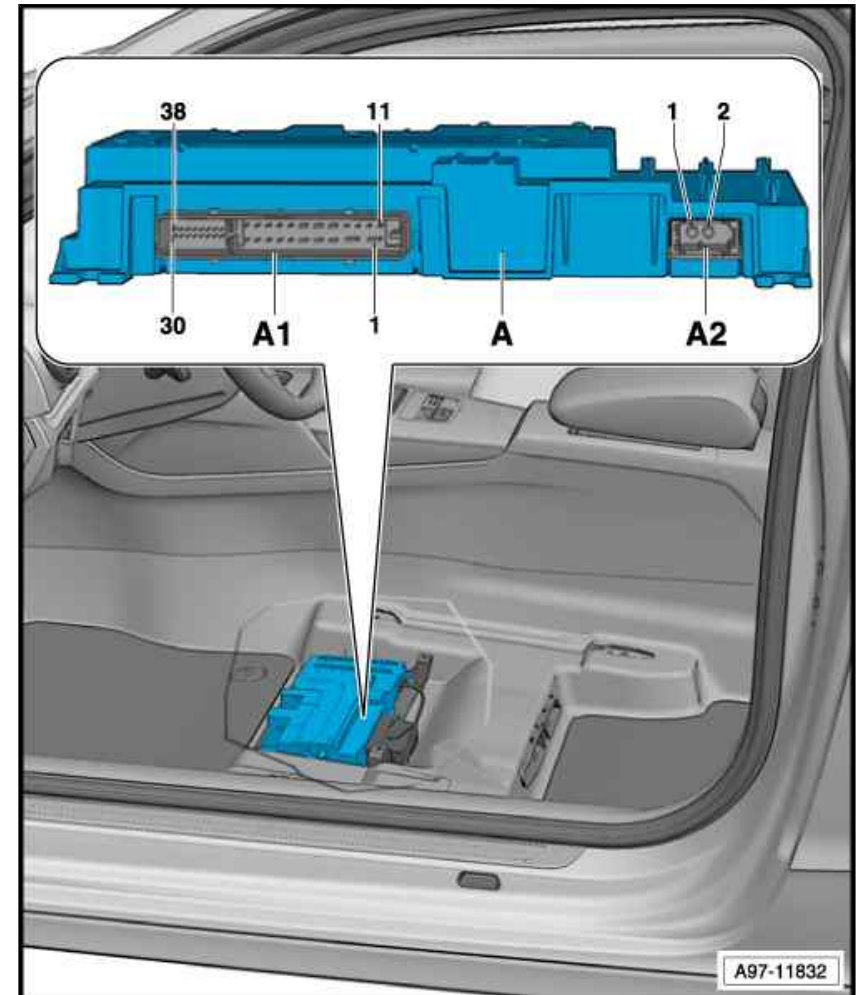
Fitting location:

Under driver seat.

A - Digital sound package control unit -J525-

A1 - 38-pin connector , black

A2 - 2-pin connector , black





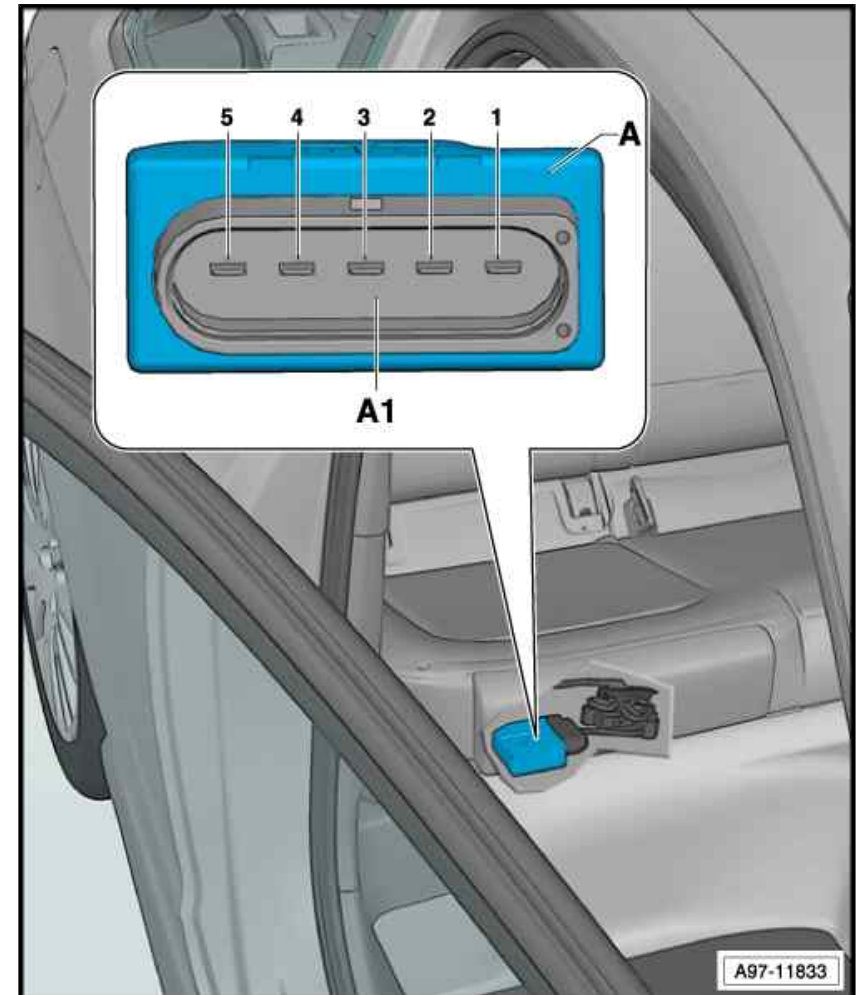
**1.13 Fuel pump control unit -J538- (petrol engine)**

Fitting location:

Under rear seat bench.

A - Fuel pump control unit -J538-

A1 - 5-pin connector -T5c- , black



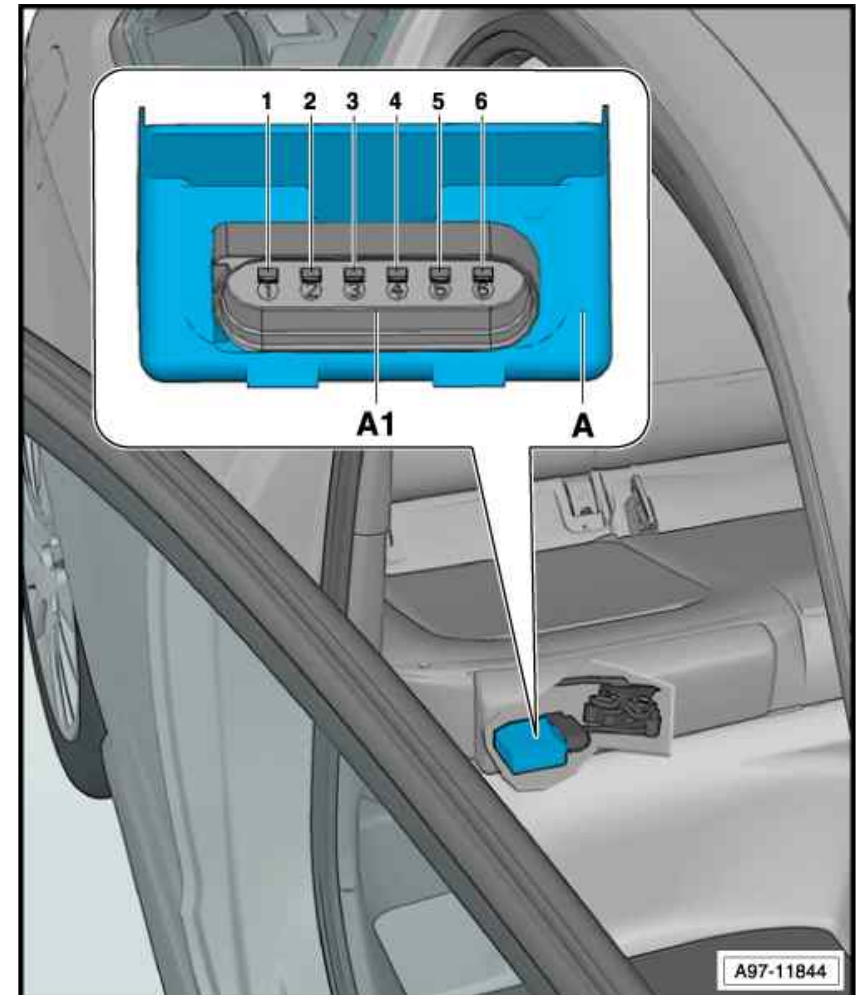
**1.14 Fuel pump control unit -J538- (diesel engine)**

Fitting location:

Under rear seat bench.

A - Fuel pump control unit -J538-

A1 - 6-pin connector -T6e- , black



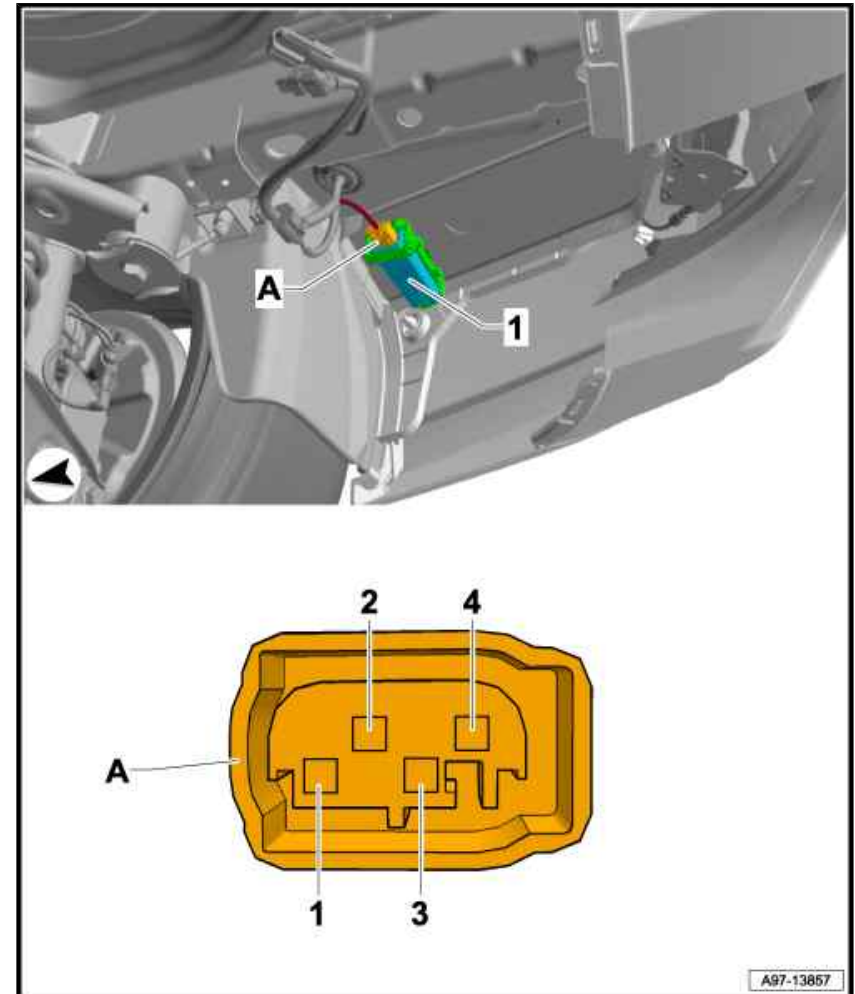
**1.15 Tyre Pressure Monitoring System control unit -J502- (4 and 5-door)**

Fitting location:

In rear bumper on right.

1 - Tyre Pressure Monitoring System control unit -J502-

A - 4-pin connector -T4fs- , grey



**1.16 Aerial amplifier for mobile telephone -R86- (3 and 5-door)**

Fitting location:

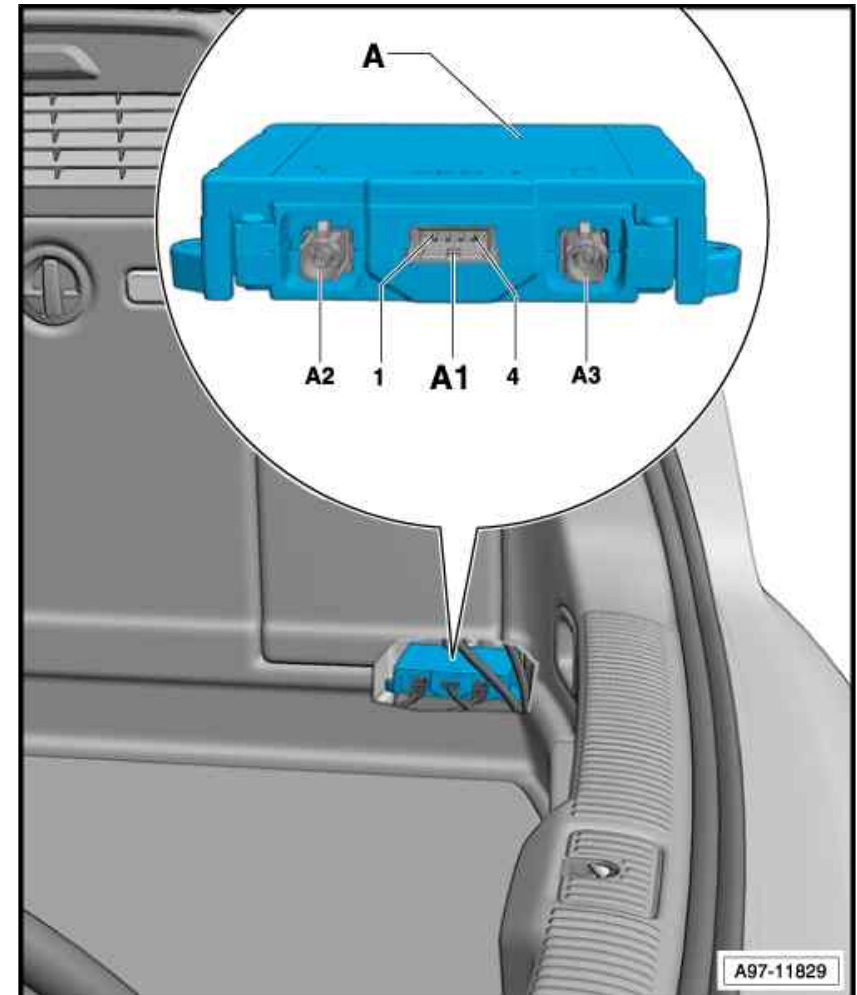
Behind right side trim in luggage compartment.

A - Aerial amplifier for mobile telephone -R86-

A1 - 4-pin connector -T4y- , black

A2 - 2-pin connector -T2am- , violet

A3 - 2-pin connector -T2al- , black



**1.17 Remote control receiver for auxiliary heater -R64- (3 and 5-door)**

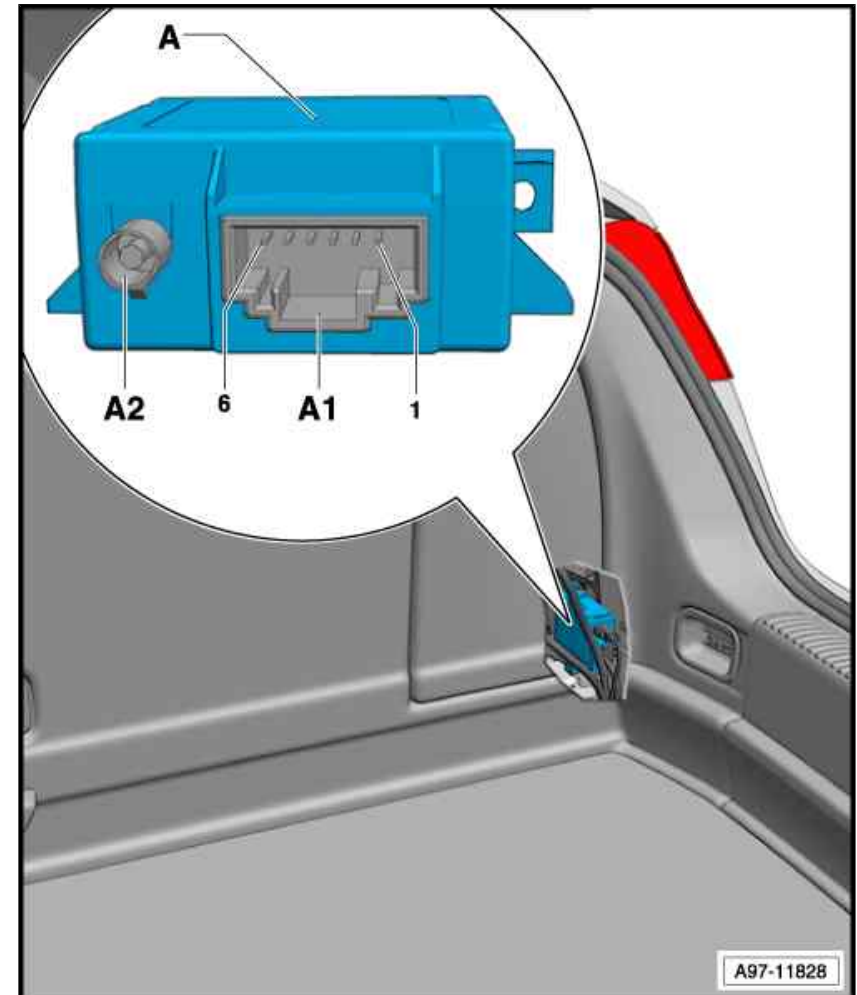
Fitting location:

Behind right side trim in luggage compartment.

A - Remote control receiver for auxiliary heater -R64-

A1 - 6-pin connector -T6s- , blue

A2 - 2-pin connector



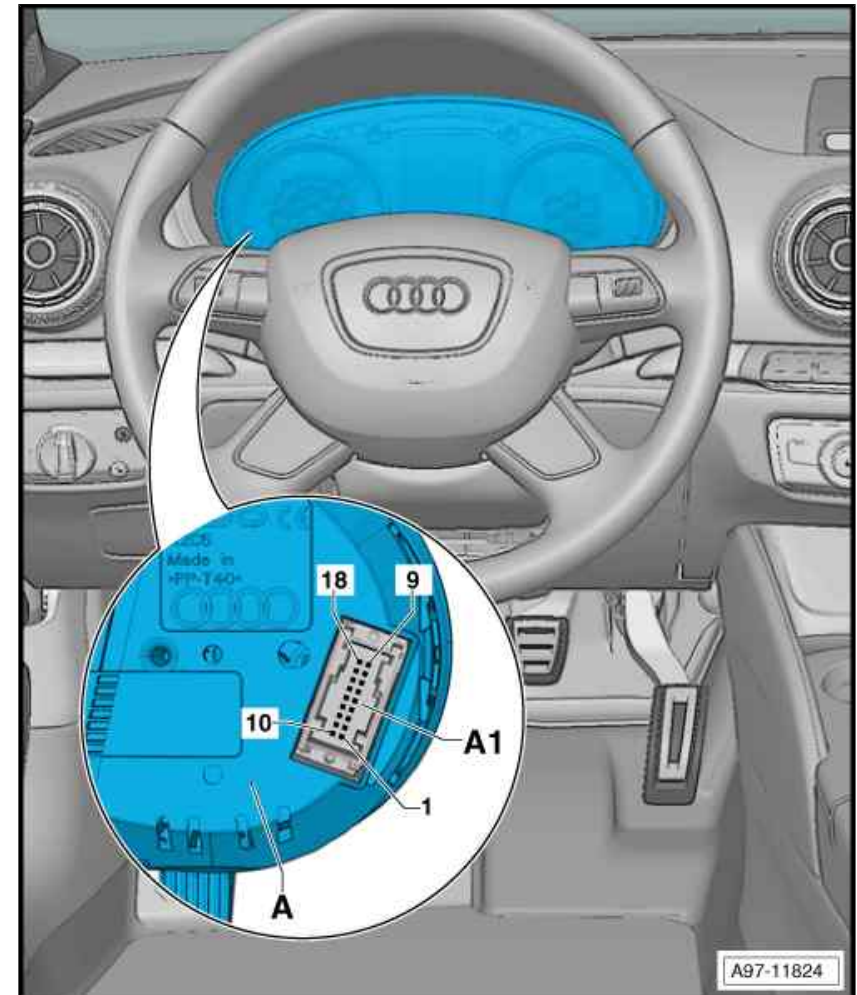
**1.18 Control unit in dash panel insert -J285- , 18-pin**

Fitting location:

In the dash panel.

A - Control unit in dash panel insert -J285-

A1 - 18-pin connector -T18- , black



**1.19 Control unit in dash panel insert -J285- , 32-pin**

Fitting location:

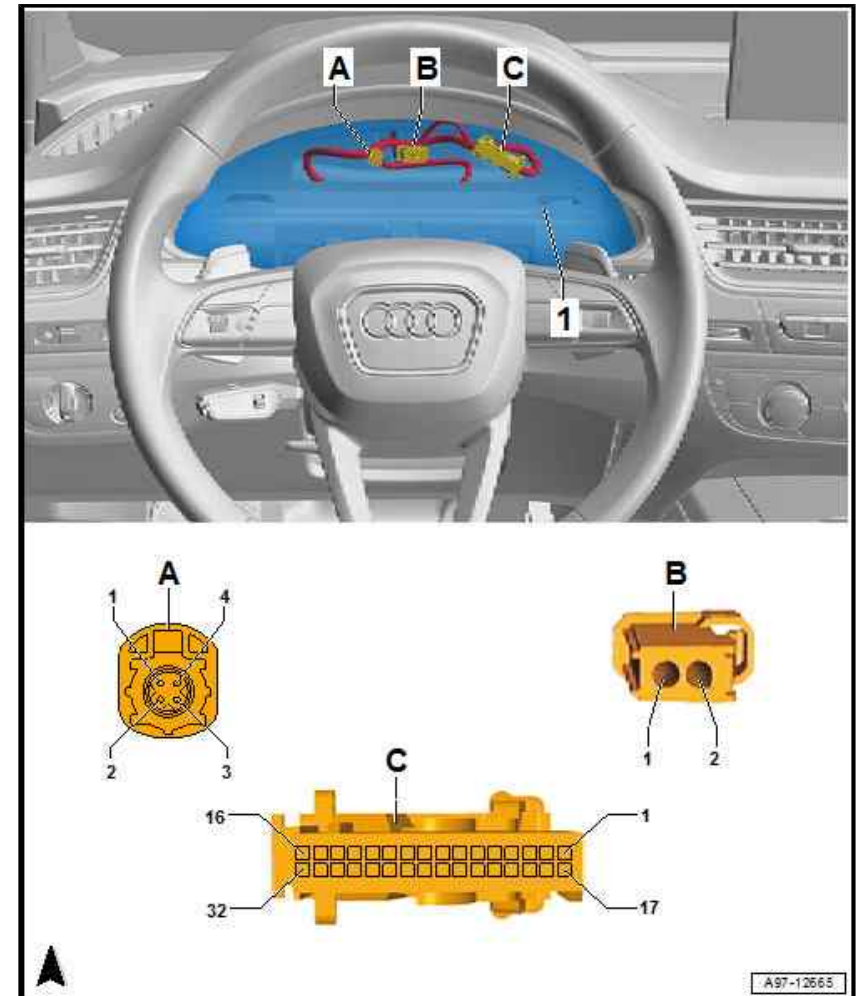
In the dash panel.

1 - Control unit in dash panel insert -J285-

A - 4-pin connector -T4dy- , black

B - 2-pin connector -T2pn- , black

C - 32-pin connector -T32d- , grey



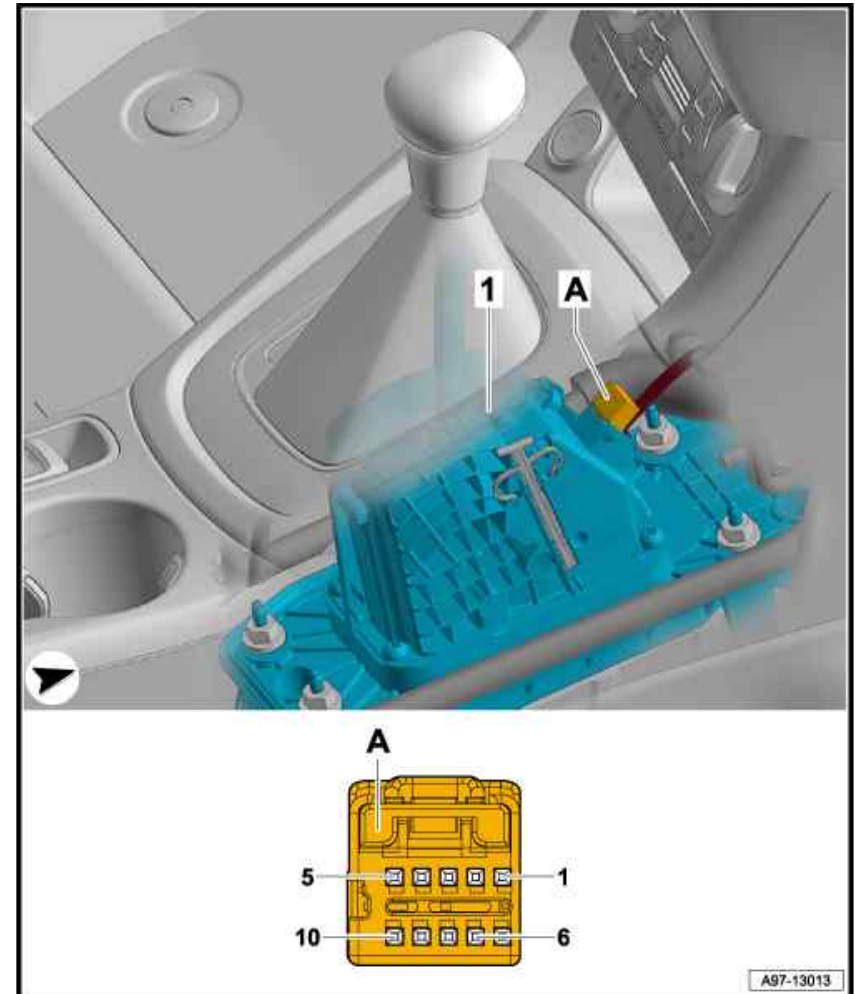
**1.20 Selector lever sensors control unit -J587-**

Fitting location:

On selector lever bracket

1 - Selector lever sensors control unit -J587-

A - 10-pin connector -T10k-



**1.21 Trailer detector control unit -J345- , up to April 2014 (3 and 5-door)**

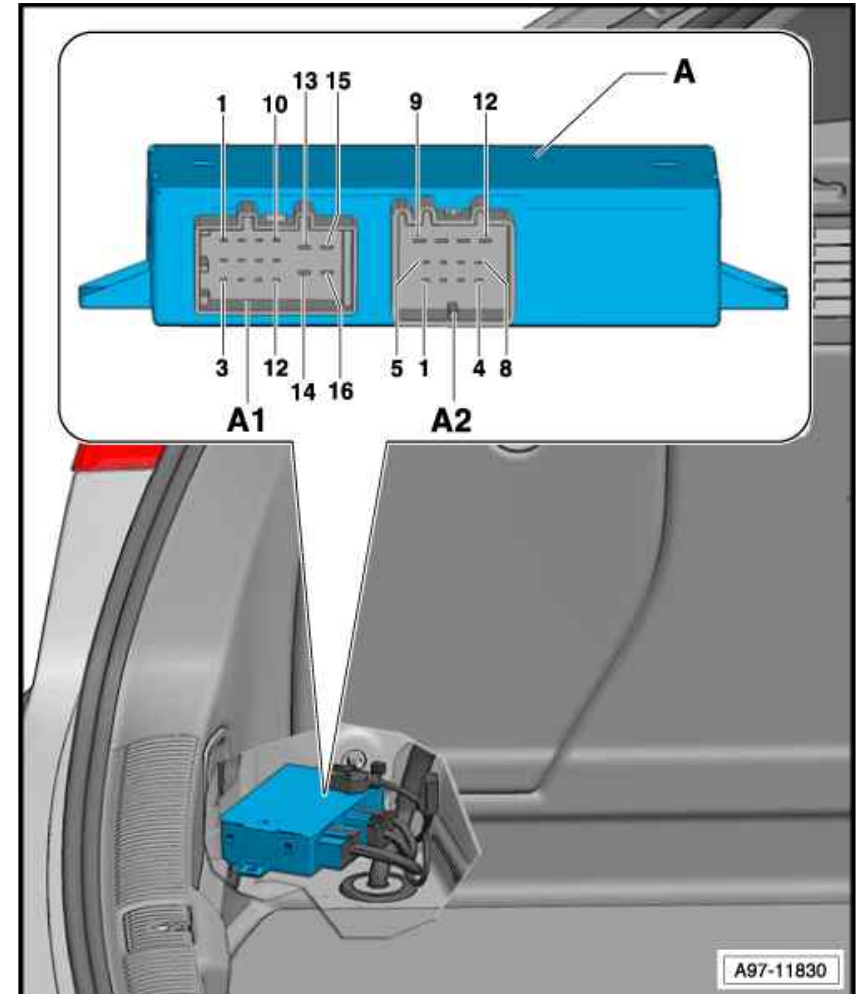
Fitting location:

Behind left side trim in luggage compartment.

A - Trailer detector control unit -J345-

A1 - 16-pin connector -T16l- , black

A2 - 12-pin connector -T12b- , red



**1.22 Trailer detector control unit -J345- , up from May 2014 (3 and 5-door)**

Fitting location:

Behind left side trim in luggage compartment.

1 - Trailer detector control unit -J345-

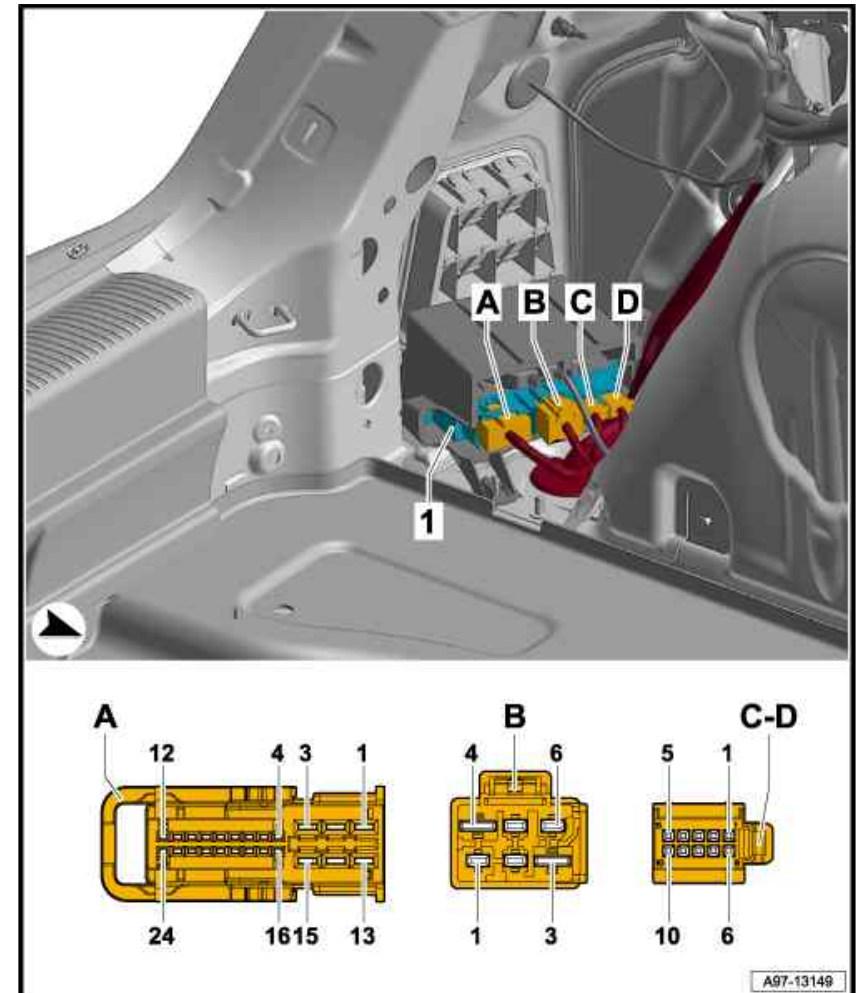
A - 24-pin connector -T24a- , black

B - 6-pin connector -T6aw- , black

C - 10-pin connector -T10ad- , black

D - 10-pin connector -T10aq- , red

□ From May 2016



**1.23 Control unit for electronic steering column lock -J764- , up to June 2018**

Fitting location:

On steering column.

A - Control unit for electronic steering column lock -J764-

A1 - 16-pin connector -T16g- , black



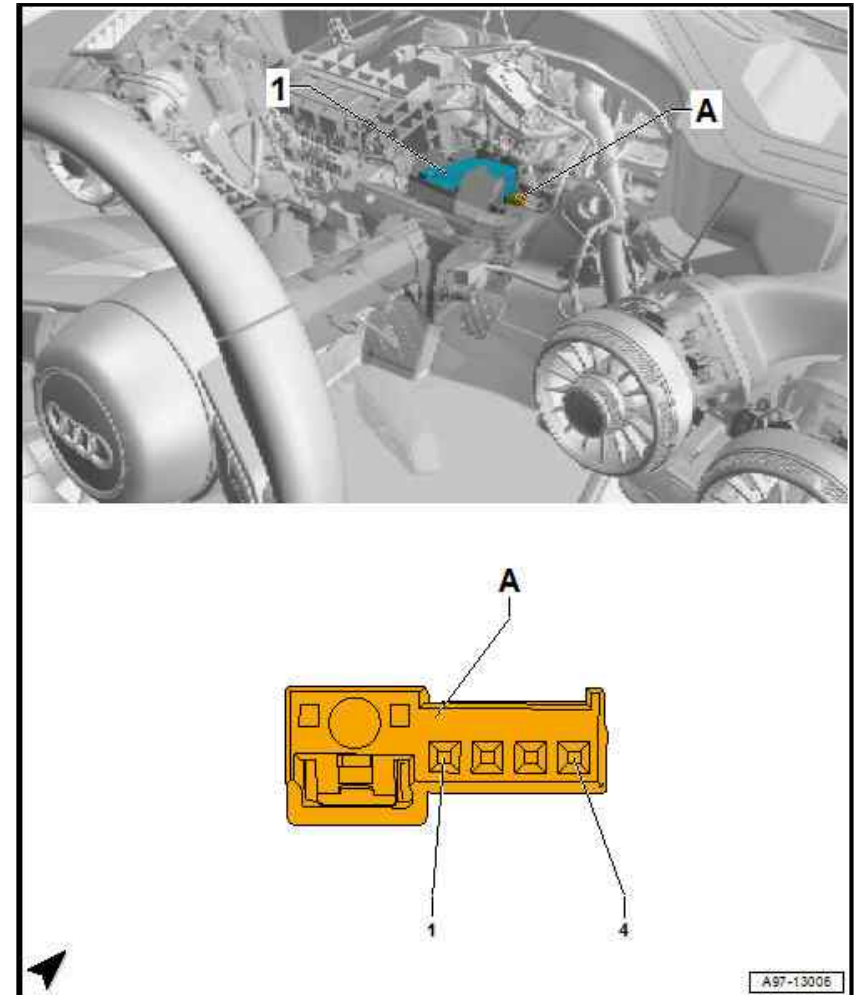
**1.24 Control unit for electronic steering column lock -J764- , from July 2018**

Fitting location:

On steering column.

1 - Control unit for electronic steering column lock -J764-

A - 4-pin connector -T4fx- , black



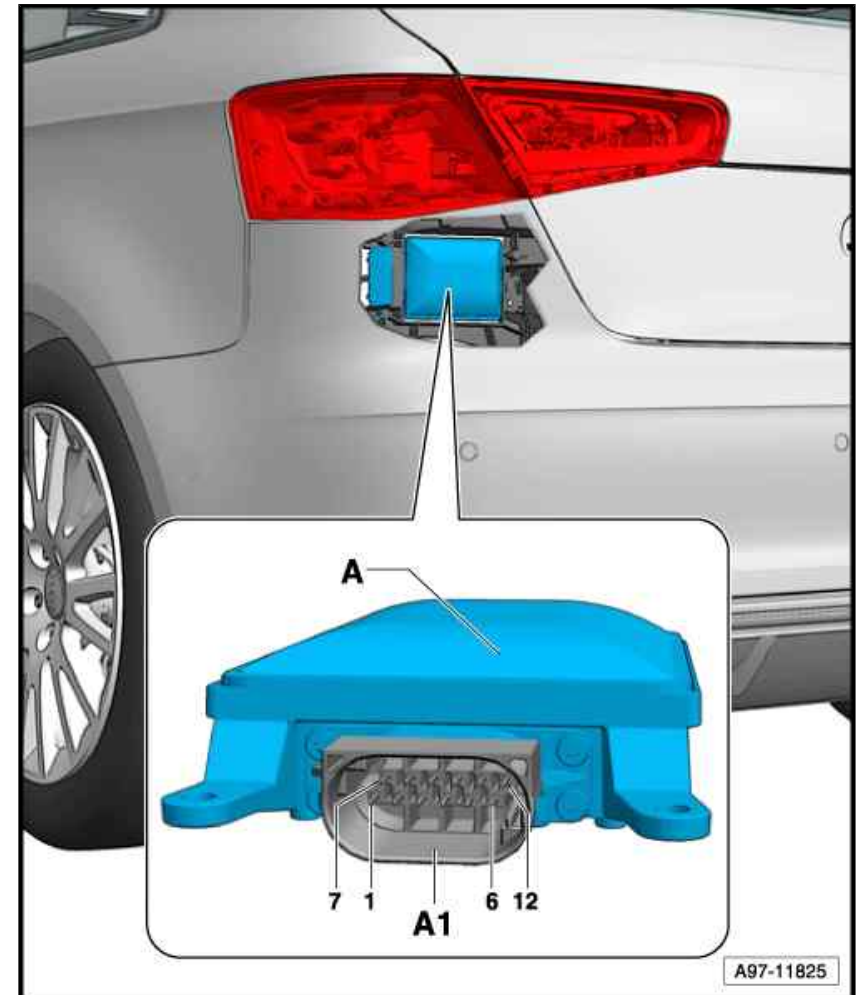
**1.25 Lane change assist control unit 2 -J770- , up to April 2016**

Fitting location:

in rear bumper on left.

A - Lane change assist control unit 2 -J770-

A1 - 12-pin connector -T12h- , black



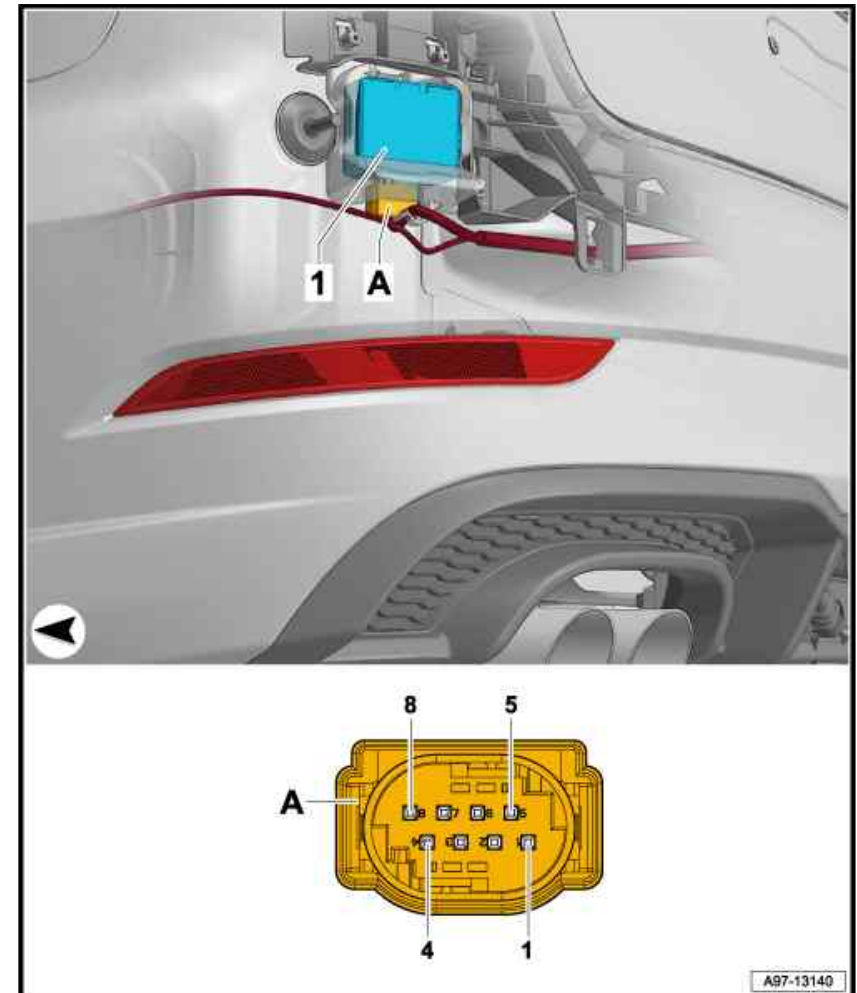
**1.26 Lane change assist control unit 2 -J770- , from May 2016**

Fitting location:

in rear bumper on left.

1 - Lane change assist control unit 2 -J770-

A - 8-pin connector -T8ar- , black



A97-13140

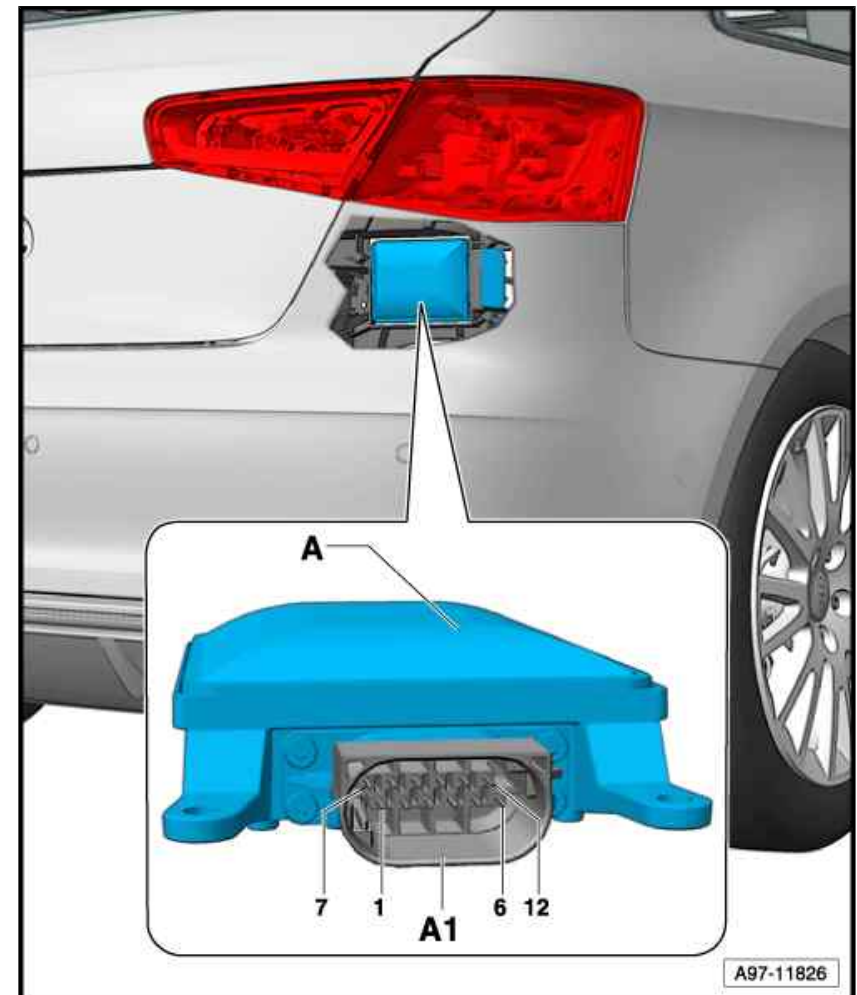
**1.27 Lane change assist control unit -J769- , up to April 2016**

Fitting location:

In rear bumper on right.

A - Lane change assist control unit -J769-

A1 - 12-pin connector -T12g- , black



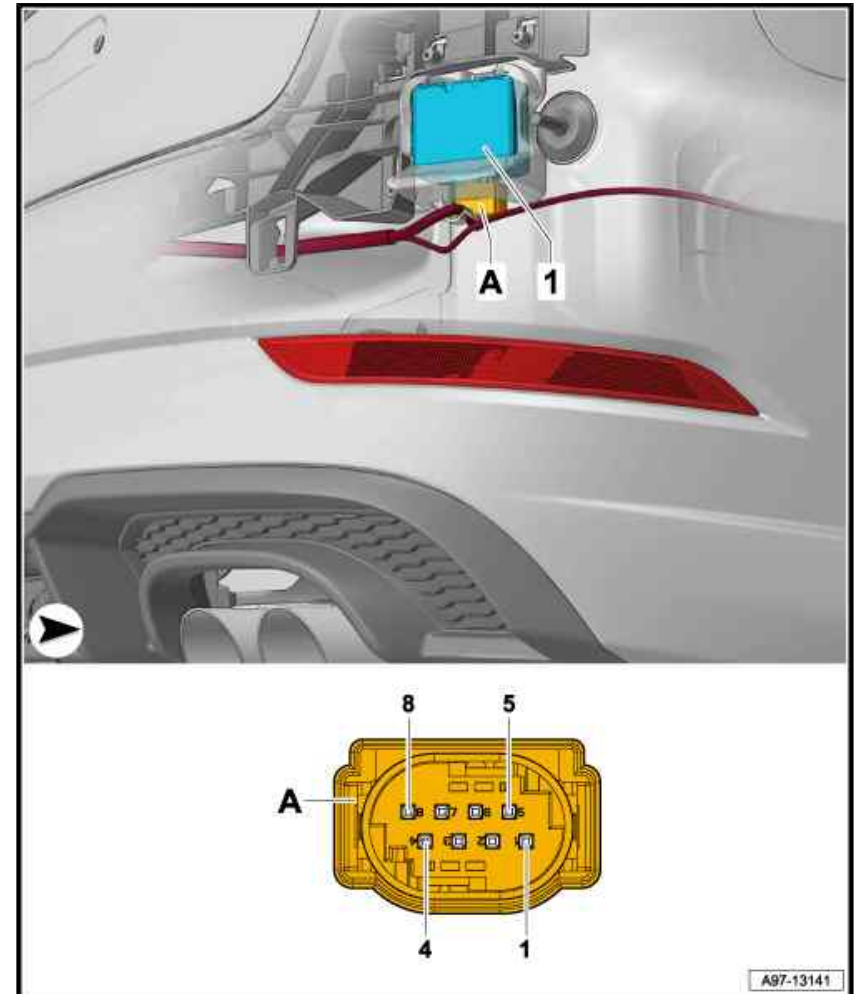
**1.28 Lane change assist control unit -J769- , from May 2016**

Fitting location:

In rear bumper on right.

1 - Lane change assist control unit -J769-

A - 8-pin connector -T8aq- , black



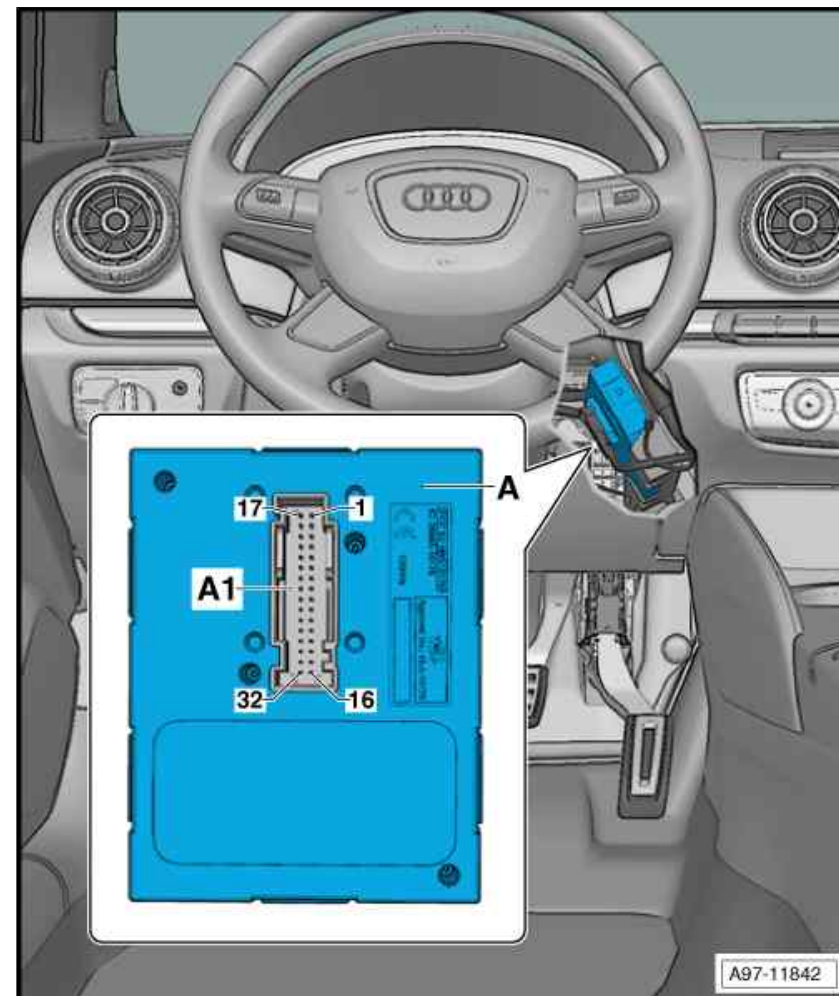
**1.29 Entry and start authorisation control unit -J518- , up to June 2018**

Fitting location:

Under the dash panel.

A - Entry and start authorisation control unit -J518-

A1 - 32-pin connector -T32a- , blue



**1.30 Entry and start authorisation control unit -J518- , from July 2018**

Fitting location:

Under the dash panel.

1 - Entry and start authorisation control unit -J518-

A - 40-pin connector -T40a- , black



**1.31 Air conditioning system control unit -J301-**

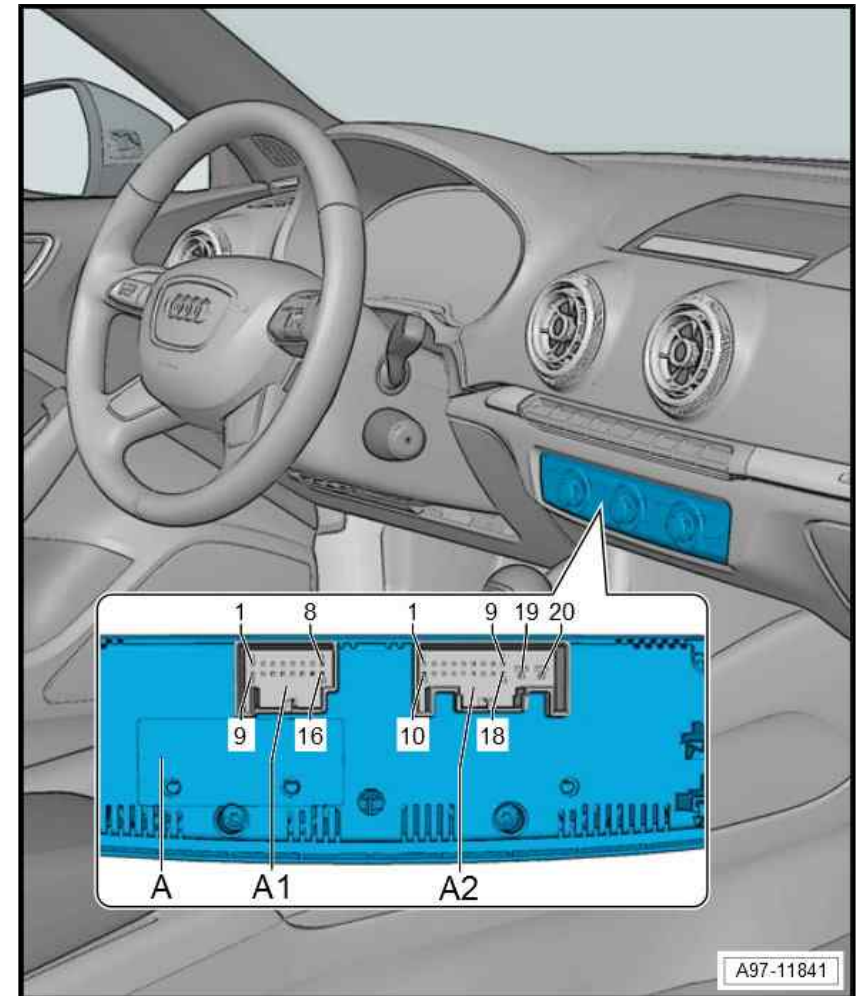
Fitting location:

In centre of dash panel

A - Air conditioning system control unit -J301-

A1 - 16-pin connector -T16o-

A2 - 20-pin connector -T20f- , black



**1.32 Climatronic control unit -J255-**

Fitting location:

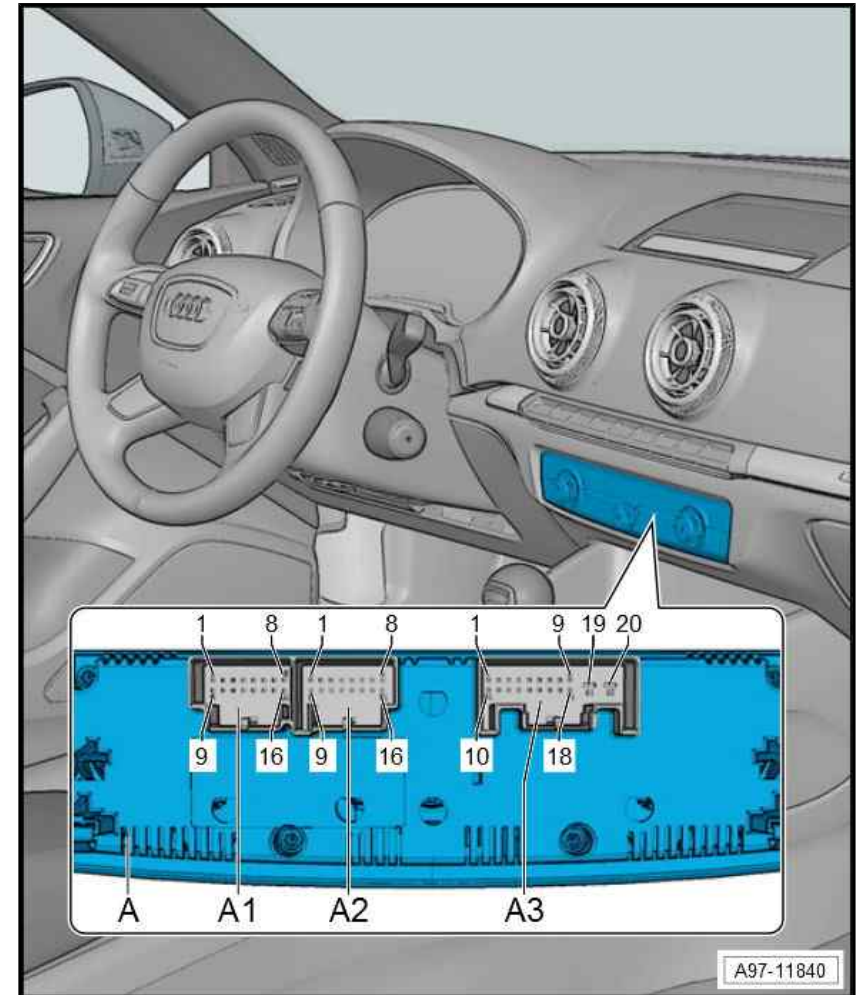
In centre of dash panel

A - Climatronic control unit -J255-

A1 - 16-pin connector -T16d-

A2 - 16-pin connector -T16c-

A3 - 20-pin connector -T20b- , black



**1.33 Onboard supply control unit -J519-**

Fitting location:

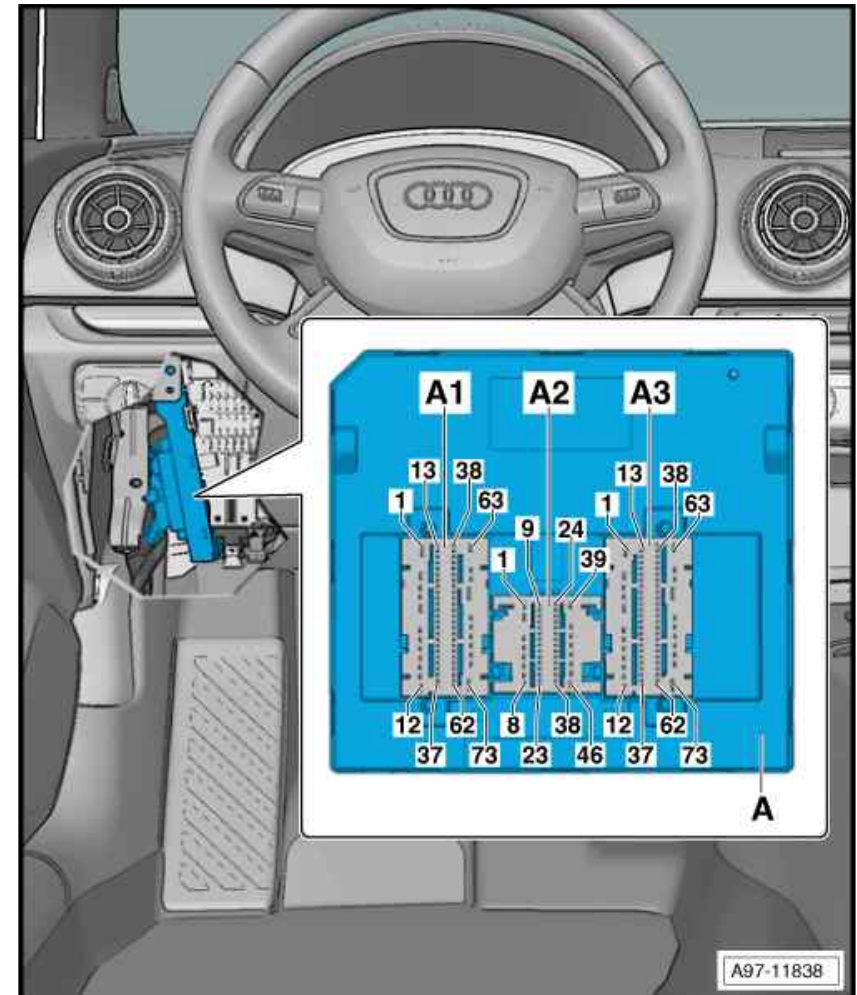
Behind dash panel on left.

A - Onboard supply control unit -J519-

A1 - 73-pin connector -T73a- , black

A2 - 46-pin connector -T46b- , black

A3 - 73-pin connector -T73c- , black



A97-11838

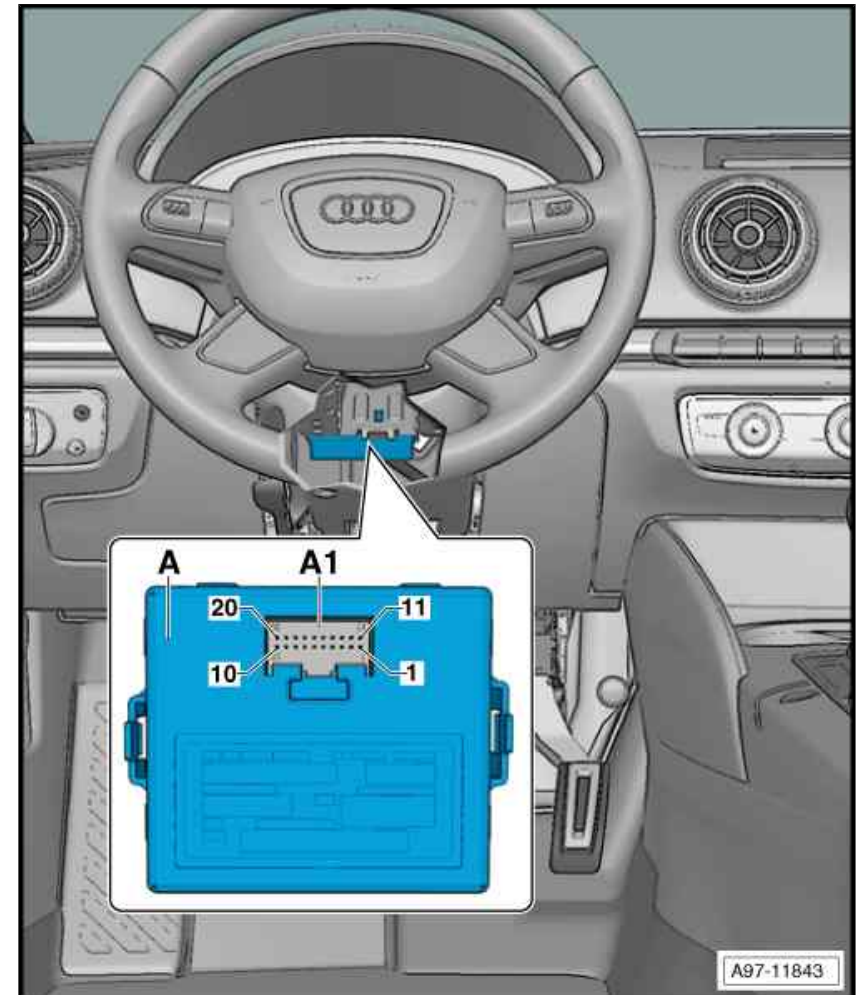
**1.34 Data bus diagnostic interface -J533-**

Fitting location:

Under the dash panel.

A - Data bus diagnostic interface -J533-

A1 - 20-pin connector -T20a- , red



A97-11843

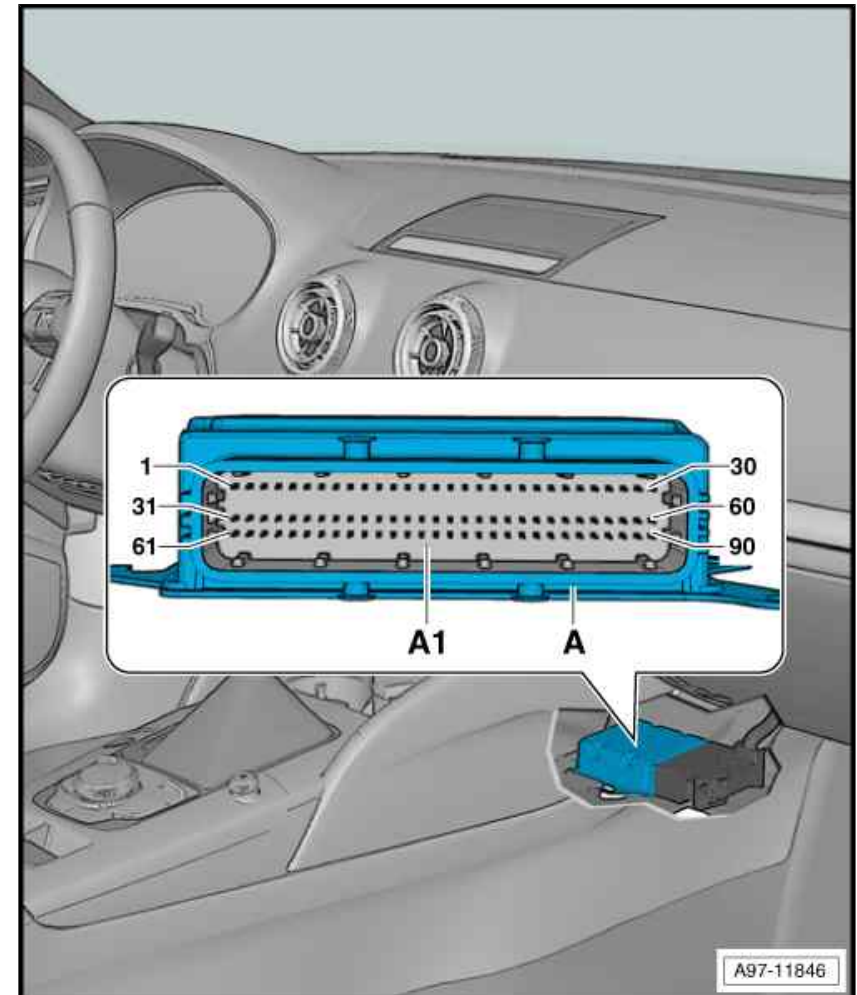
**1.35 Airbag control unit -J234-**

Fitting location:

Behind centre console.

A - Airbag control unit -J234-

A1 - 90-pin connector -T90- , yellow



**1.36 Parking aid control unit -J446- / park assist steering control unit -J791-**

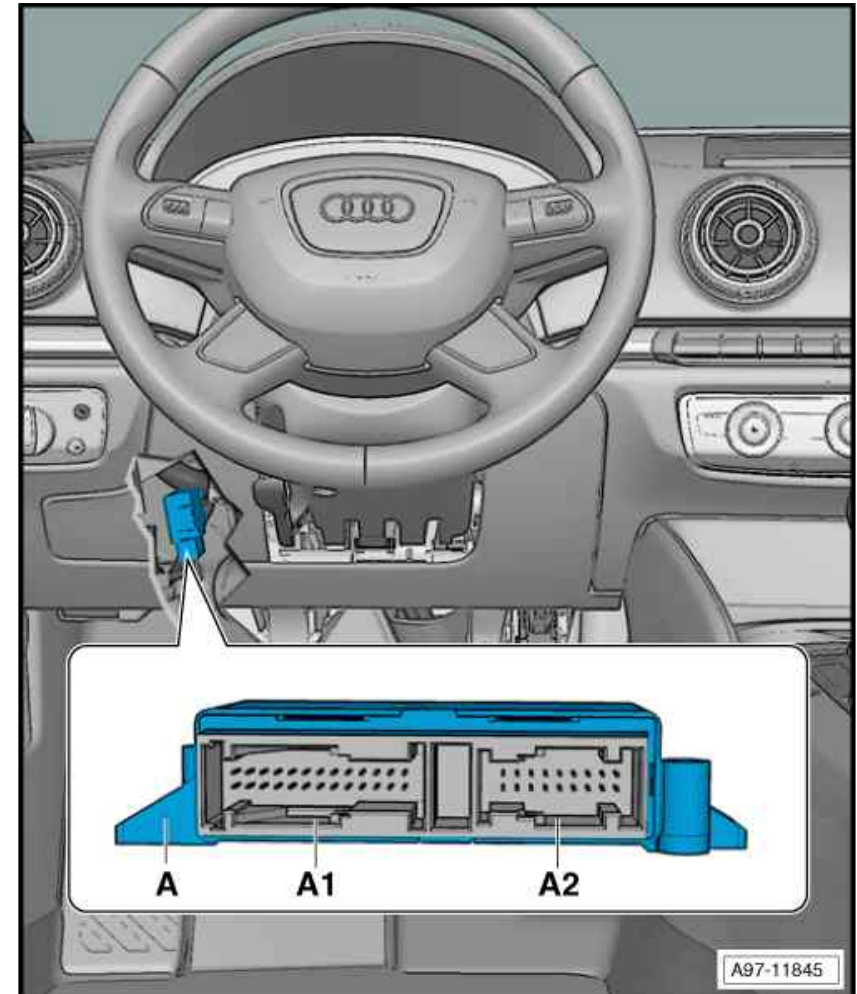
Fitting location:

Behind dash panel on left.

A - Parking aid control unit -J446- / park assist steering control unit -J791-

A1 - 26-pin connector -T26c- , black

A2 - 18-pin connector -T18a- , black



**1.37 Driver door control unit -J386-**

Fitting location:

In driver door.

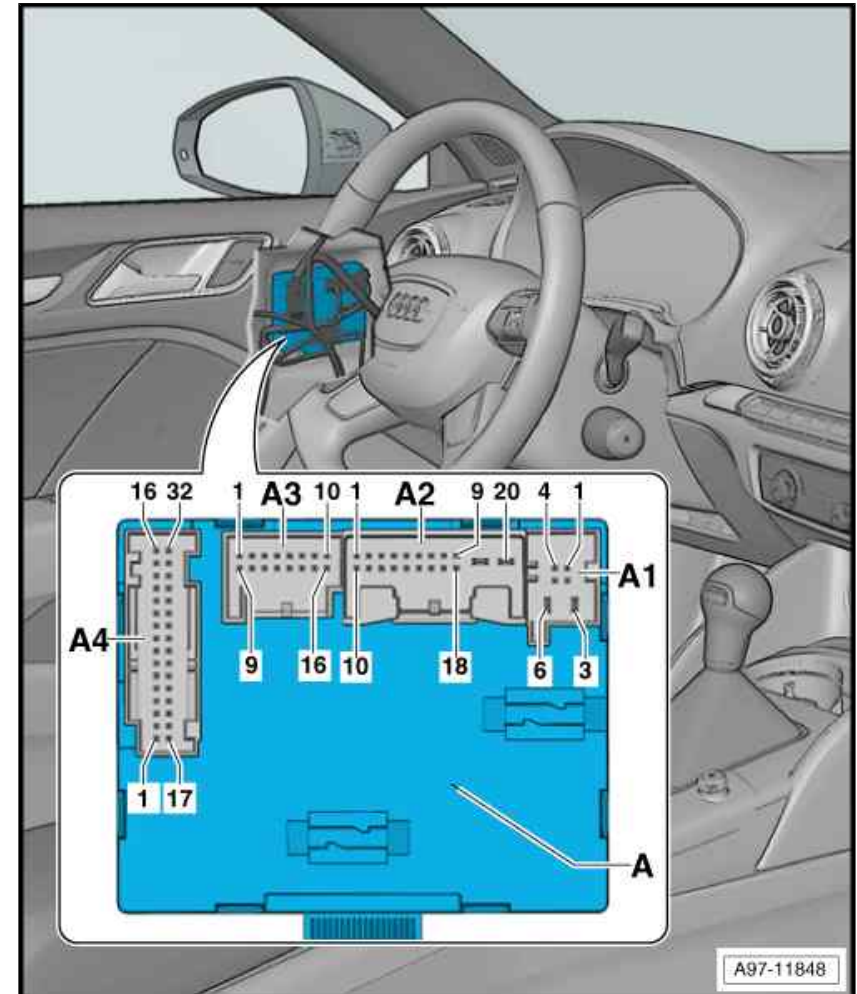
A - Driver door control unit -J386-

A1 - 6-pin connector -T6f-

A2 - 20-pin connector -T20c-

A3 - 16-pin connector -T16e-

A4 - 32-pin connector -T32b- , blue



**1.38 Front passenger door control unit -J387-**

Fitting location:

In front passenger door.

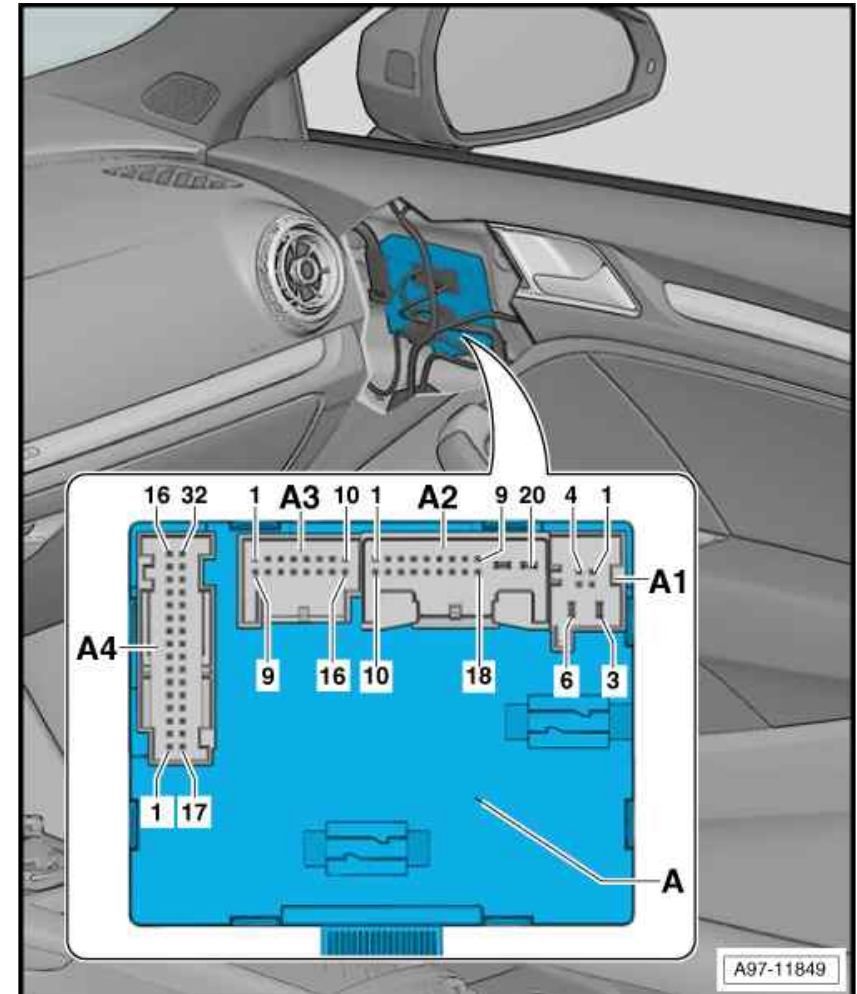
A - Front passenger door control unit -J387-

A1 - 6-pin connector -T6g-

A2 - 20-pin connector -T20d-

A3 - 16-pin connector -T16f-

A4 - 32-pin connector -T32c- , blue



**1.39 Steering column electronics control unit -J527- , without heated steering wheel, up to June 2018**

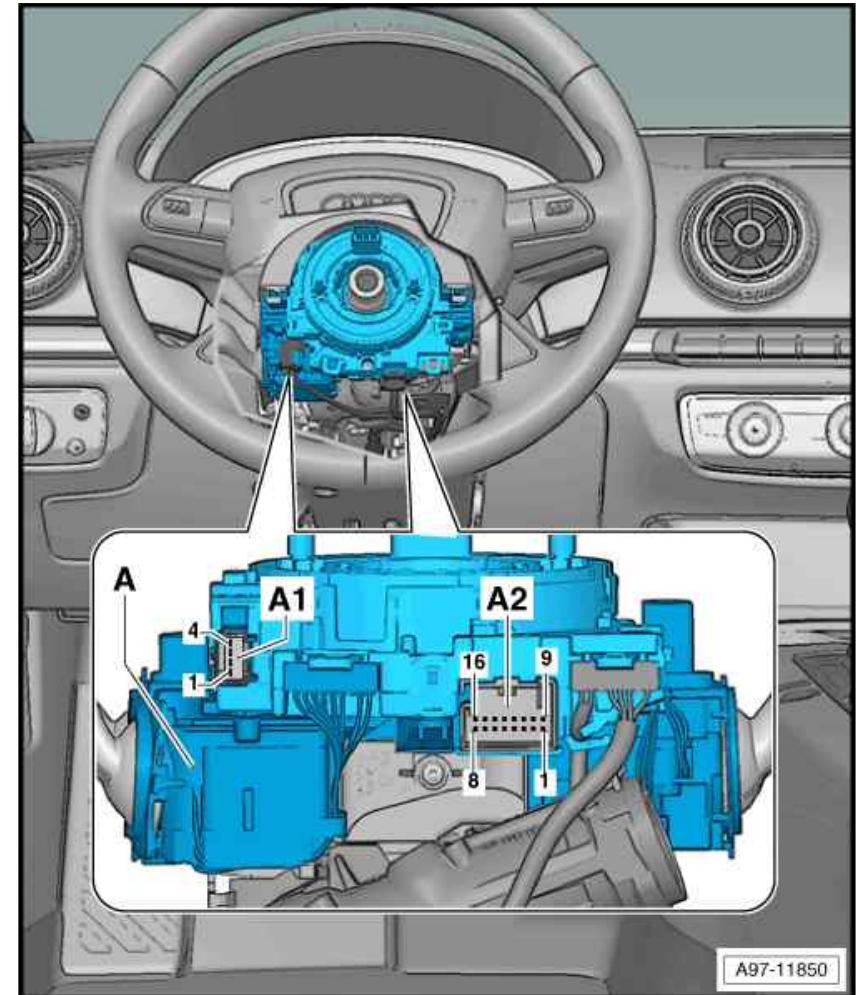
Fitting location:

On steering column.

A - Steering column electronics control unit -J527-

A1 - 4-pin connector -T4- , yellow

A2 - 16-pin connector -T16a- , black



**1.40 Steering column electronics control unit -J527- , with heated steering wheel, up to June 2018**

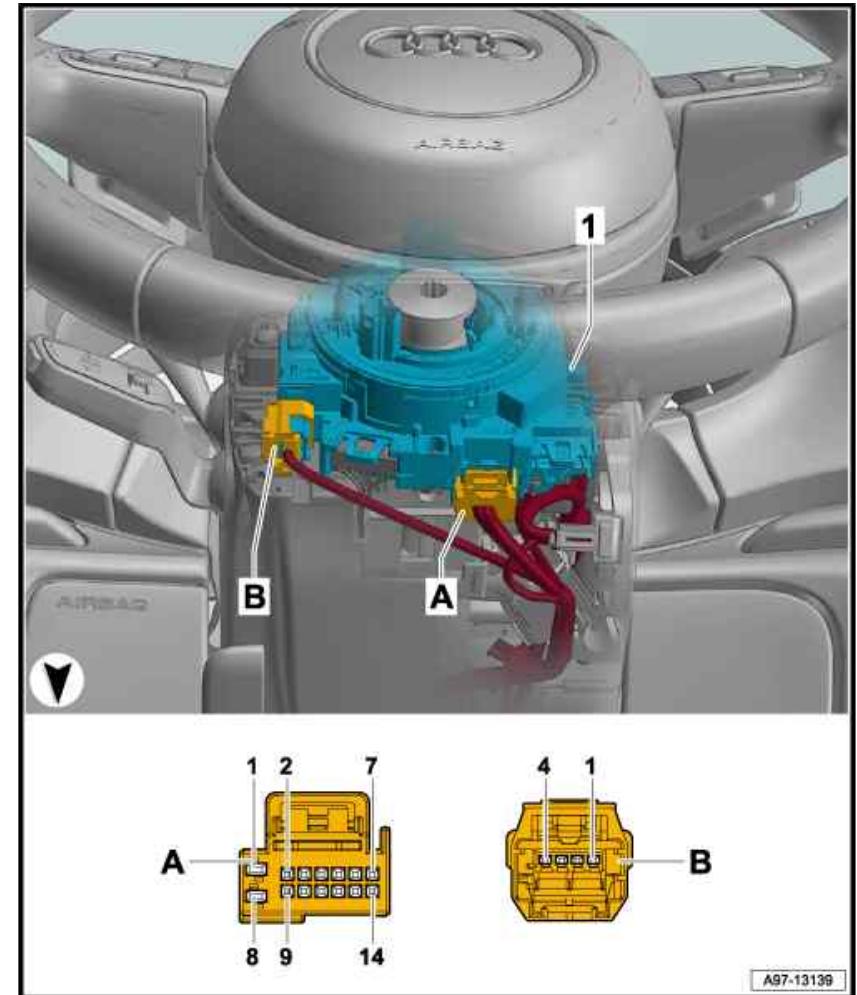
Fitting location:

On steering column.

1 - Steering column electronics control unit -J527-

A - 4-pin connector -T4- , yellow

B - 14-pin connector -T14w- , black



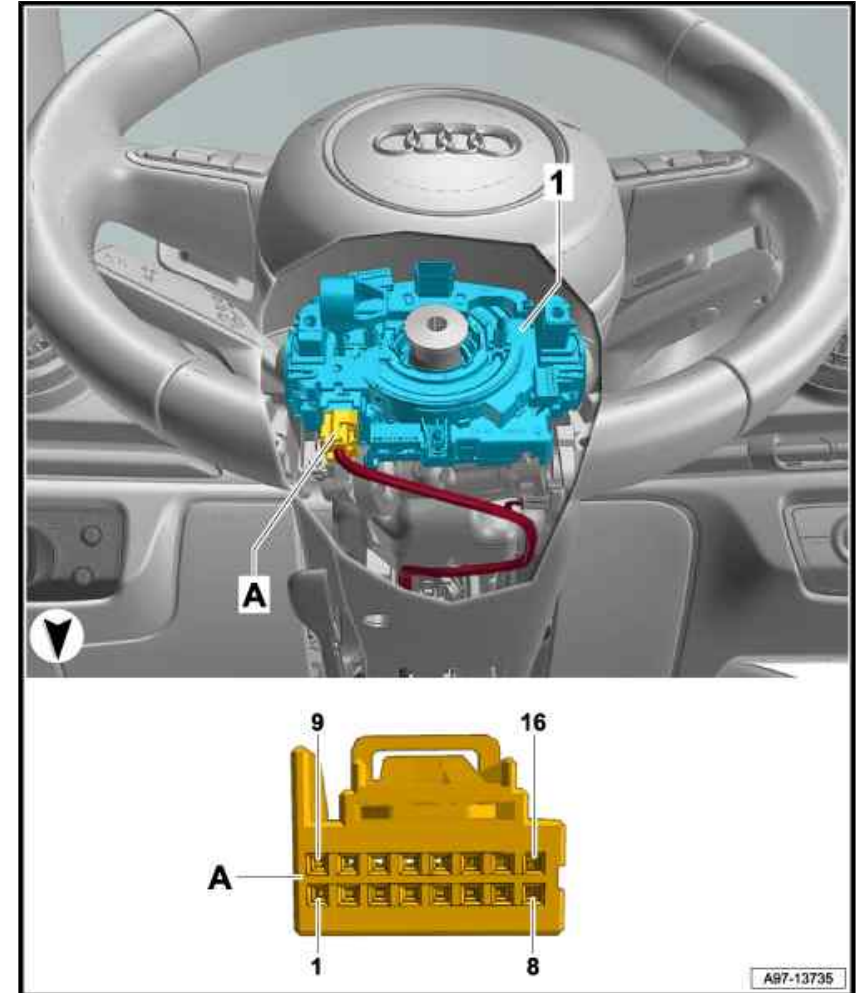
**1.41 Steering column electronics control unit -J527- , without heated steering wheel, from July 2018**

Fitting location:

On steering column.

1 - Steering column electronics control unit -J527-

A - 16-pin connector -T16v- , black



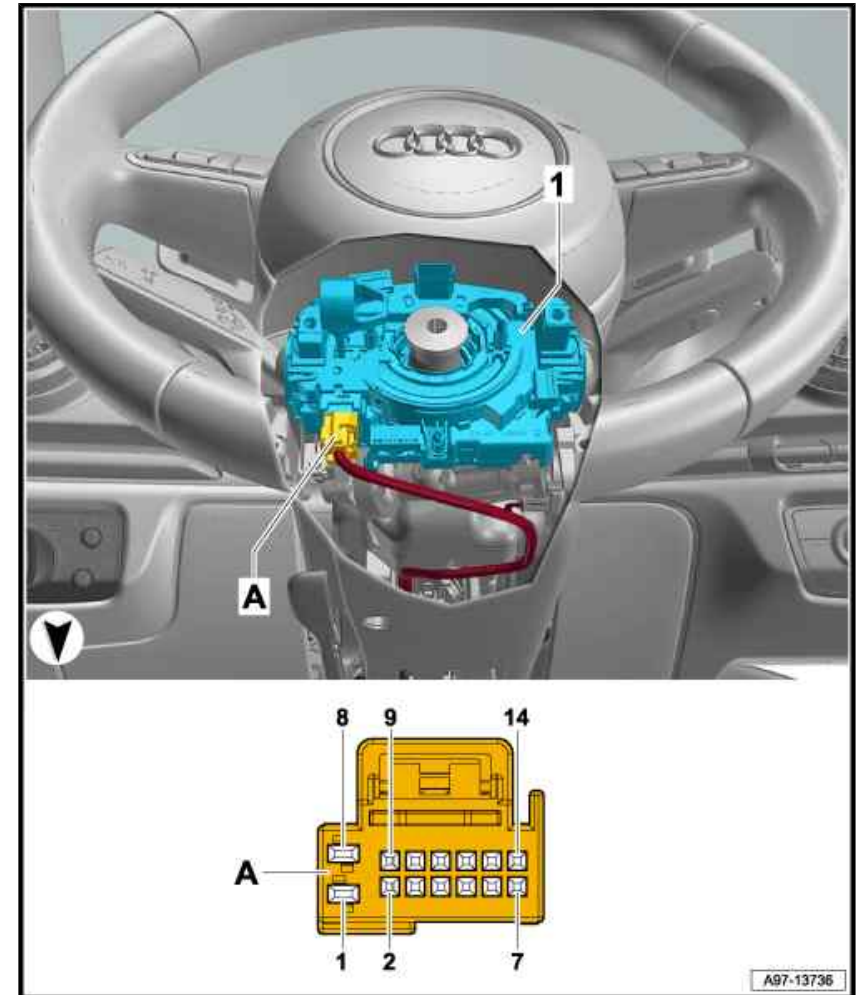
**1.42 Steering column electronics control unit -J527- , with heated steering wheel, from July 2018**

Fitting location:

On steering column.

1 - Steering column electronics control unit -J527-

A - 14-pin connector -T14ac- , black



**1.43 Headlight range control unit -J431- / control unit for cornering light and headlight range -J745- , up to April 2017**

Fitting location:

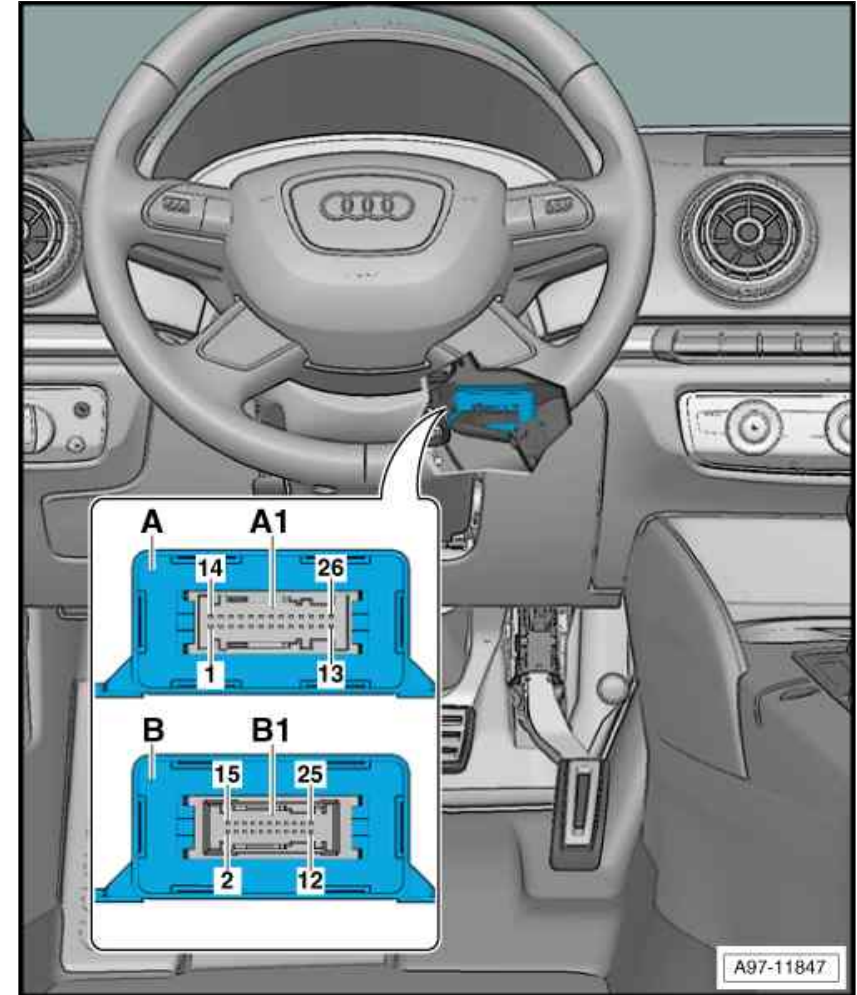
Behind dash panel on left.

A - Headlight range control unit -J431-

A1 - 26-pin connector -T26a- , red

B - Control unit for cornering light and headlight range control -J745-

B1 - 26-pin connector -T26b- , black



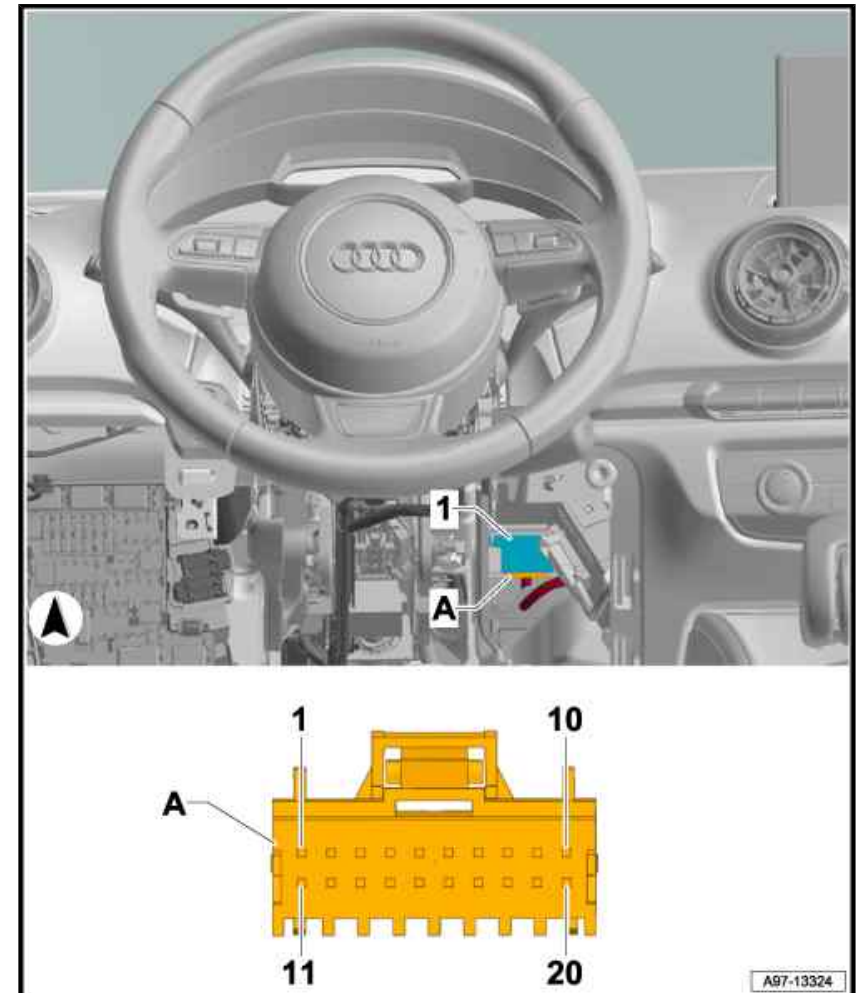
**1.44 Control unit for cornering light and headlight range control -J745- , from May 2017**

Fitting location:

Behind dash panel on left.

1 - Control unit for cornering light and headlight range control -J745-

A - 20-pin connector -T20q- , brown



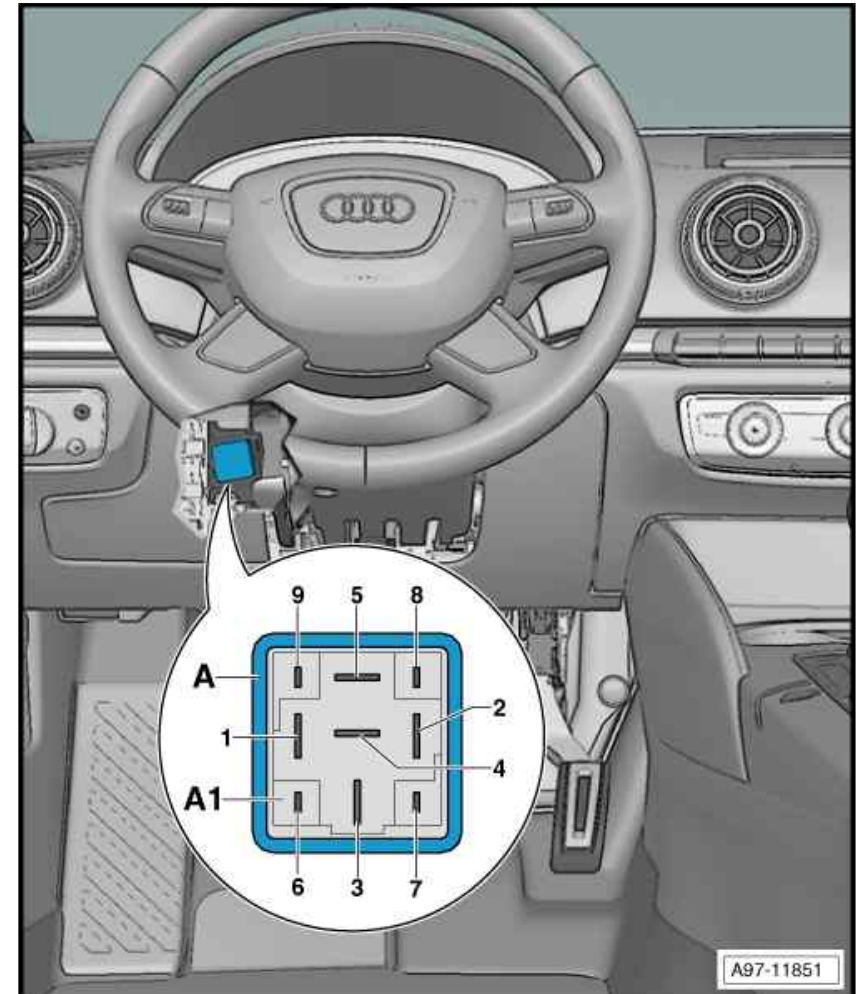
**1.45 CAN bus control unit -J916-**

Fitting location:

Behind dash panel on left.

A - CAN bus control unit -J916-

A1 - 9-pin connector -T9-



**1.46 Special vehicle control unit -J608- (3 and 5-door)**

Fitting location:

Behind right side trim in luggage compartment.

A - Special vehicle control unit -J608-

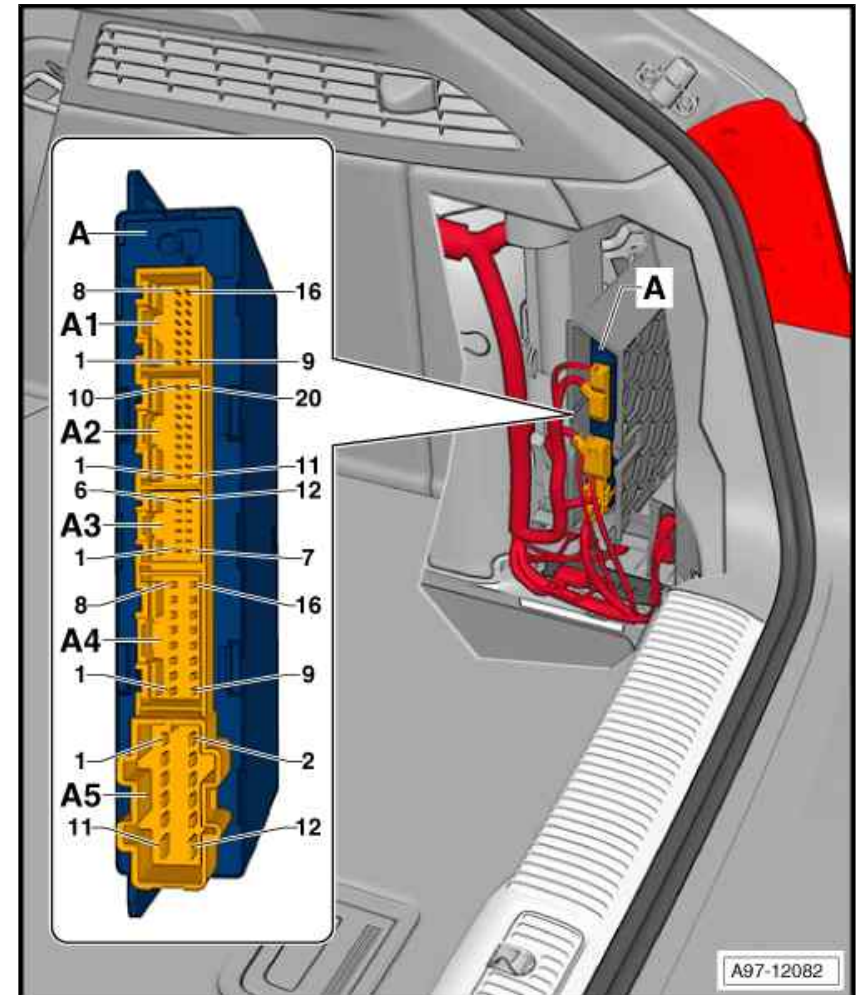
A1 - 16-pin connector -T16h- , brown

A2 - 20-pin connector -T20l- , red

A3 - not assigned

A4 - 16-pin connector -T16b- , black

A5 - 12-pin connector -T12d- , black



**1.47 Rear driver side door control unit -J926-**

Fitting location:

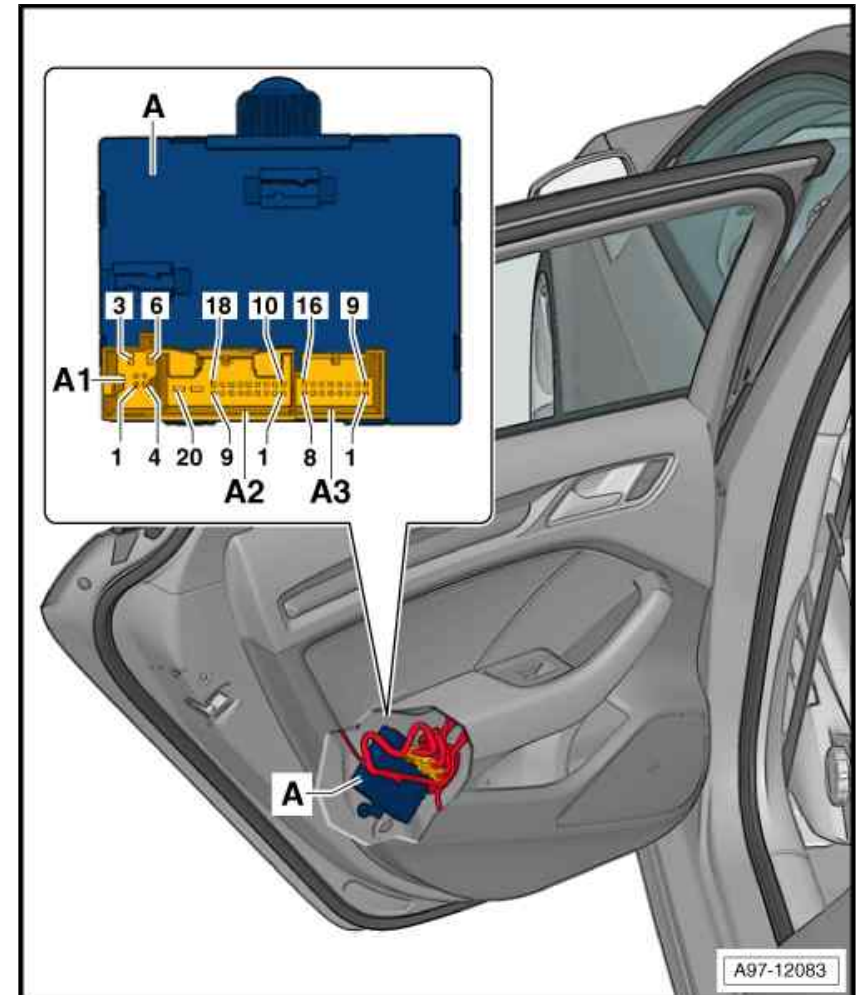
In rear left door.

A - Rear driver side door control unit -J926-

A1 - 6-pin connector -T6al-

A2 - 20-pin connector -T20j-

A3 - 16-pin connector -T16i-



**1.48 Rear passenger side door control unit -J927-**

Fitting location:

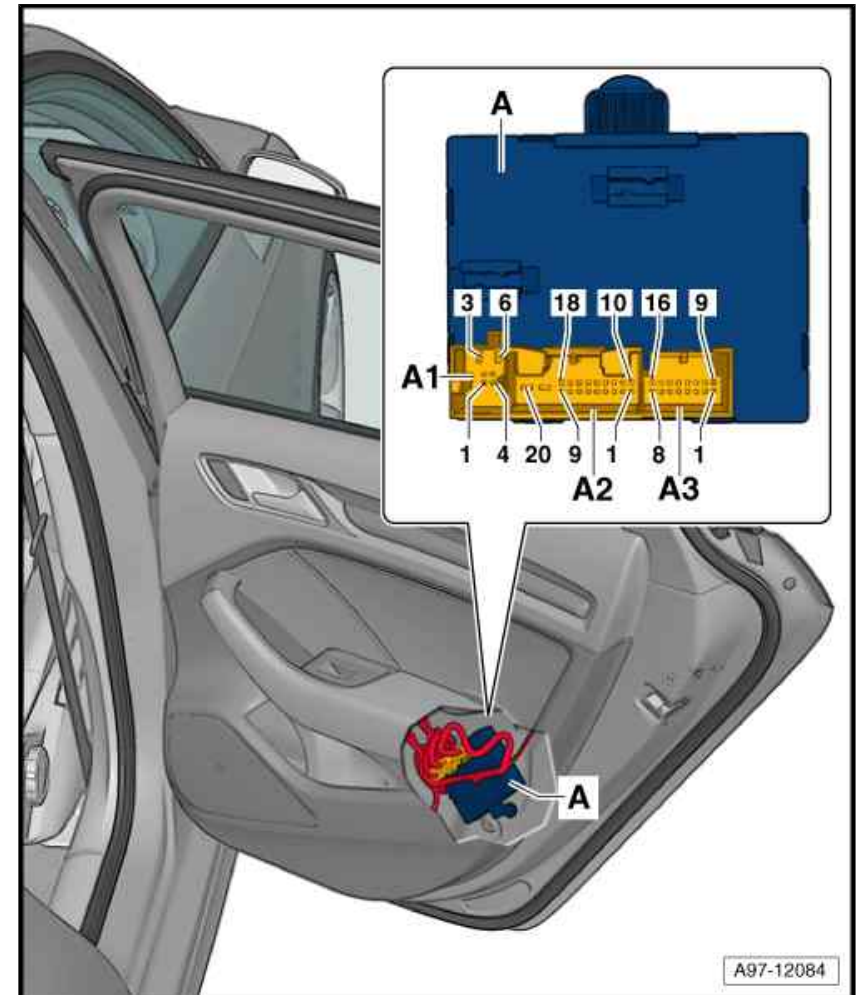
In rear right door.

A - Rear passenger side door control unit -J927-

A1 - 6-pin connector -T6am-

A2 - 20-pin connector -T20k-

A3 - 16-pin connector -T16j-



**1.49 Aerial amplifier for mobile telephone -R86- (4-door)**

Fitting location:

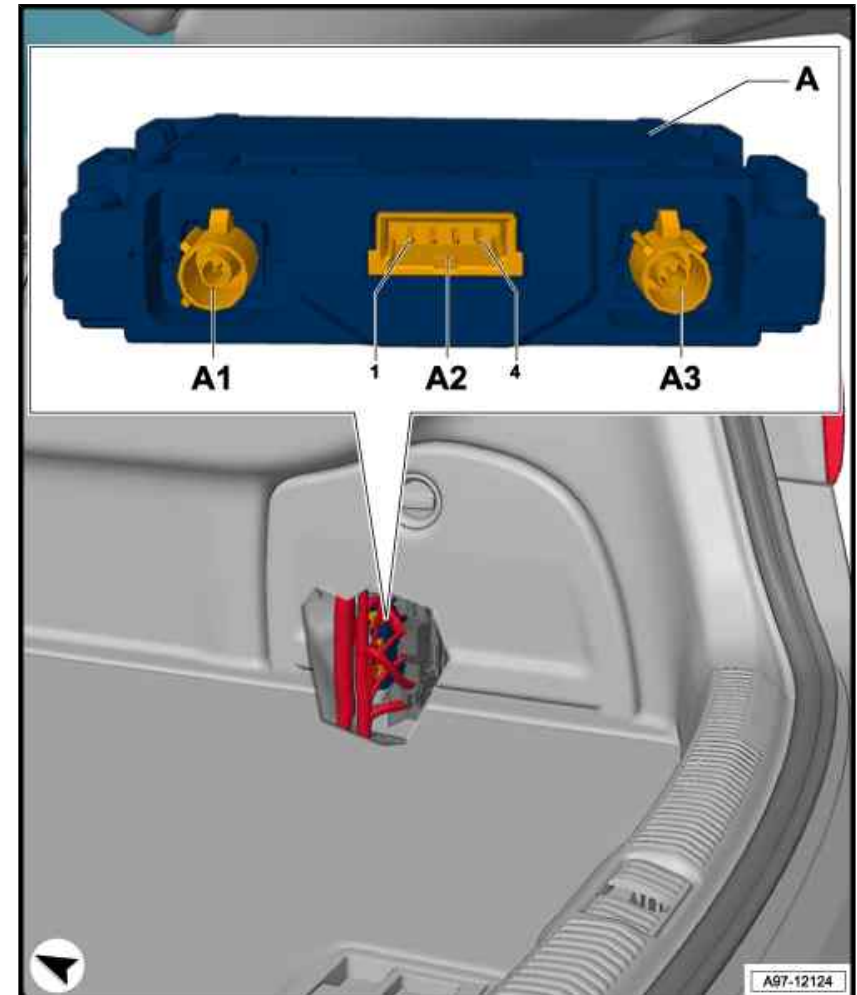
Behind right side trim in luggage compartment.

A - Aerial amplifier for mobile telephone -R86-

A1 - 2-pin connector -T2am- , violet

A2 - 4-pin connector -T4y- , black

A3 - 2-pin connector -T2al- , black



**1.50 Reversing camera system control unit -J772- (4-door)**

Fitting location:

Behind right side trim in luggage compartment.

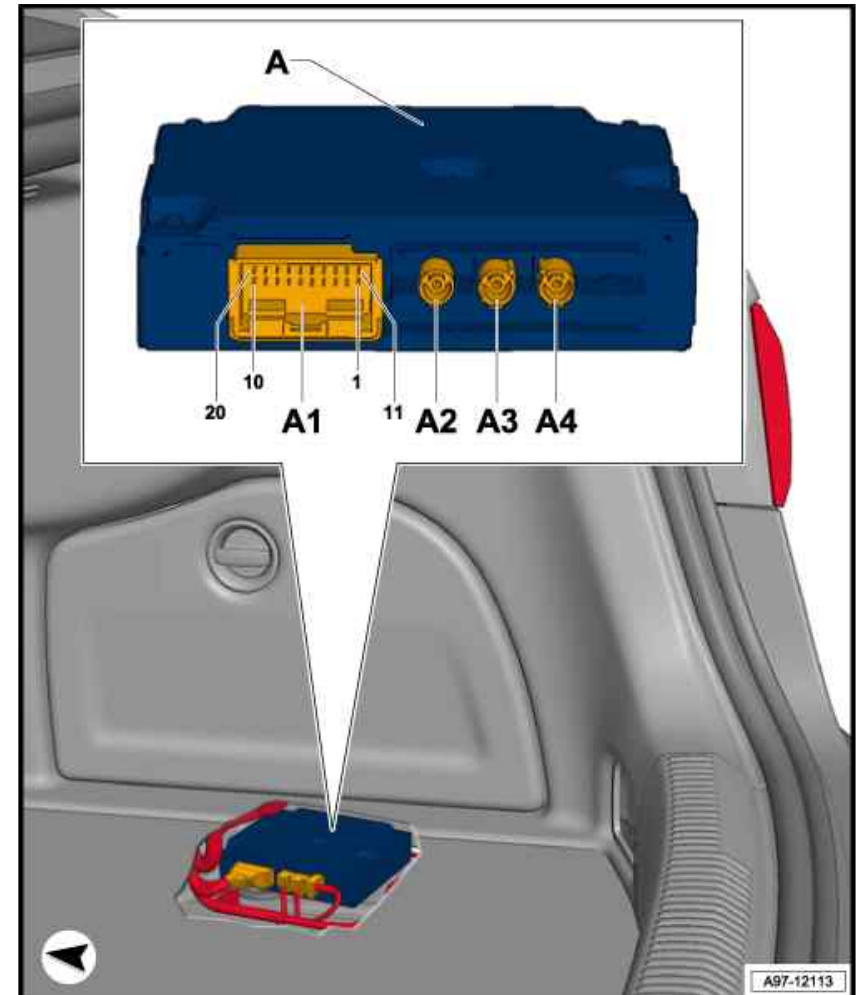
A - Reversing camera system control unit -J772-

A1 - 20-pin connector -T20i- , black

A2 - 2-pin connector -T2df- , green

A3 - 2-pin connector -T2ep- , grey

A4 - not assigned



**1.51 Remote control receiver for auxiliary heater -R64- (4-door)**

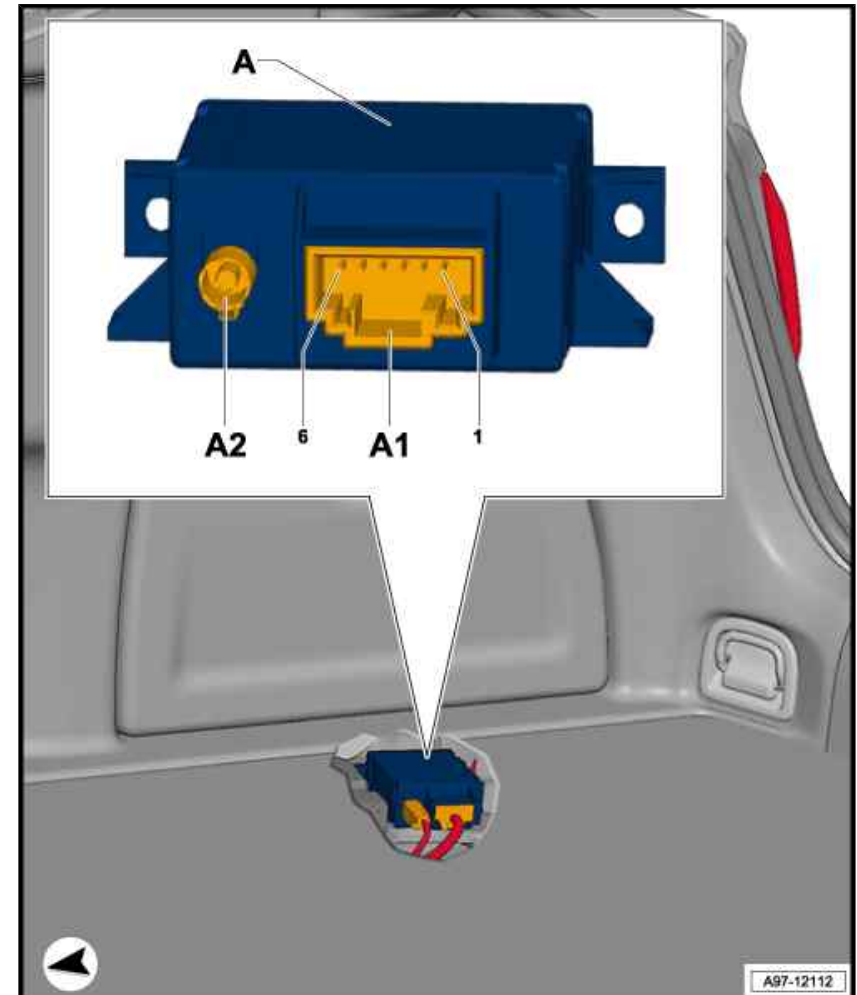
Fitting location:

Behind right side trim in luggage compartment.

A - Remote control receiver for auxiliary heater -R64-

A1 - 6-pin connector -T6s- , blue

A2 - 2-pin connector



**1.52 Trailer detector control unit -J345- , up to April 2014 (4-door)**

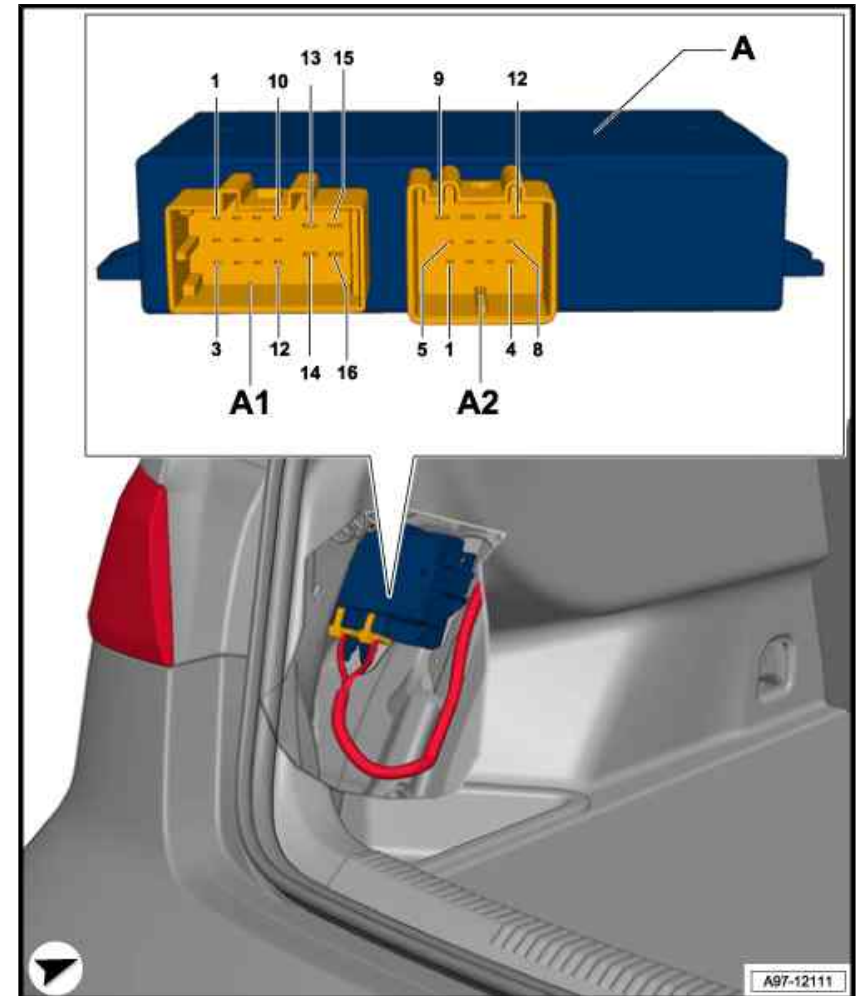
Fitting location:

Behind left side trim in luggage compartment.

A - Trailer detector control unit -J345-

A1 - 16-pin connector -T16l- , black

A2 - 12-pin connector -T12b- , red



**1.53 Trailer detector control unit -J345-, up from May 2014 (4-door)**

Fitting location:

Behind left side trim in luggage compartment.

1 - Trailer detector control unit -J345-

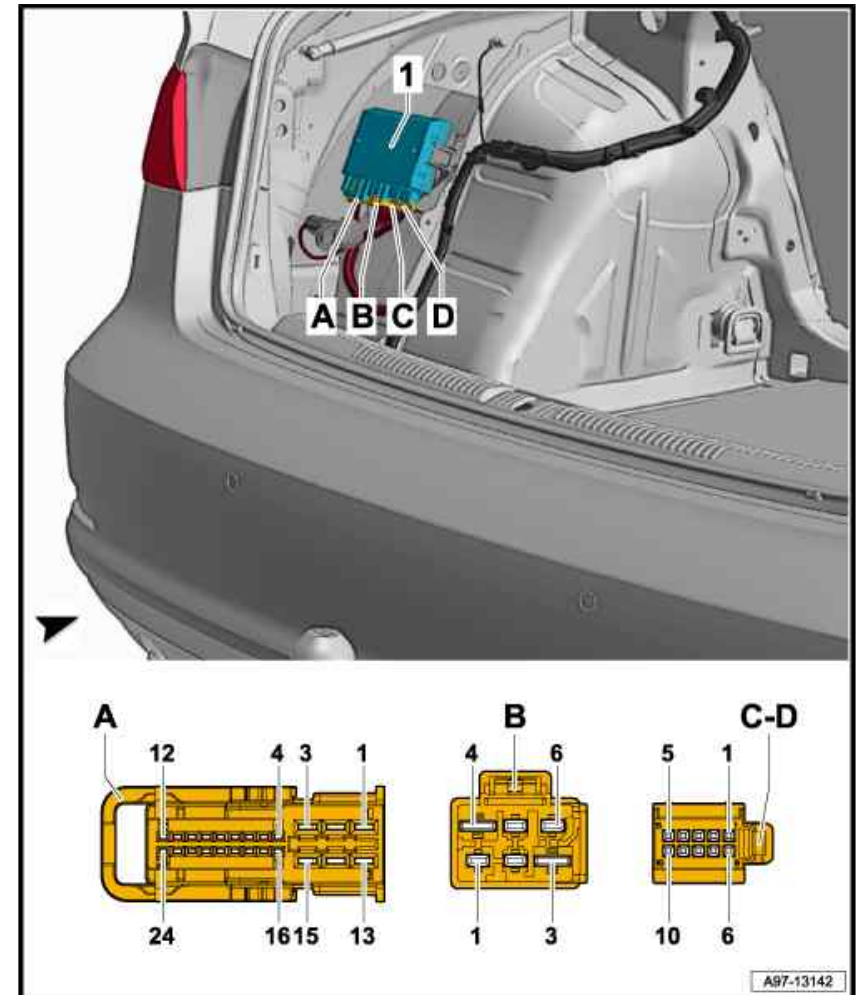
A - 24-pin connector -T24a-, black

B - 6-pin connector -T6aw-, black

C - 10-pin connector -T10ad-, black

D - 10-pin connector -T10aq-, red

□ From May 2016



**1.54 Special vehicle control unit -J608- (4-door)**

Fitting location:

Behind right side trim in luggage compartment.

A - Special vehicle control unit -J608-

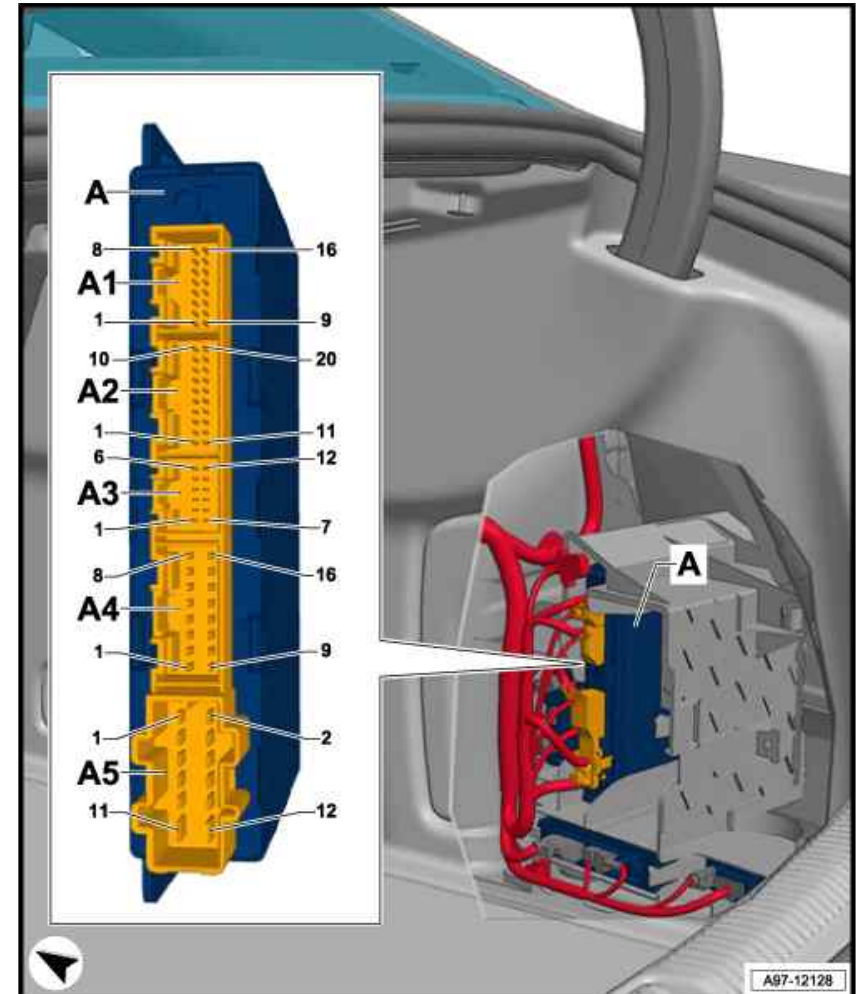
A1 - 16-pin connector -T16h- , brown

A2 - 20-pin connector -T20l- , black

A3 - not assigned

A4 - 16-pin connector -T16b- , black

A5 - 12-pin connector -T12d- , black



**1.55 Special vehicle control unit -J608- (Cabriolet)**

Fitting location:

Behind left side trim in luggage compartment.

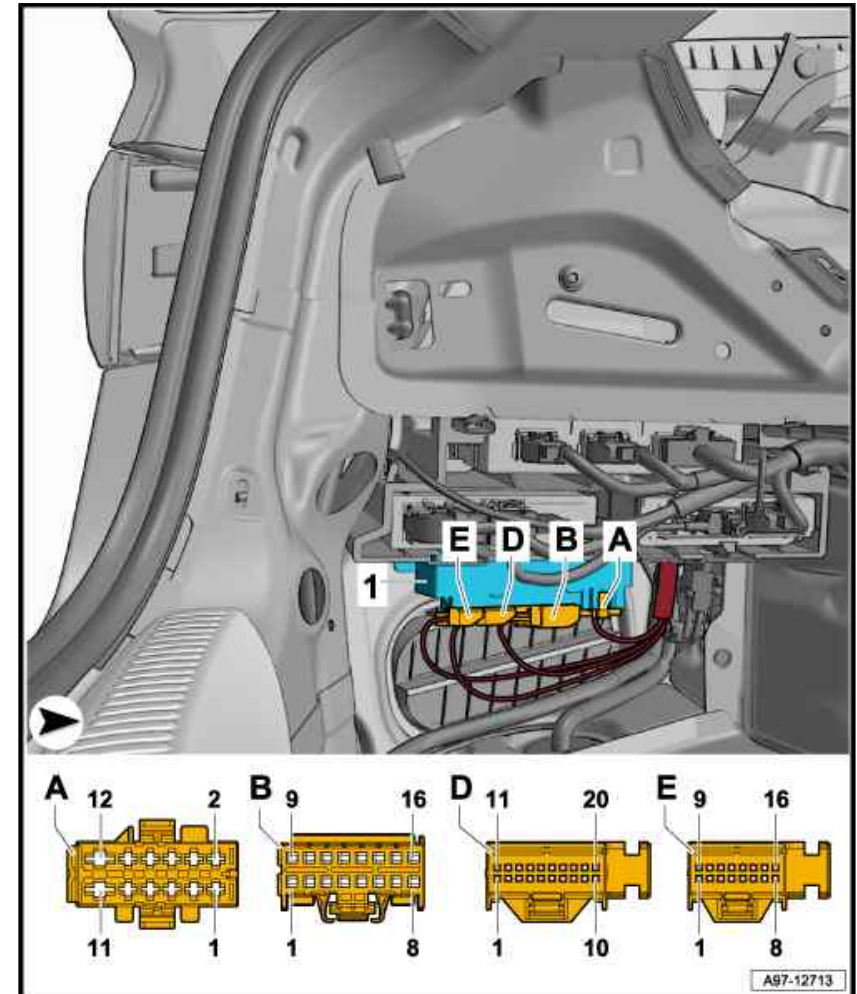
1 - Special vehicle control unit -J608-

A - 12-pin connector -T12d- , black

B - 16-pin connector -T16b- , black

D - 20-pin connector -T20l- , red

E - 16-pin connector -T16h- , brown



**1.56 Aerial amplifier for mobile telephone -R86- (Cabriolet)**

Fitting location:

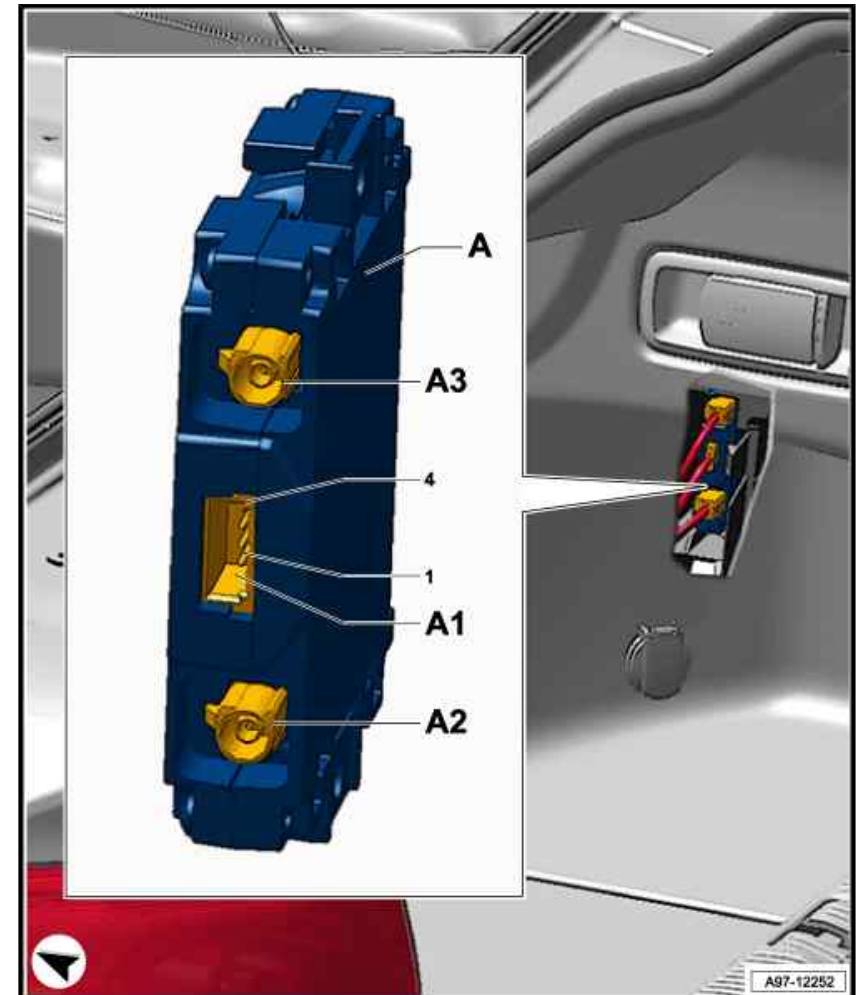
Behind right side trim in luggage compartment.

A - Aerial amplifier for mobile telephone -R86-

A1 - 4-pin connector -T4y- , black

A2 - 2-pin connector -T2am- , violet

A3 - 2-pin connector -T2al- , black



**1.57 Trailer detector control unit -J345- , up to April 2014 (Cabriolet)**

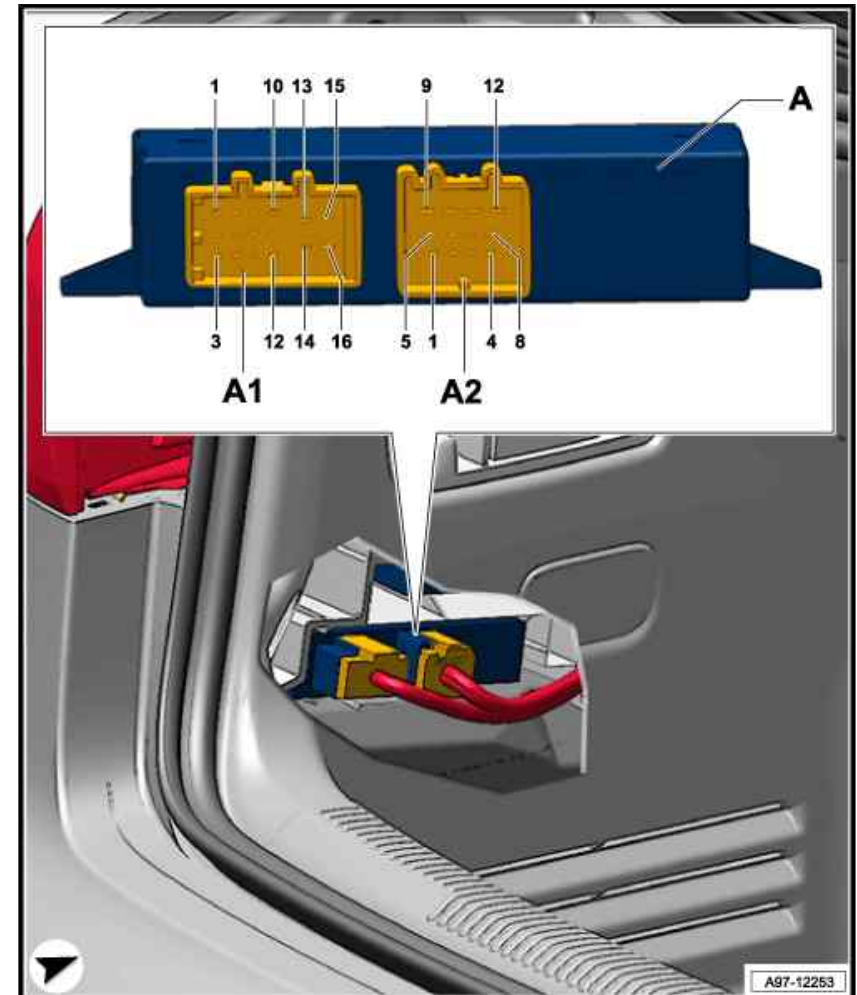
Fitting location:

Behind left side trim in luggage compartment.

A - Trailer detector control unit -J345-

A1 - 16-pin connector -T16l- , black

A2 - 12-pin connector -T12b- , red



**1.58 Trailer detector control unit -J345- , from May 2014 (Cabriolet)**

Fitting location:

Behind left side trim in luggage compartment.

1 - Trailer detector control unit -J345-

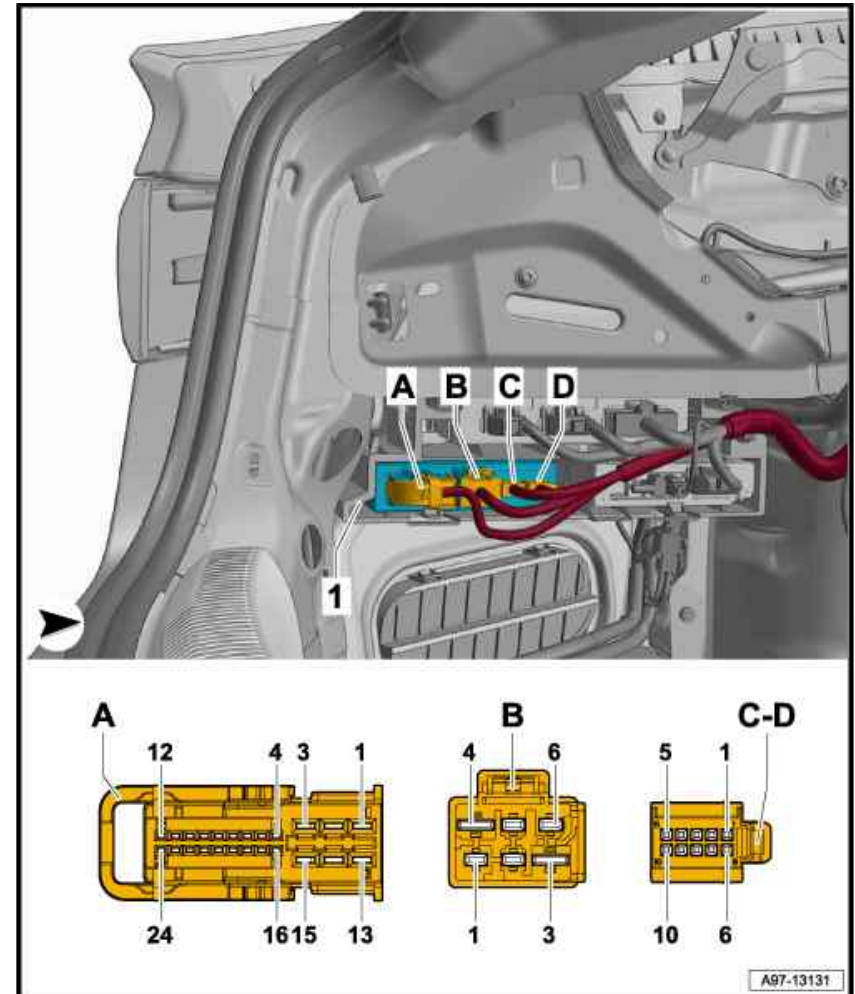
A - 24-pin connector -T24a- , black

B - 6-pin connector -T6aw- , black

C - 10-pin connector -T10ad- , black

D - 10-pin connector -T10aq- , red

□ From May 2016



**1.59 Driver door control unit -J386- (Cabriolet)**

Fitting location:

In driver door.

A - Driver door control unit -J386-

A1 - 6-pin connector -T6f-

A2 - 20-pin connector -T20c-

A3 - 16-pin connector -T16e-

A4 - 32-pin connector -T32b- , blue



**1.60 Passenger door control unit -J387- (Cabriolet)**

Fitting location:

In front passenger door.

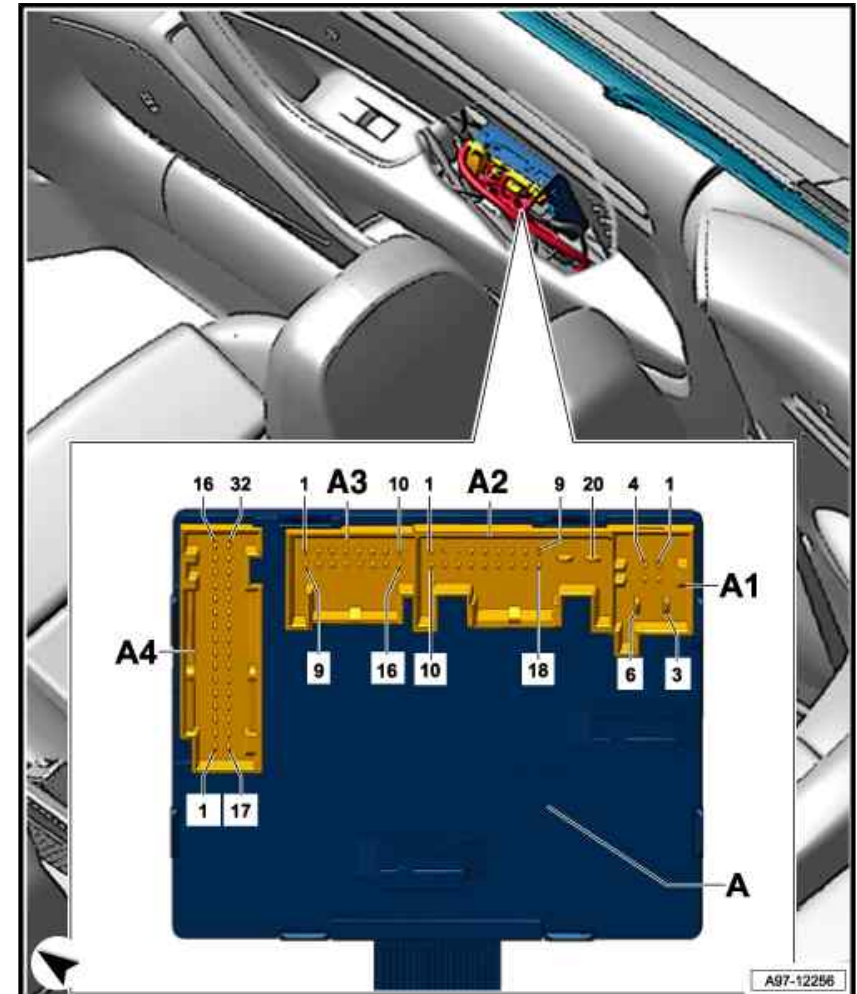
A - Front passenger door control unit -J387-

A1 - 6-pin connector -T6g-

A2 - 20-pin connector -T20d-

A3 - 16-pin connector -T16f-

A4 - 32-pin connector -T32c- , blue





**1.62 Reversing camera system control unit -J772- (Cabriolet)**

Fitting location:

Behind left side trim in luggage compartment.

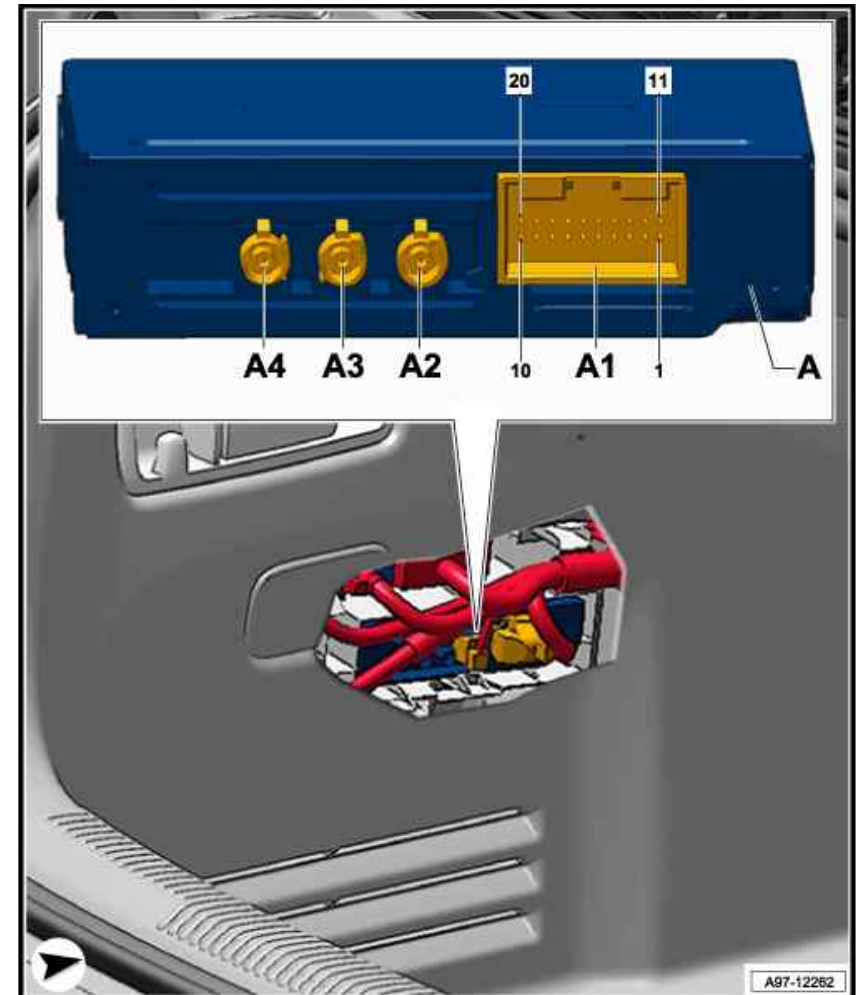
A - Reversing camera system control unit -J772-

A1 - 20-pin connector -T20i- , black

A2 - 2-pin connector -T2df- , green

A3 - 2-pin connector -T2ep-

A4 - not assigned



**1.63 Interior mirror -EX5-**

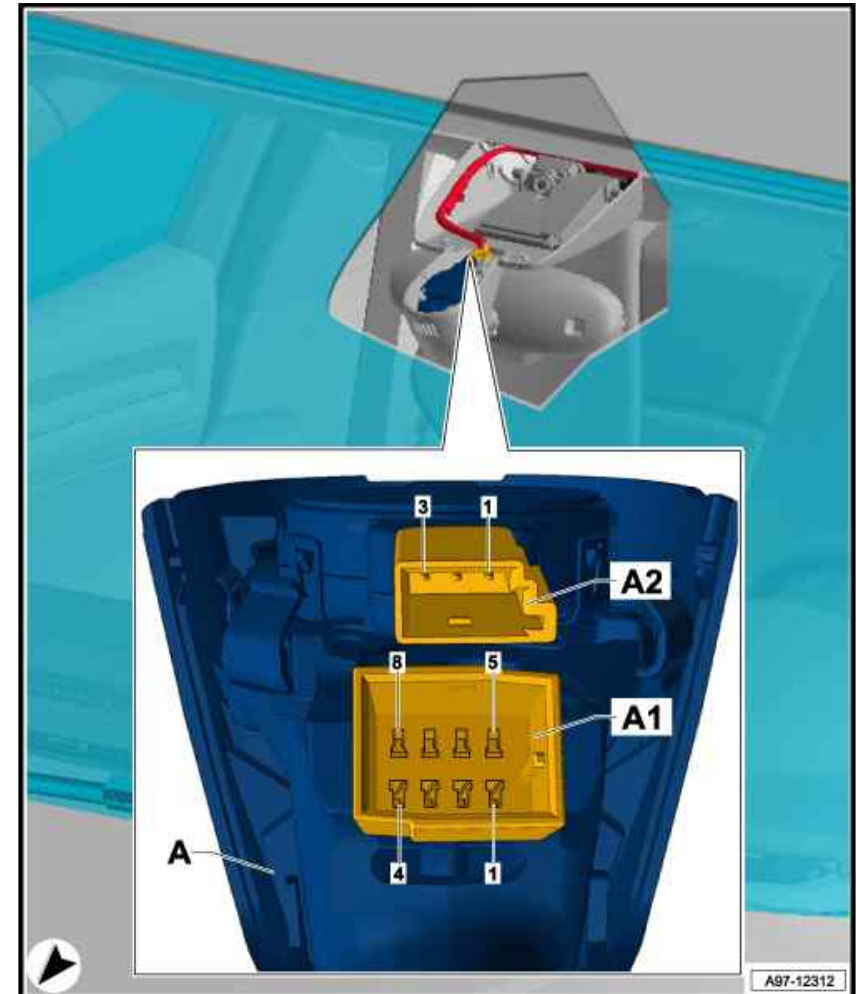
Fitting location:

At front of roof side member.

A - Interior mirror -EX5-

A1 - 8-pin connector -T8a- , black

A2 - 3-pin connector -T3f- , black



**1.64 All-wheel drive control unit -J492-**

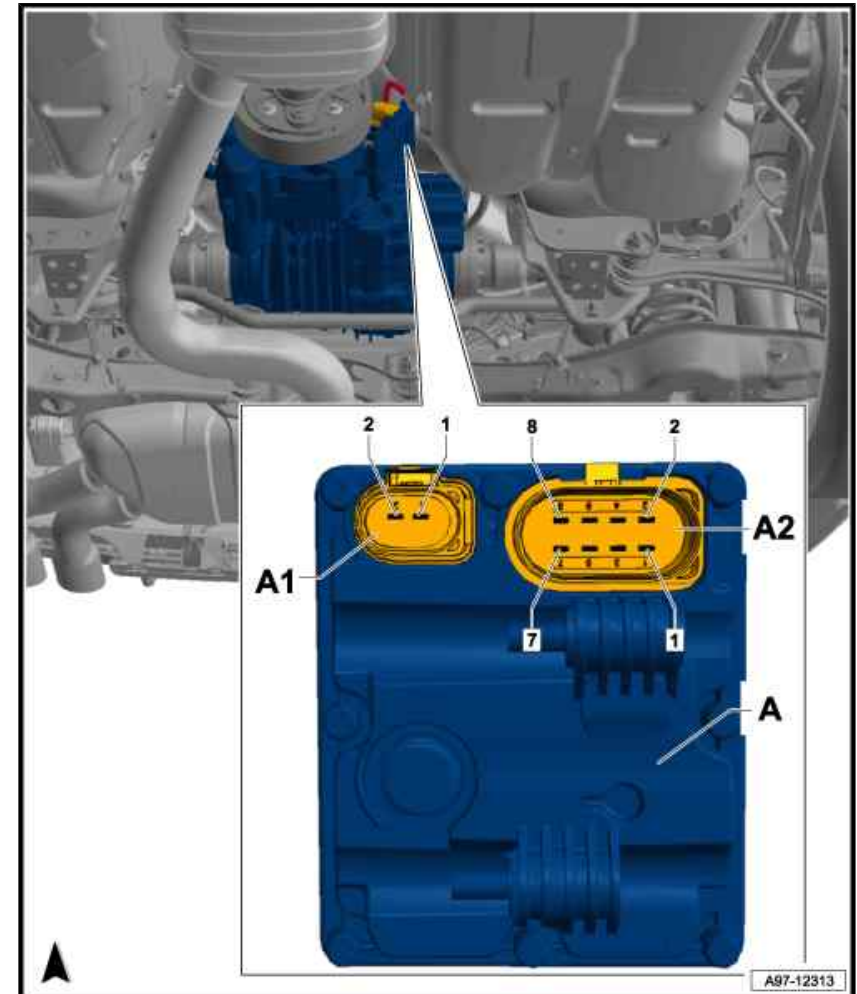
Fitting location:

On rear axle differential.

A - All-wheel drive control unit -J492-

A1 - 2-pin connector -T2ax-

A2 - 8-pin connector -T8y- , black



**1.65 Display unit for front information display and operating unit control unit -J685-**

Fitting location:

Dash panel - centre.

**A - Display unit for front information display and operating unit control unit -J685-**

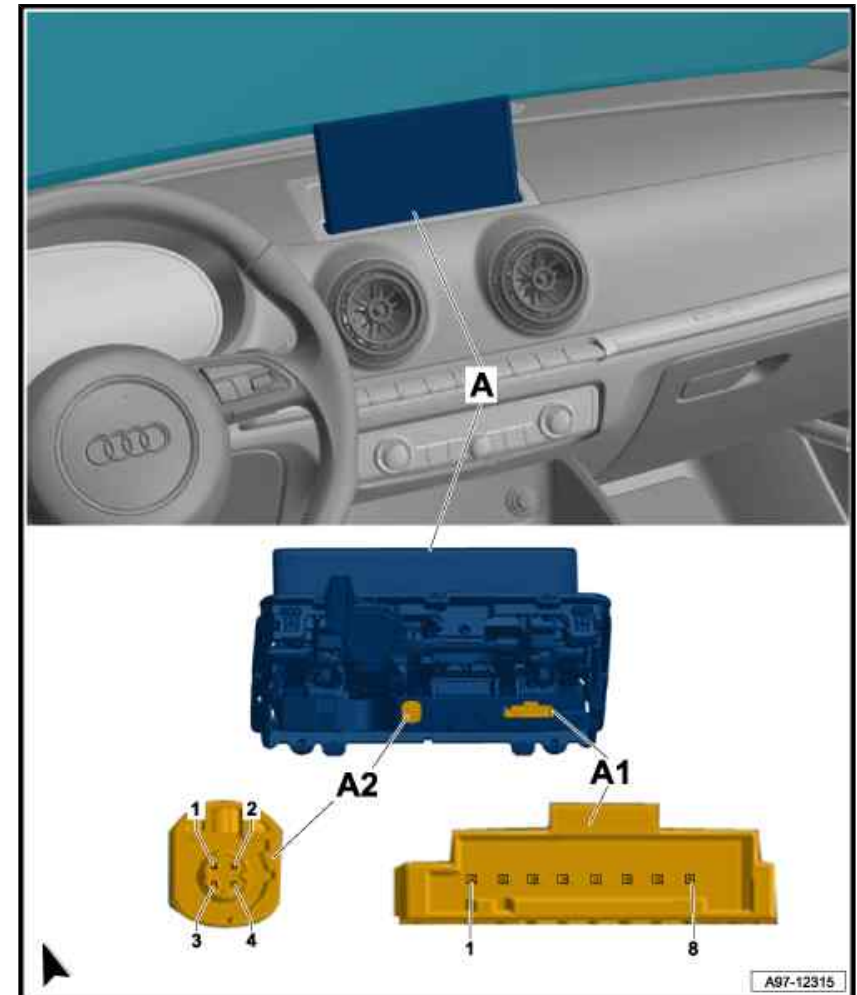
**A1 - 8-pin connector -T8ai- , black**

**A2 - 4-pin connector -T4ao- , white**

☐ Only for MMI with radio

**A2 - 4-pin connector -T4ao- , black**

☐ For MMI high only



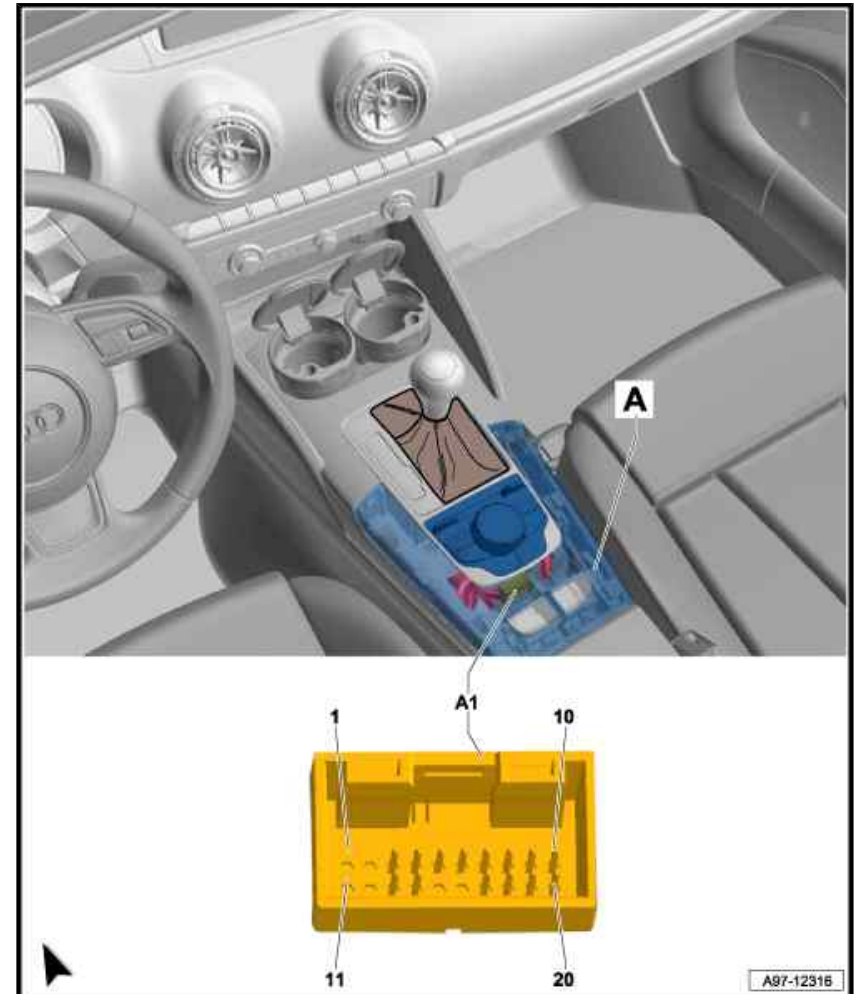
**1.66 Multimedia system operating unit -E380- (MMI)**

Fitting location:

On centre console.

A - Multimedia system operating unit -E380-

A1 - 20-pin connector -T20h- , red



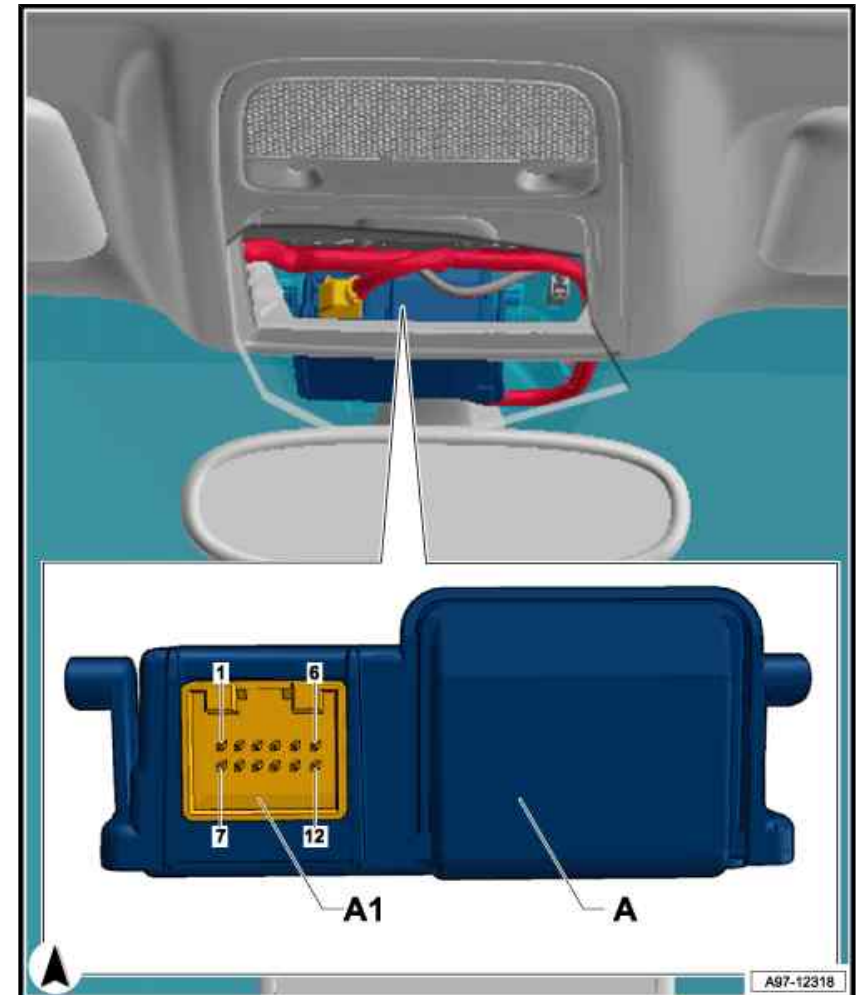
**1.67 Front camera for driver assist systems -R242-**

Fitting location:

Near interior mirror.

A - Front camera for driver assist systems -R242-

A1 - 12-pin connector -T12ac- , black



**1.68 Control unit 1 for information electronics -J794- (MMI high), up to April 2016**

Fitting location:

In glove compartment.

**A - Control unit 1 for information electronics -J794-**

**A1 - Connector block, consisting of:**

- ◆ 8-pin connector -T8ag- (connector A), brown
- ◆ 12-pin connector -T12x- (connector B), blue
- ◆ 12-pin connector -T12y- (connector C), green
- ◆ 8-pin connector -T8j- (connector D), black
- ◆ 12-pin connector -T12v- (connector E), grey

**A2 - 2-pin connector -T2t- , black**

**A3 - 4-pin connector -T4al- , grey**

**A4 - 4-pin connector -T4w- , yellow**

**A5 - 4-pin connector -T4ar- , yellow**

**A6 - 2-pin connector -T2ew-**

**A7 - 4-pin connector -T4v-**

**A8 - 2-pin connector -T2ac- , blue**

**A9 - Connector for models with LTE aerial 1 -R297- and LTE aerial 2 -R306-**

- ◆ 4-pin connector, -T4as- , violet

**A9 - Connector for models with telephone aerial -R65-**

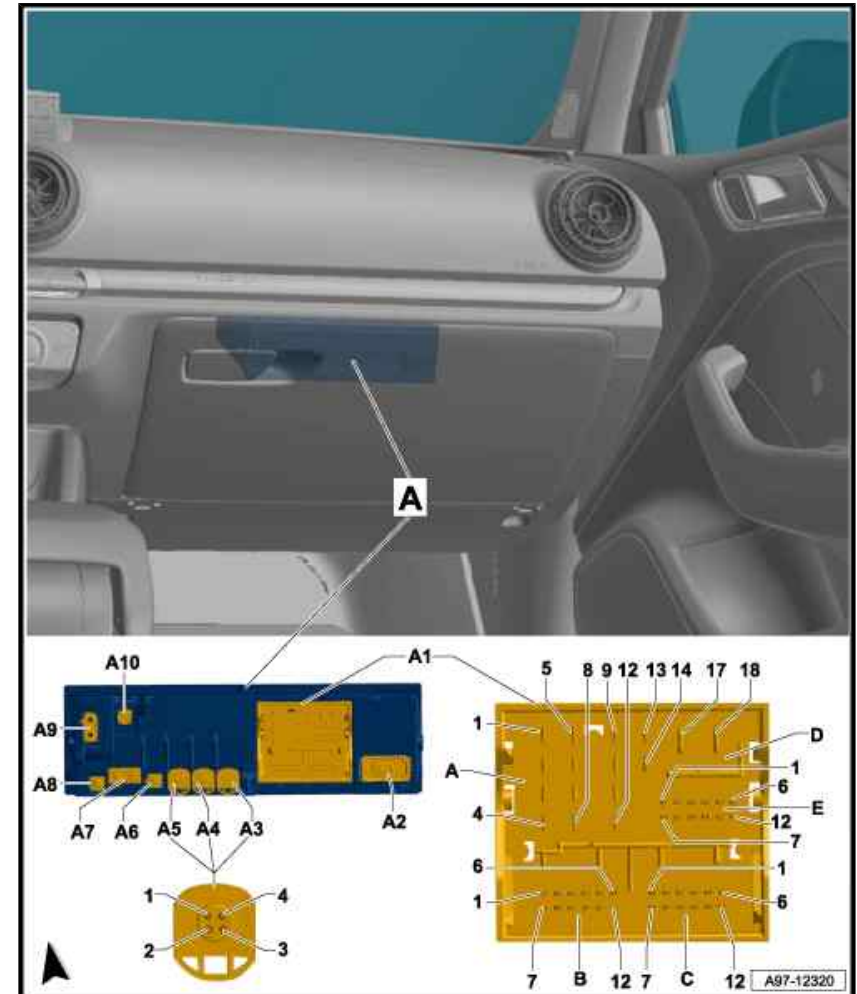
- ◆ 2-pin connector -T2af- , violet

**A10 - 2-pin connector -T2ad- , black**

- For models with no US equipment only

**A10 - 2-pin connector -T2ad- , brown**

- For models with US equipment only



**1.69 TV tuner -R78- (5-door)**

Fitting location:

Behind right side trim in luggage compartment.

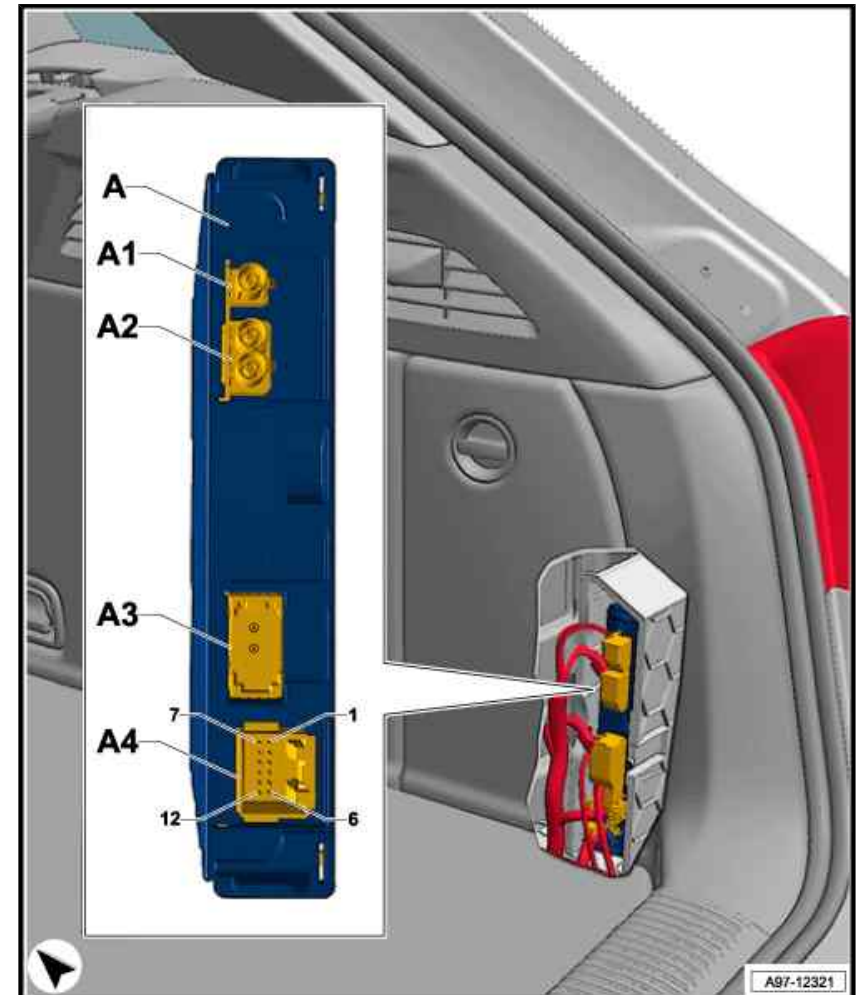
A - TV tuner -R78-

A1 - 2-pin connector -T2ey- , brown

A2 - 4-pin connector -T4ab- , green

A3 - 2-pin connector -T2ev- , black

A4 - 12-pin connector -T12aa- , black



**1.70 TV tuner -R78- (4-door)**

Fitting location:

Behind right side trim in luggage compartment.

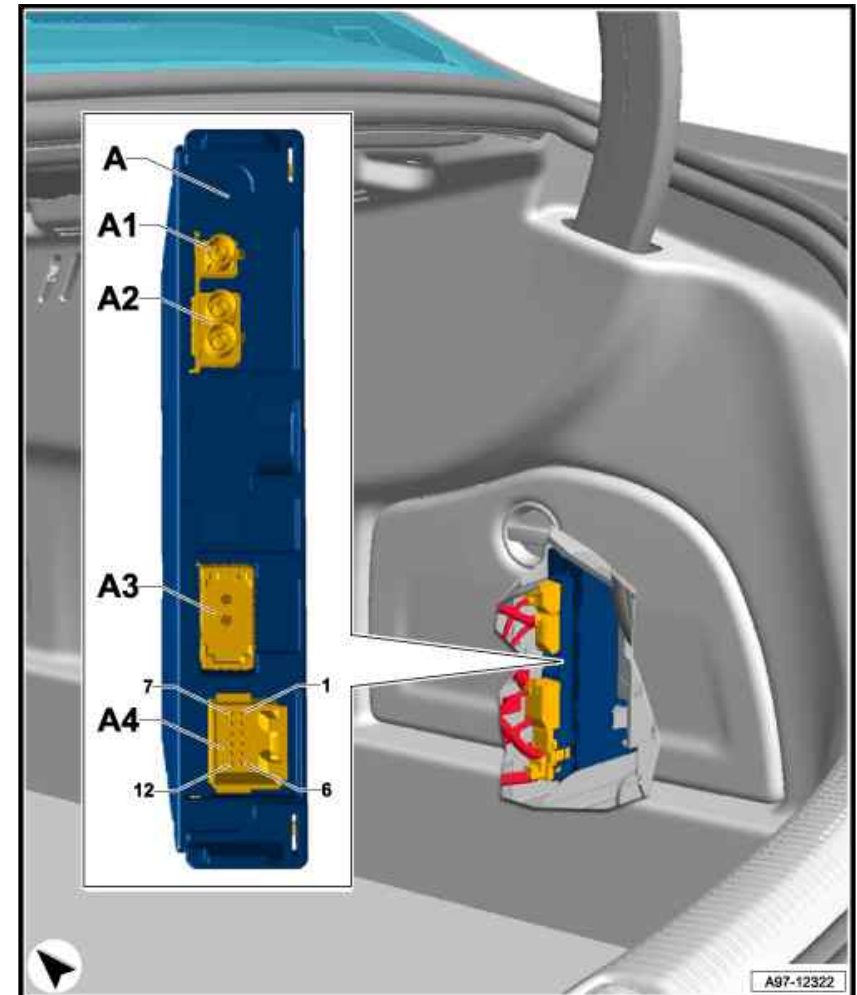
A - TV tuner -R78-

A1 - 2-pin connector -T2ey- , brown

A2 - 4-pin connector -T4ab- , green

A3 - 2-pin connector -T2ev- , black

A4 - 12-pin connector -T12aa- , black



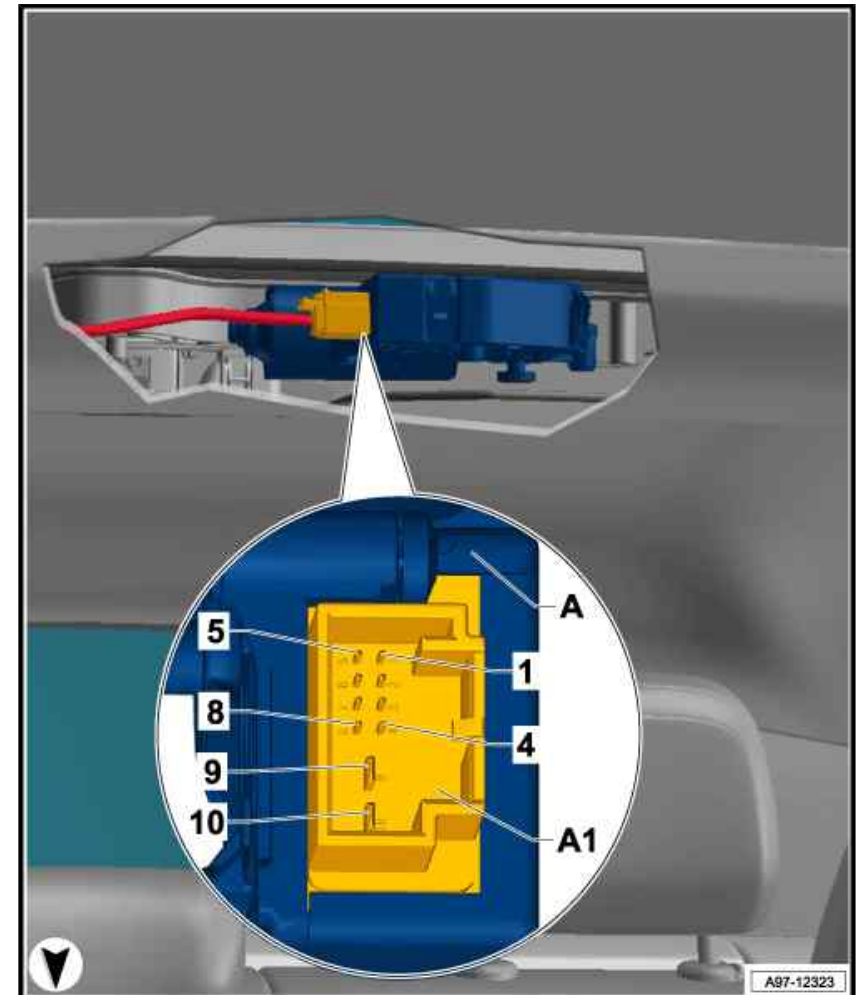
**1.71 Sliding sunroof adjustment control unit -J245-**

Fitting location:

On sliding sunroof motor.

A - Sliding sunroof adjustment control unit -J245-

A1 - 10-pin connector -T10o-



**1.72 Control unit 1 for information electronics -J794- (radio), up to July 2016**

Fitting location:

In glove compartment.

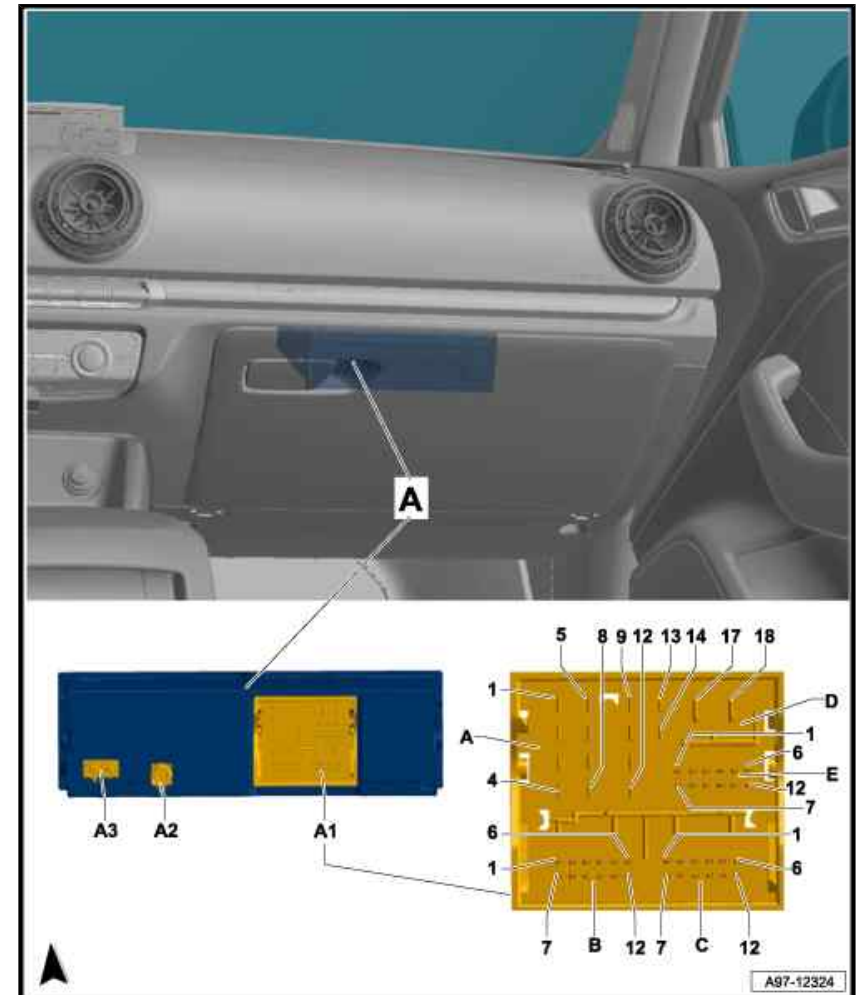
**A - Control unit 1 for information electronics -J794-**

**A1 - Connector block, consisting of:**

- ◆ 8-pin connector -T8ag- (connector A), brown
- ◆ 12-pin connector -T12x- (connector B), blue
- ◆ 12-pin connector -T12y- (connector C), green
- ◆ 8-pin connector -T8j- (connector D), black
- ◆ 12-pin connector -T12v- (connector E), grey

**A2 - 4-pin connector -T4al- (if installed)**

**A3 - 4-pin connector -T4v-**



**1.73 Control unit 1 for information electronics -J794- , MMI radio, from May 2016**

Fitting location:

In glove compartment.

**1 - Control unit 1 for information electronics -J794-**

**A - 2-pin connector -T2pz-**

- Connection for DAB aerial

**B - 4-pin connector -T4as-**

- Connection for GSM/LTE aerial

**C - 2-pin connector -T2py-**

- Connection for GPS aerial

**D - 4-pin connector -T4el-**

- Connection for radio aerials

**E - 4-pin connector -T4ej-**

- Connection for display

**F - 4-pin connector -T4ef-**

- Connection for USB

**G - 2-pin connector -T2po-**

- Connection for fibre-optic data bus (MOST bus)

**H - 12-pin connector -T12y-**

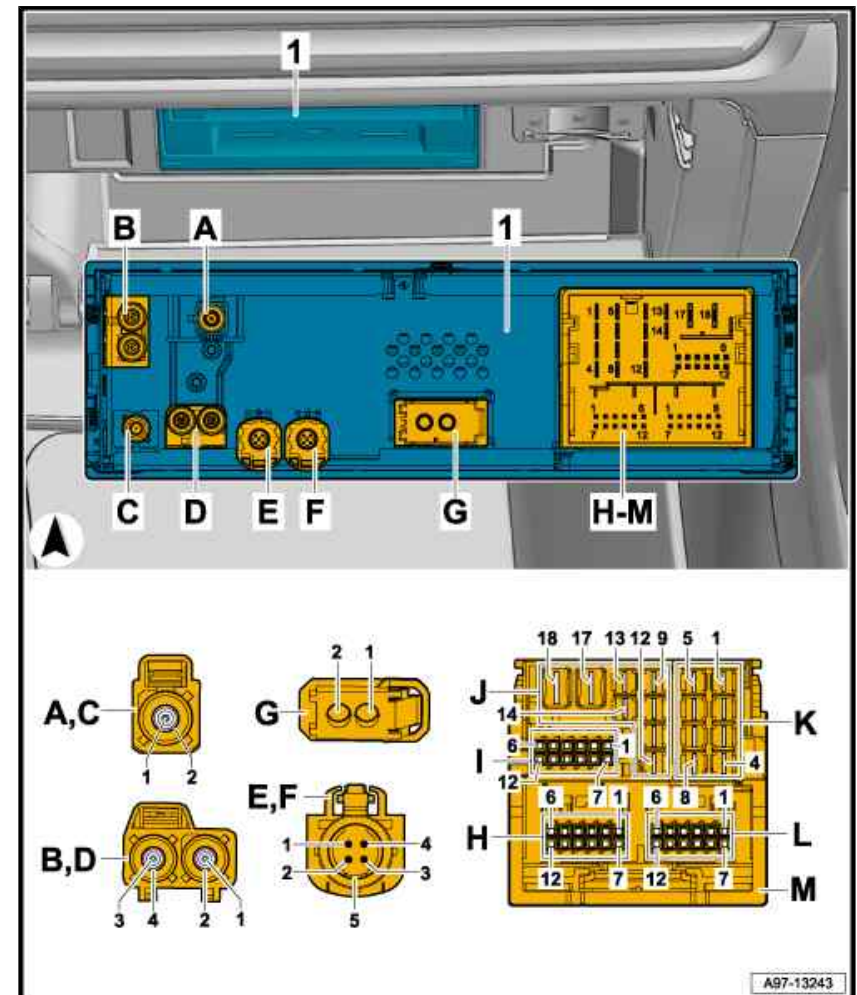
**I - 12-pin connector -T12v-**

**J - 8-pin connector -T8j-**

**K - 8-pin connector -T8ag-**

**L - 12-pin connector -T12x-**

**M - Terminal block**



**1.74 Control unit 1 for information electronics -J794- , MMI Navigation plus (I8L), from May 2016**

Fitting location:

In glove compartment.

**1 - Control unit 1 for information electronics -J794-**

**A - 2-pin connector -T2pz-**

- Connection for DAB aerial

**B - 4-pin connector -T4as-**

- Connection for GSM/LTE aerial

**C - 2-pin connector -T2py-**

- Connection for GPS aerial

**D - 4-pin connector -T4el-**

- Connection for radio aerials

**E - Ignore**

**F - 4-pin connector -T4dx-**

- Connection for control unit in dash panel insert

**G - 4-pin connector -T4ef-**

- Connection for USB

**H - 4-pin connector -T4ej-**

- Connection for display

**I - 12-pin connector -T12y-**

**J - 12-pin connector -T12v-**

**K - 8-pin connector -T8j-**

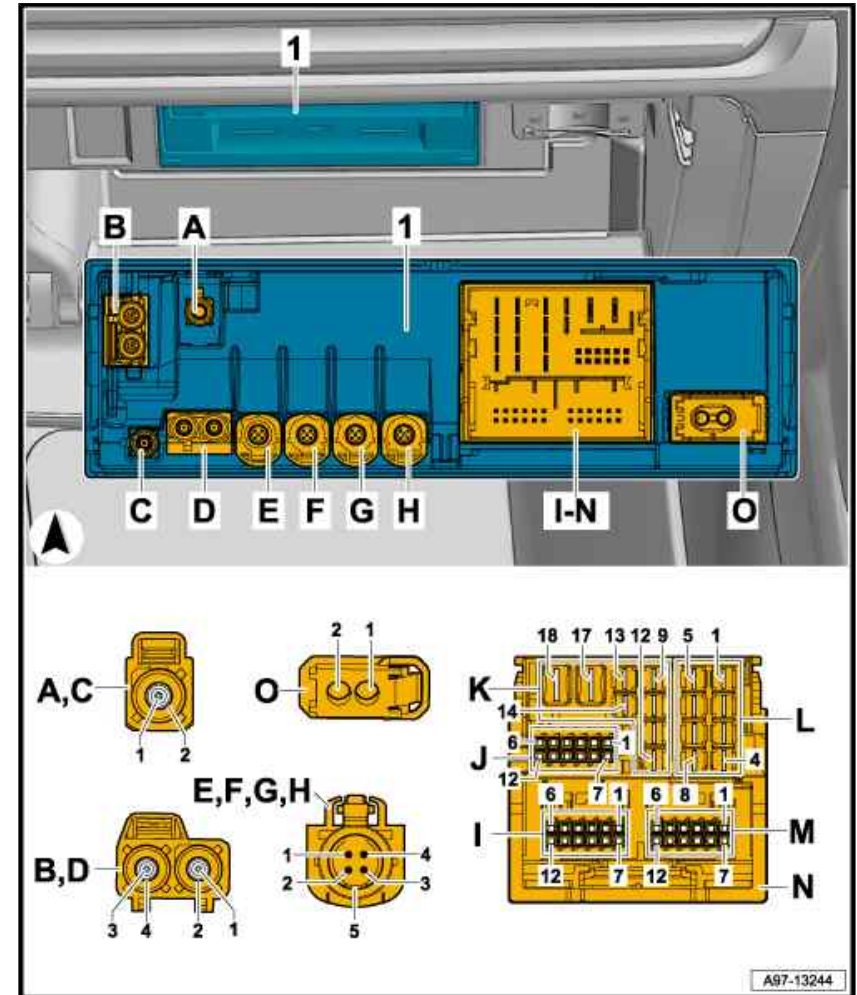
**L - 8-pin connector -T8ag-**

**M - 12-pin connector -T12x-**

**N - Terminal block**

**O - 2-pin connector -T2po-**

- Connection for fibre-optic data bus (MOST bus)



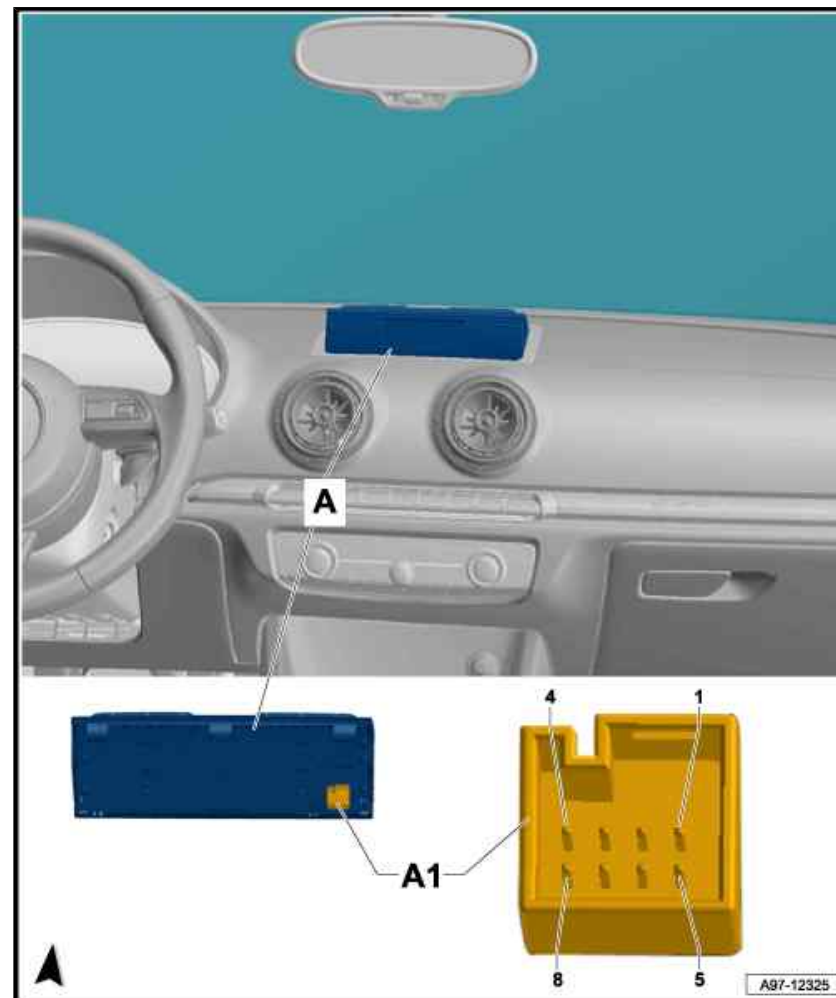
**1.75 Multimedia system operating unit -E380- (radio)**

Fitting location:

Dash panel - centre.

A - Multimedia system operating unit -E380-

A1 - 8-pin connector -T8k- , black



**1.76 Control unit 1 for information electronics -J794- (MMI with radio), up to April 2016**

Fitting location:

In glove compartment.

**A - Control unit 1 for information electronics -J794-**

**A1 - Connector block, consisting of:**

- ◆ 8-pin connector -T8ag- (connector A), brown
- ◆ 12-pin connector -T12x- (connector B), blue
- ◆ 12-pin connector -T12y- (connector C), green
- ◆ 8-pin connector -T8j- (connector D), black
- ◆ 12-pin connector -T12v- (connector E), grey

**A2 - 2-pin connector -T2t- , black**

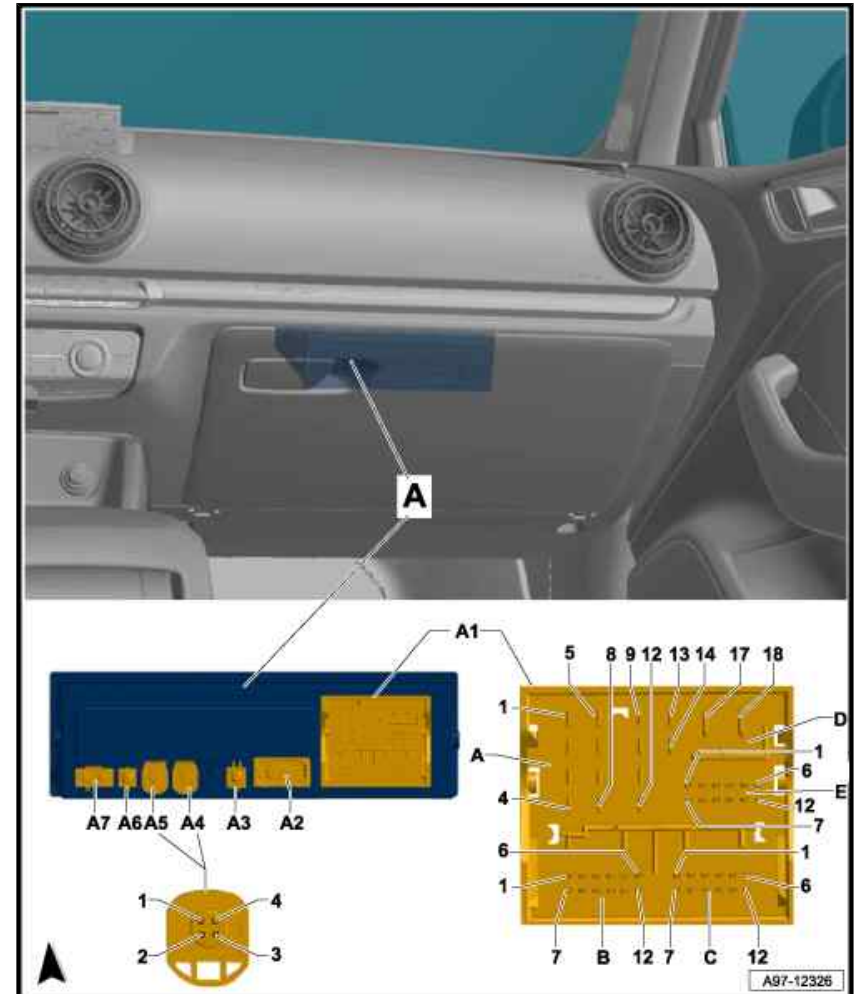
**A3 - 2-pin connector -T2ac- , blue**

**A4 - 4-pin connector -T4w- , yellow**

**A5 - 4-pin connector, -T4al- , violet**

**A6 - 2-pin connector -T2ad-**

**A7 - 4-pin connector -T4v-**



**1.77 Hybrid battery unit -AX1-**

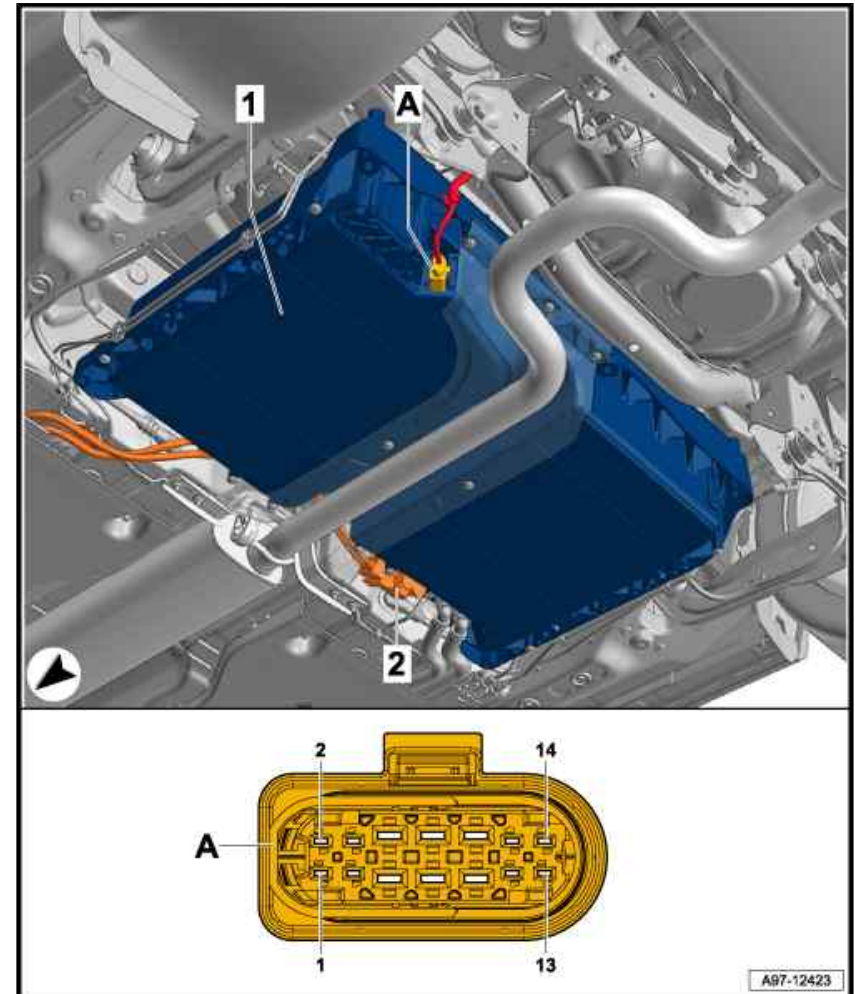
Fitting location:

On underbody, near rear axle

1 - Hybrid battery unit -AX1-

2 - High-voltage wiring harness for high-voltage battery -PX1-

A - 14-pin connector -T14k- , black



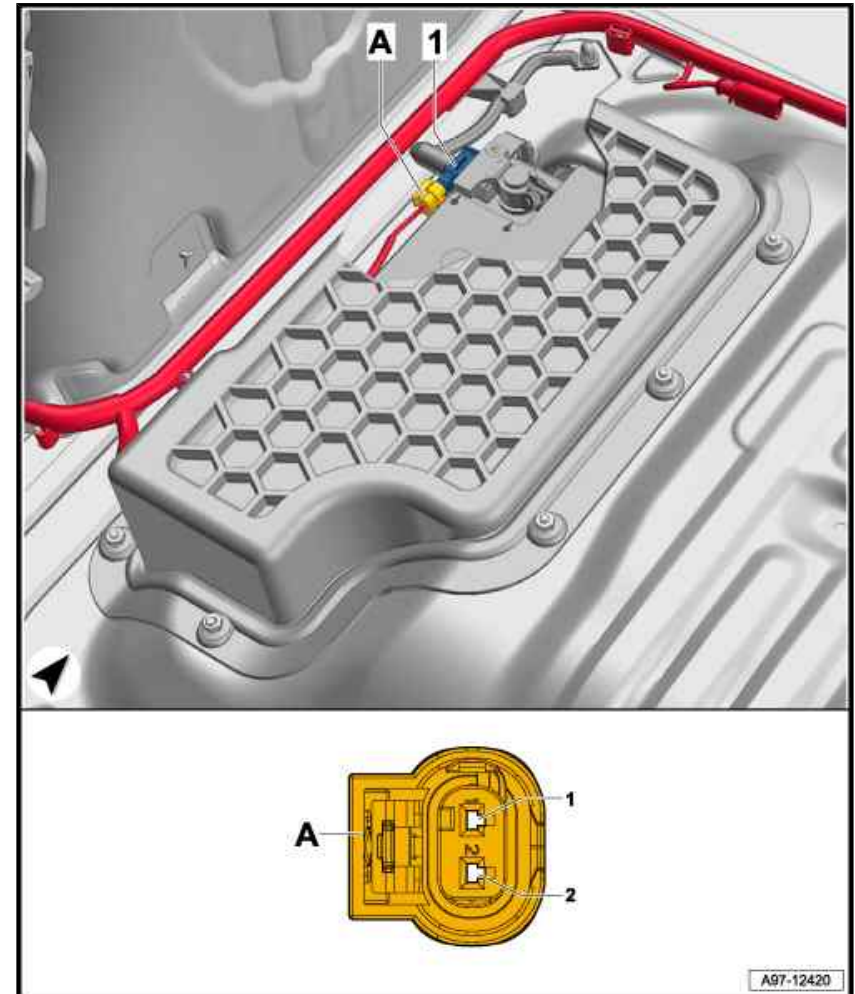
**1.78 Battery monitor control unit -J367-**

Fitting location:

In luggage compartment, on earth cable battery terminal clamp.

1 - Battery monitor control unit -J367-

A - 2-pin connector -T2fk- , black



**1.79 Emergency call module control unit and communication unit -J949-**

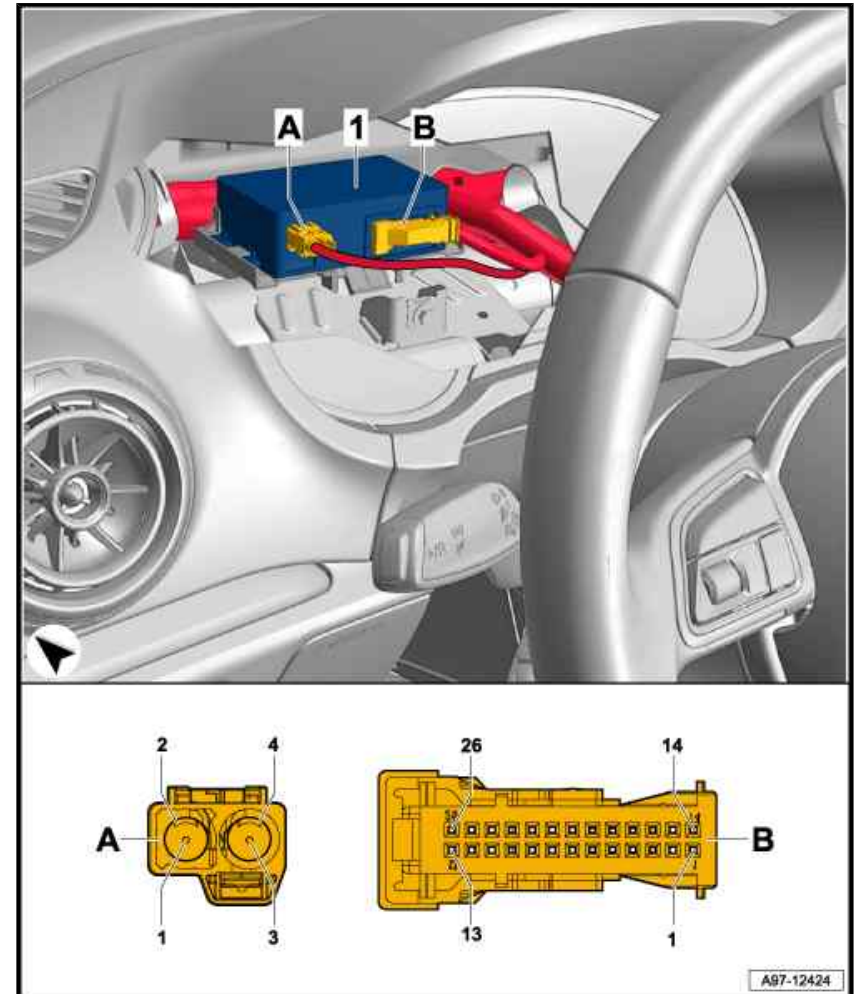
Fitting location:

Behind the control unit in dash panel insert -J285- .

1 - Emergency call module control unit and communication unit -J949-

A - 4-pin connector, -T4bn- , violet

B - 26-pin connector -T26e- , black



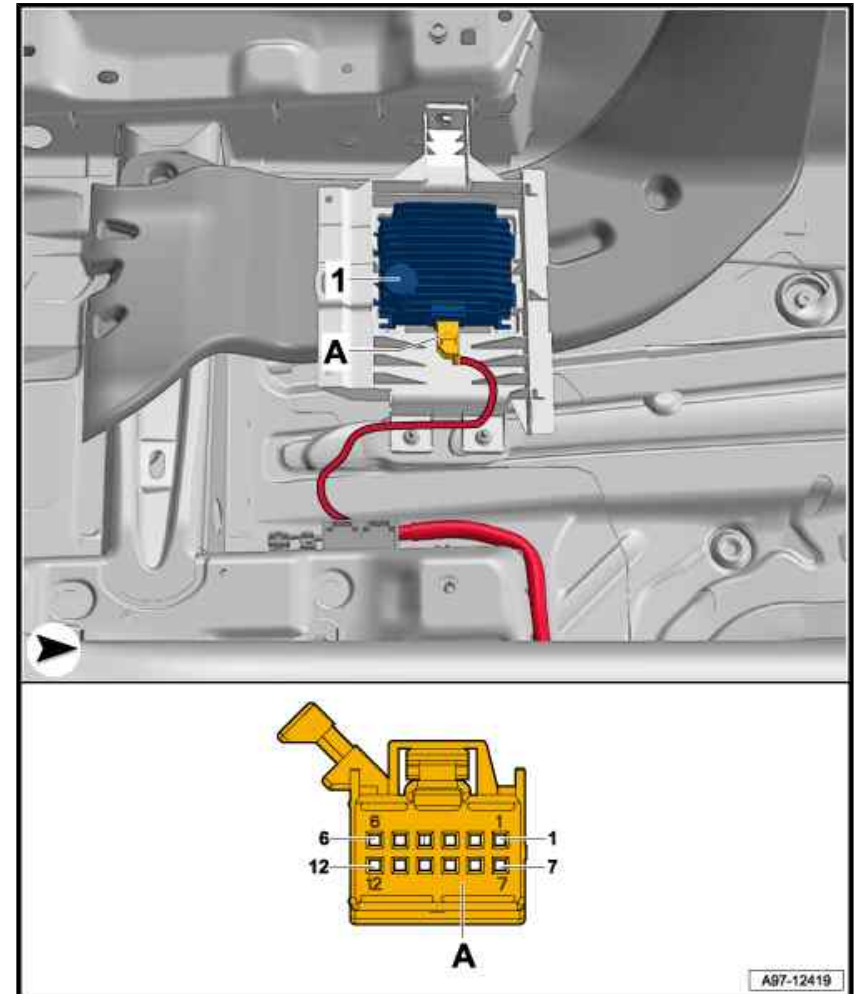
**1.80 Engine sound generator control unit -J943-**

Fitting location:

Under front passenger seat.

1 - Engine sound generator control unit -J943-

A - 12-pin connector -T12I- , black



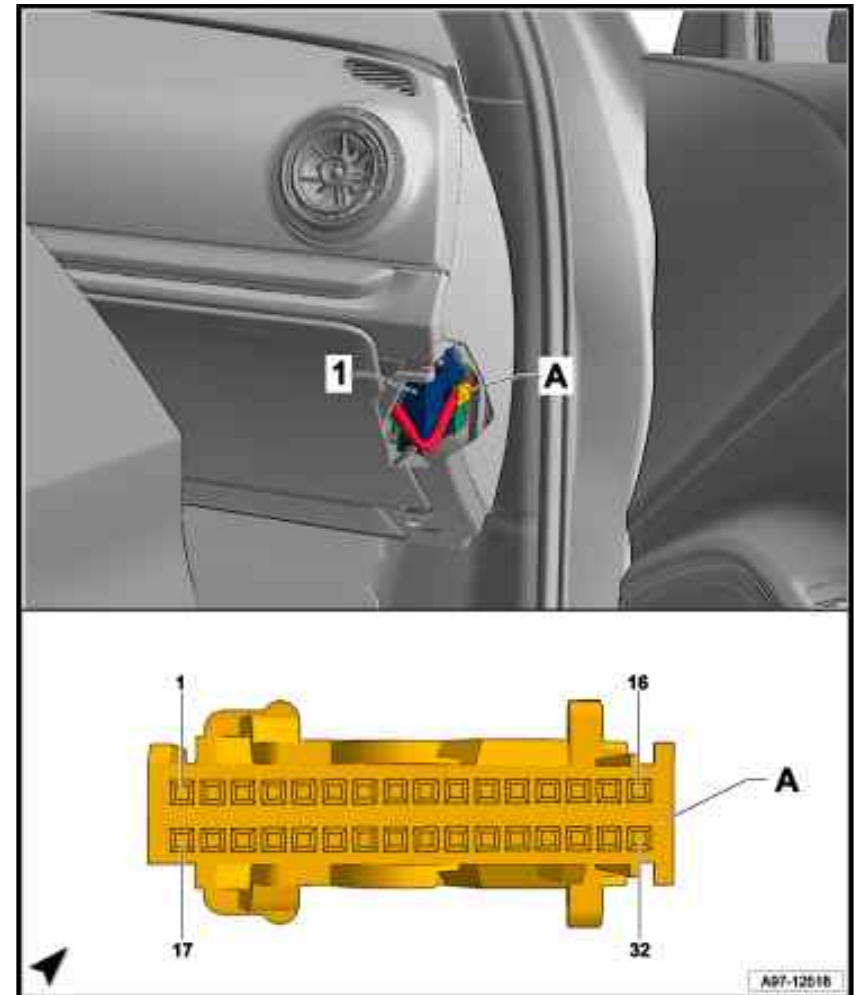
**1.81 Entry and start authorisation control unit -J518- , with US equipment, up to June 2018**

Fitting location:

Behind glove compartment.

1 - Entry and start authorisation control unit -J518-

A - 32-pin connector -T32a- , blue



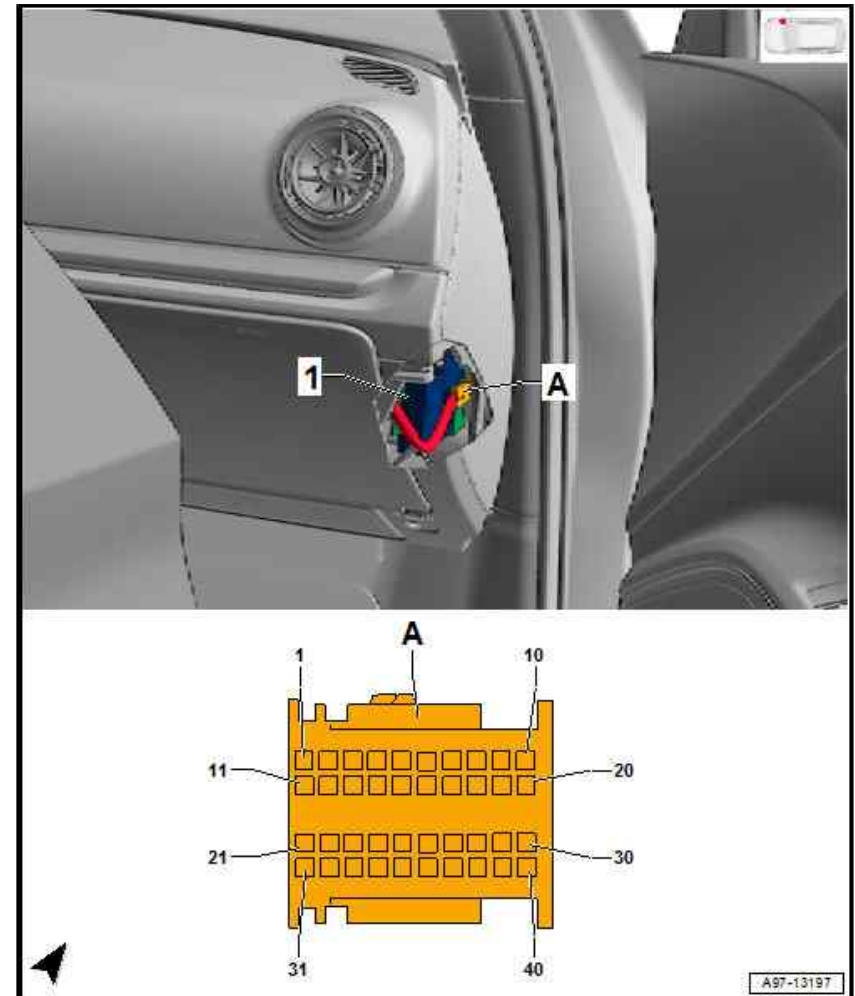
**1.82 Entry and start authorisation control unit -J518- , with US equipment, from July 2018**

Fitting location:

Behind glove compartment.

1 - Entry and start authorisation control unit -J518-

A - 40-pin connector -T40a- , black



**1.83 Multifunction steering wheel control unit -J453-**

Fitting location:

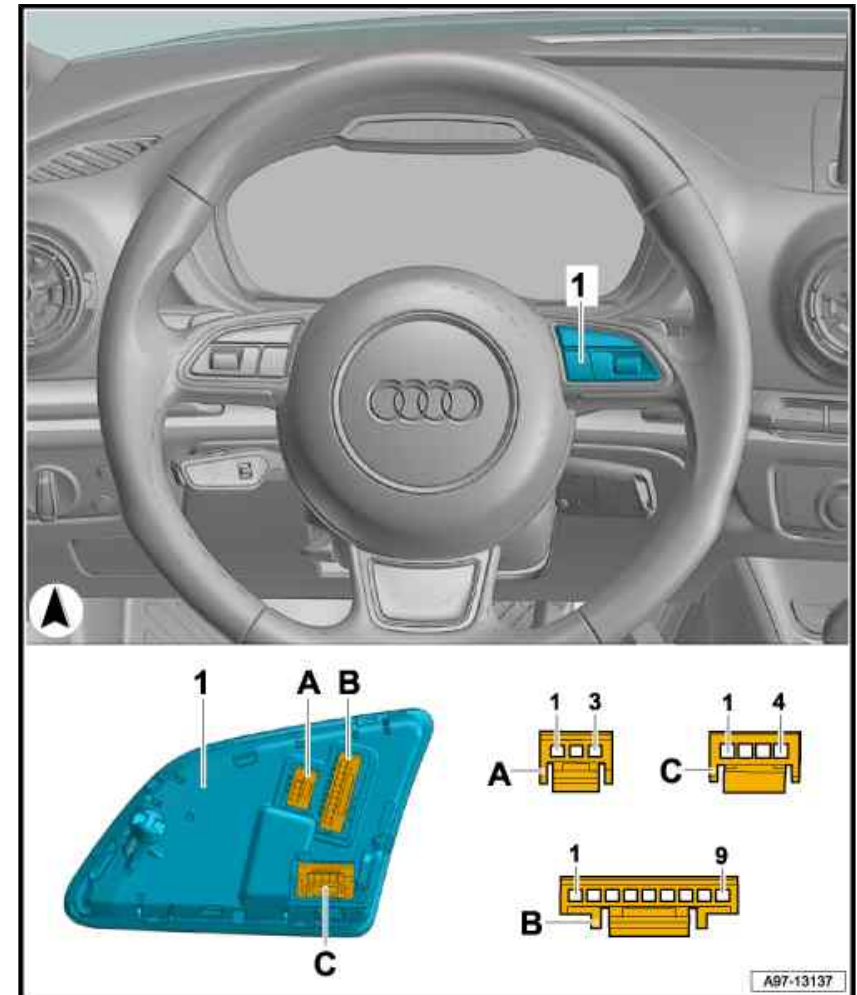
On steering wheel.

1 - Multifunction steering wheel control unit -J453-

A - 3-pin connector

B - 9-pin connector

C - 4-pin connector



**1.84 Control unit for front left belt tensioner -J854- / control unit for front right belt tensioner -J855- (Cabriolet)**

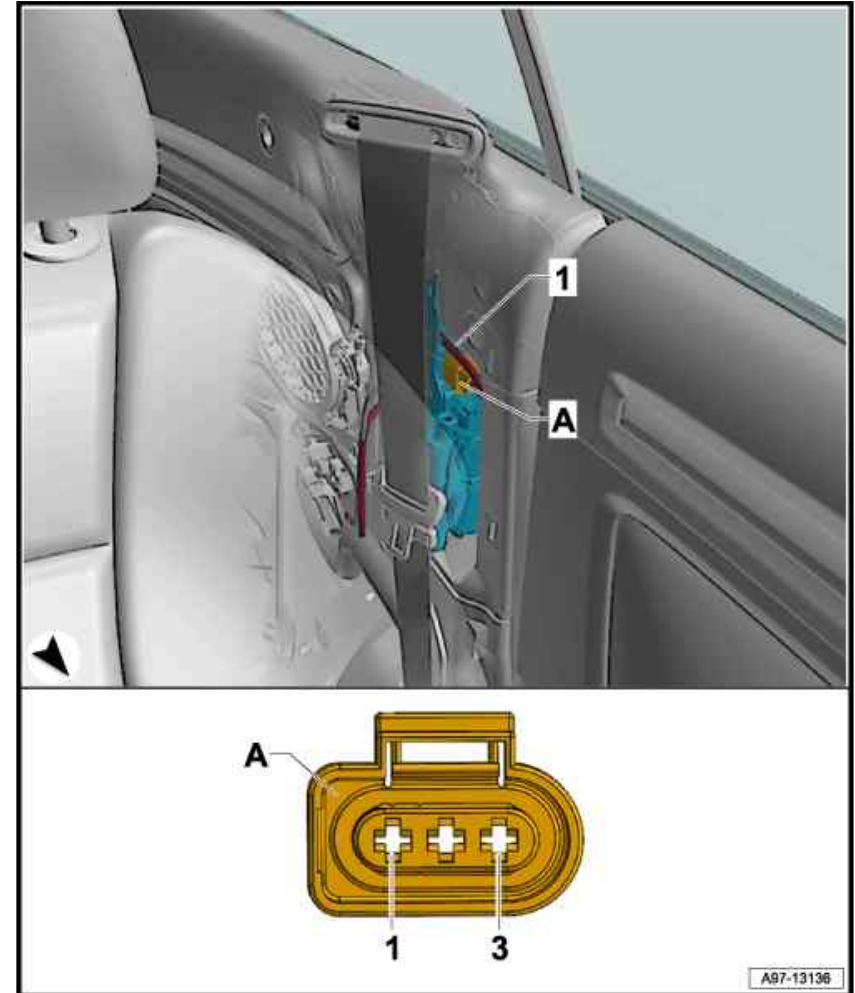
Fitting location:

On belt retractor

**1 - Control unit for front left belt tensioner -J854- / control unit for front right belt tensioner -J855-**

**A - 3-pin connector -T3o- / -T3p- , black**

- 3-pin connector -T3o- on control unit for front left belt tensioner -J854-
- 6-pin connector -T3p- on control unit for front right belt tensioner -J855-



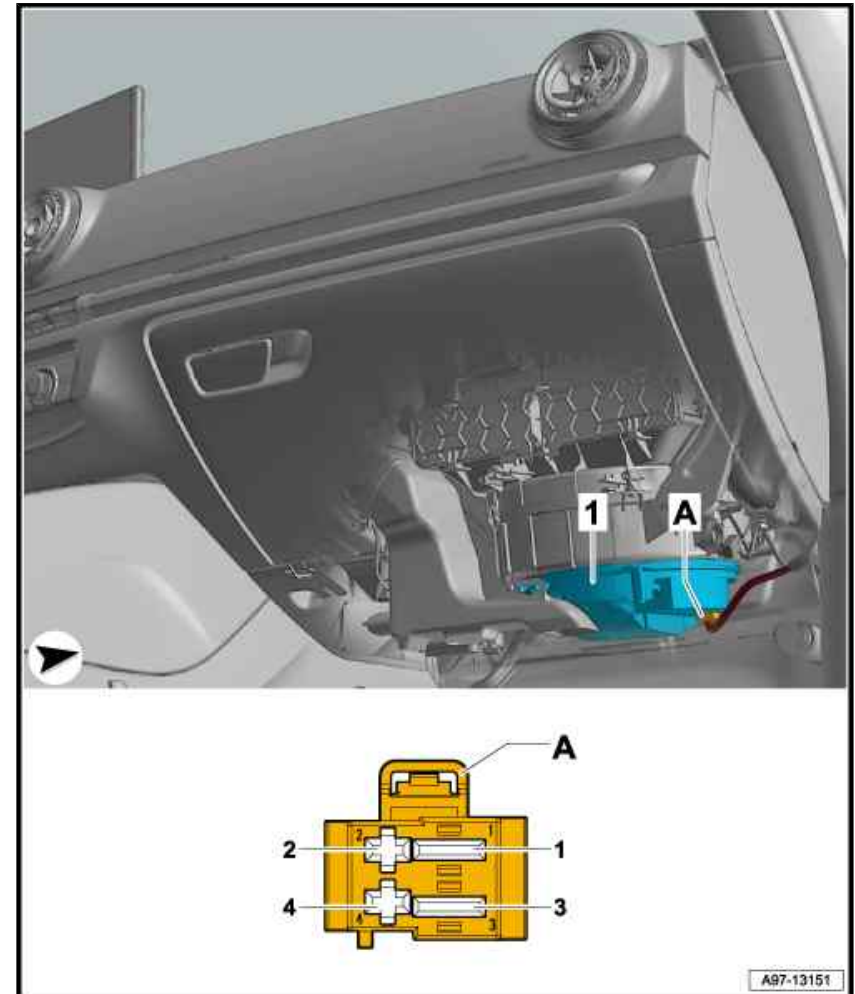
**1.85 Fresh air blower control unit -J126-**

Fitting location:

On fresh air blower.

1 - Fresh air blower control unit -J126-

A - 4-pin connector -T4bs- , black



**1.86 Reversing camera system control unit -J772- , from May 2016**

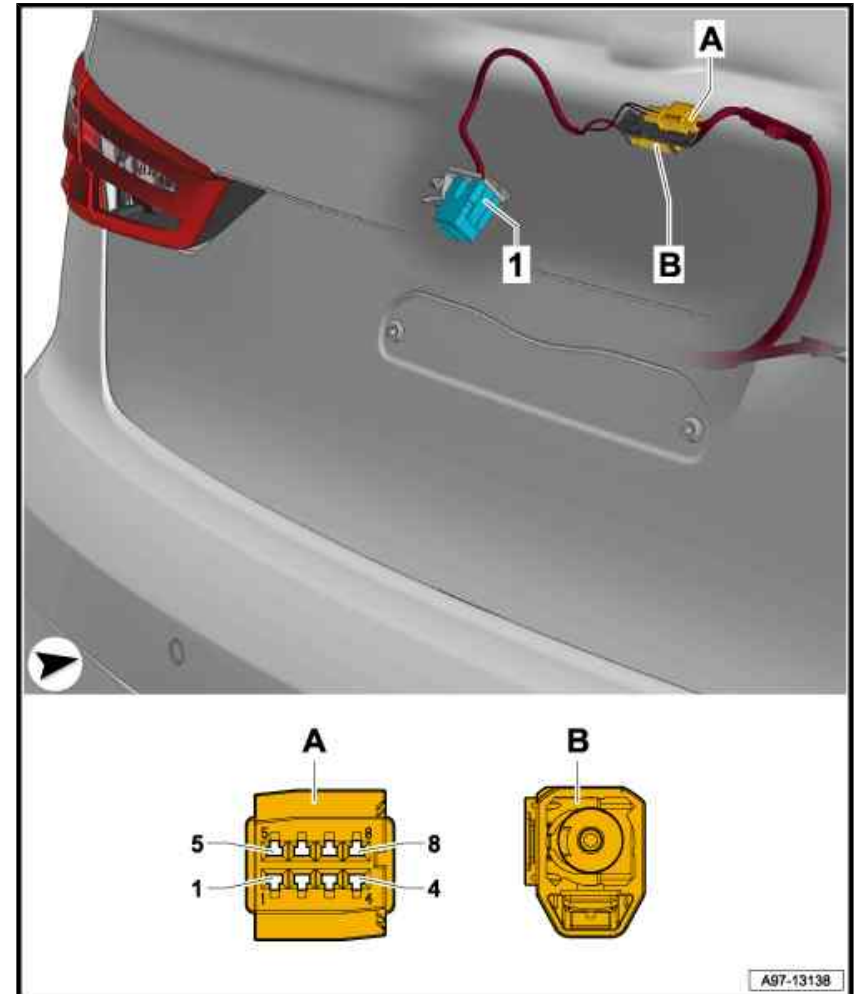
Fitting location:

In rear lid.

1 - Reversing camera system control unit -J772-

A - 8-pin connector -T8ao- , black

B - 2-pin connector -T2ps- , grey



**1.87 Control unit with rear driver side window regulator motor -J1016- / Control unit with rear passenger side window regulator motor -J1017- (4 and 5-door)**

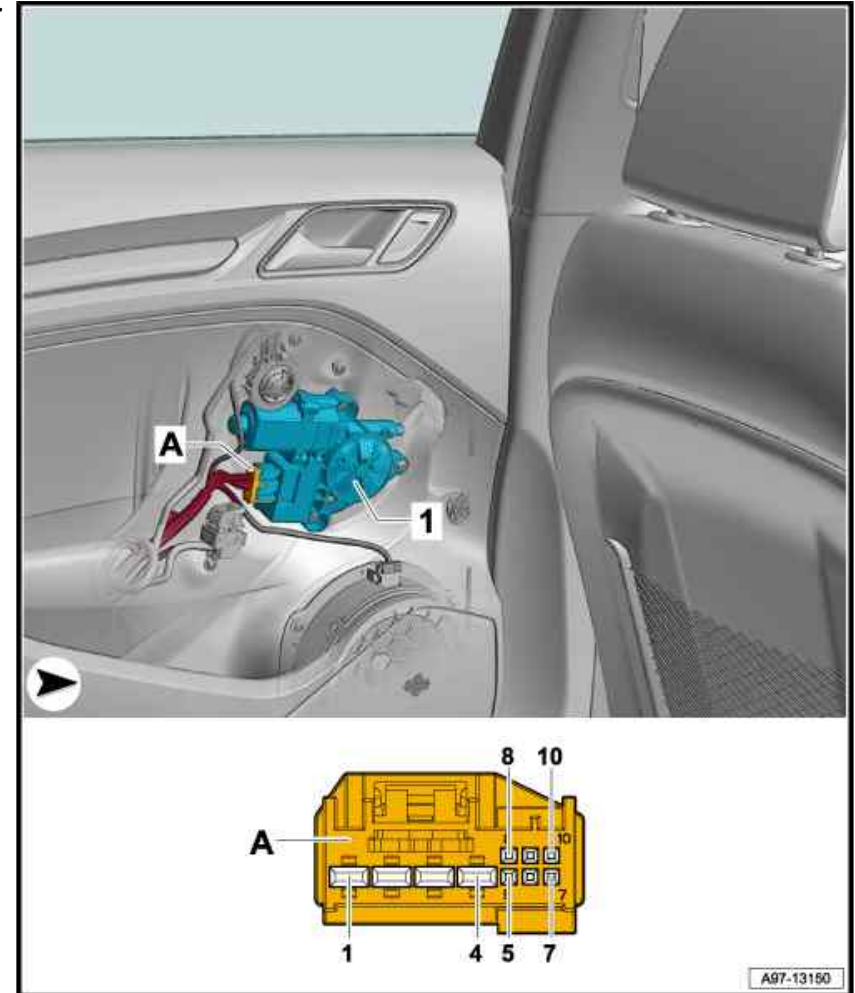
Fitting location:

In rear door.

**1 - Control unit with rear driver side window regulator motor -J1016- / Control unit with rear passenger side window regulator motor -J1017-**

**A - 10-pin connector -T10ah- / -T10ai- , black**

- 10-pin connector -T10ah- on Control unit with rear driver side window regulator motor -J1016-
- 10-pin connector -T10ai- on Control unit with rear passenger side window regulator motor -J1017-



**1.88 Control unit with rear driver side window regulator motor -J1016- / Control unit with rear passenger side window regulator motor -J1017- (Cabriolet)**

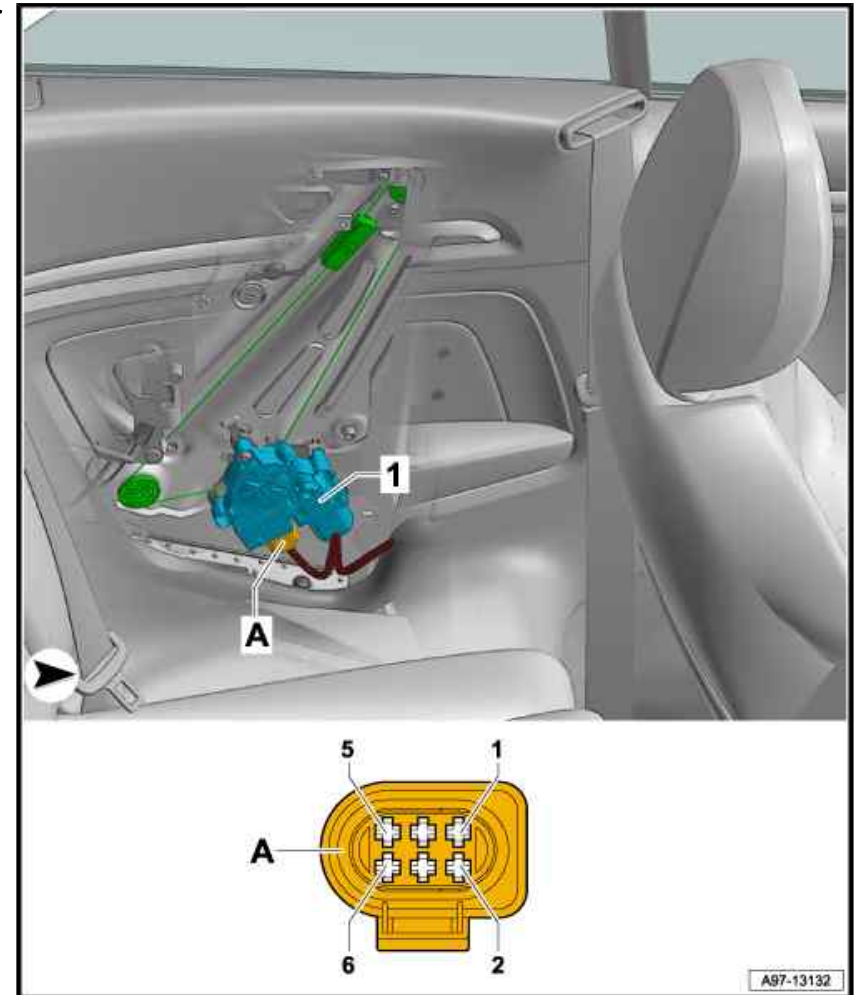
Fitting location:

On rear window regulator motor.

**1 - Control unit with rear driver side window regulator motor -J1016- / Control unit with rear passenger side window regulator motor -J1017-**

**A - 6-pin connector -T6at- / -T6au- , black**

- 6-pin connector -T6at- on Control unit with rear driver side window regulator motor -J1016-
- 6-pin connector -T6au- on Control unit with rear passenger side window regulator motor -J1017-



**1.89 Control unit for front left belt tensioner -J854- / control unit for front right belt tensioner -J855- (not for Cabriolet)**

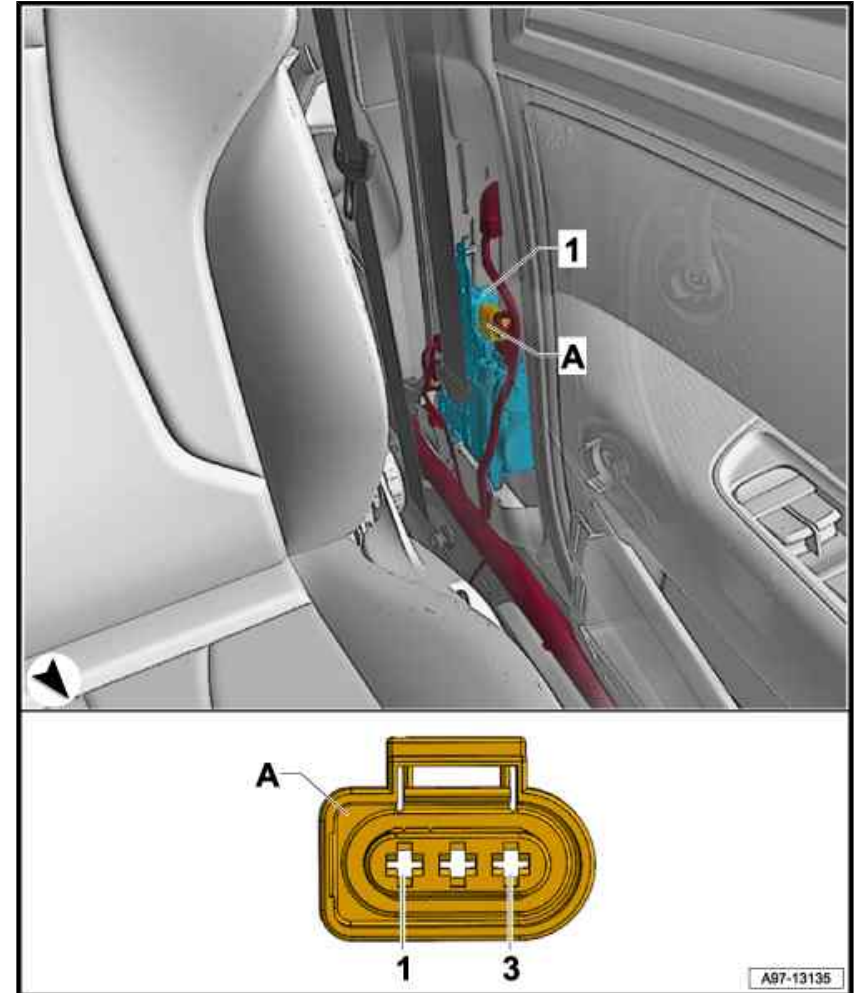
Fitting location:

On belt retractor in B-pillar

**1 - Control unit for front left belt tensioner -J854- / control unit for front right belt tensioner -J855-**

**A - 3-pin connector -T3o- / -T3p- , black**

- 3-pin connector -T3o- on control unit for front left belt tensioner -J854-
- 3-pin connector -T3p- on control unit for front right belt tensioner -J855-



**1.90 Control unit for reducing agent heater -J891-**

**1.90.1 Control unit for reducing agent heater -J891- , up to June 2018**

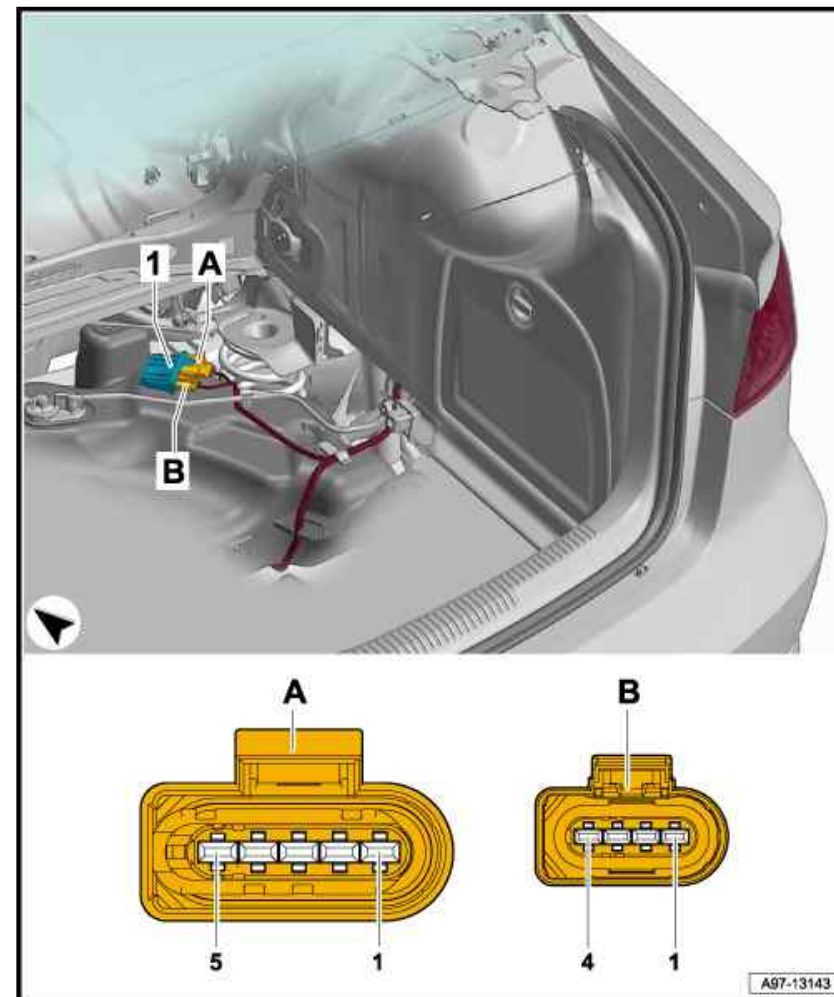
Fitting location:

On reducing agent tank.

1 - Control unit for reducing agent heater -J891-

A - 5-pin connector -T5m- , black

B - 4-pin connector -T4bl- , black



**1.90.2 Control unit for reducing agent heater -J891- , for rear axle with all-wheel drive (1X1), from July 2018**

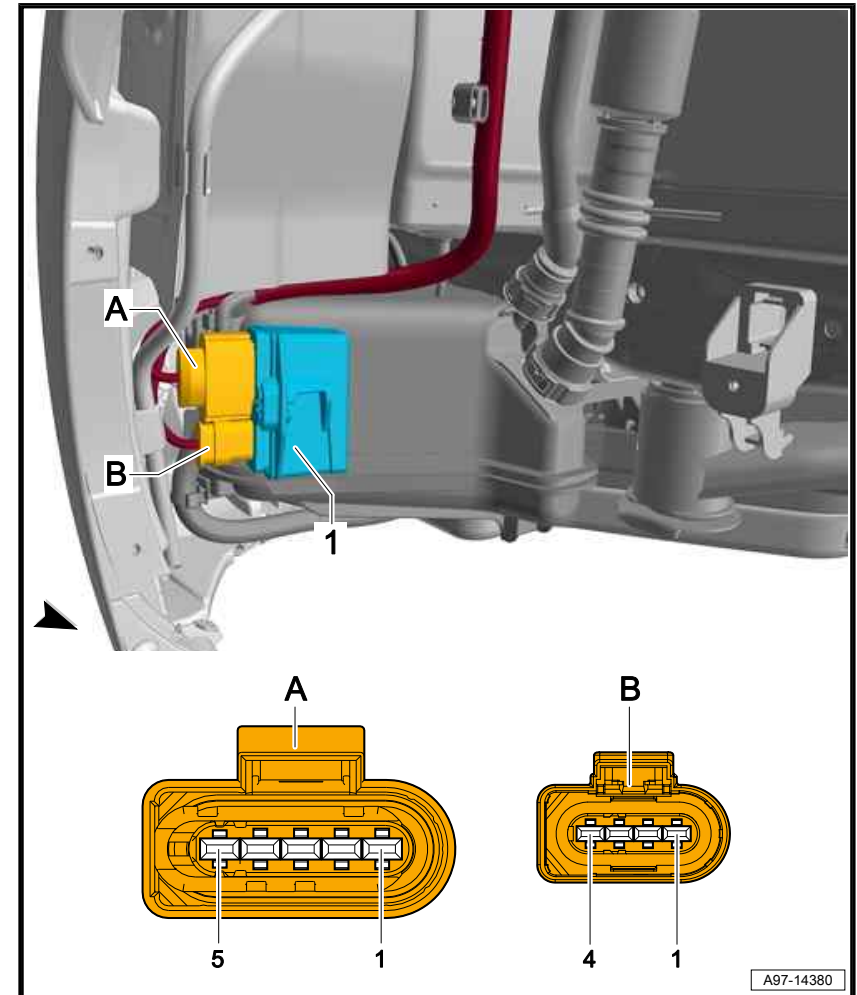
Fitting location:

On reducing agent tank, in rear right wheel housing.

1 - Control unit for reducing agent heater -J891-

A - 5-pin connector -T5m- , black

B - 4-pin connector -T4bl- , black



**1.90.3 Control unit for reducing agent heater -J891- , for 4-guide axle (0N4) and front-wheel drive (1X0), from July 2018**

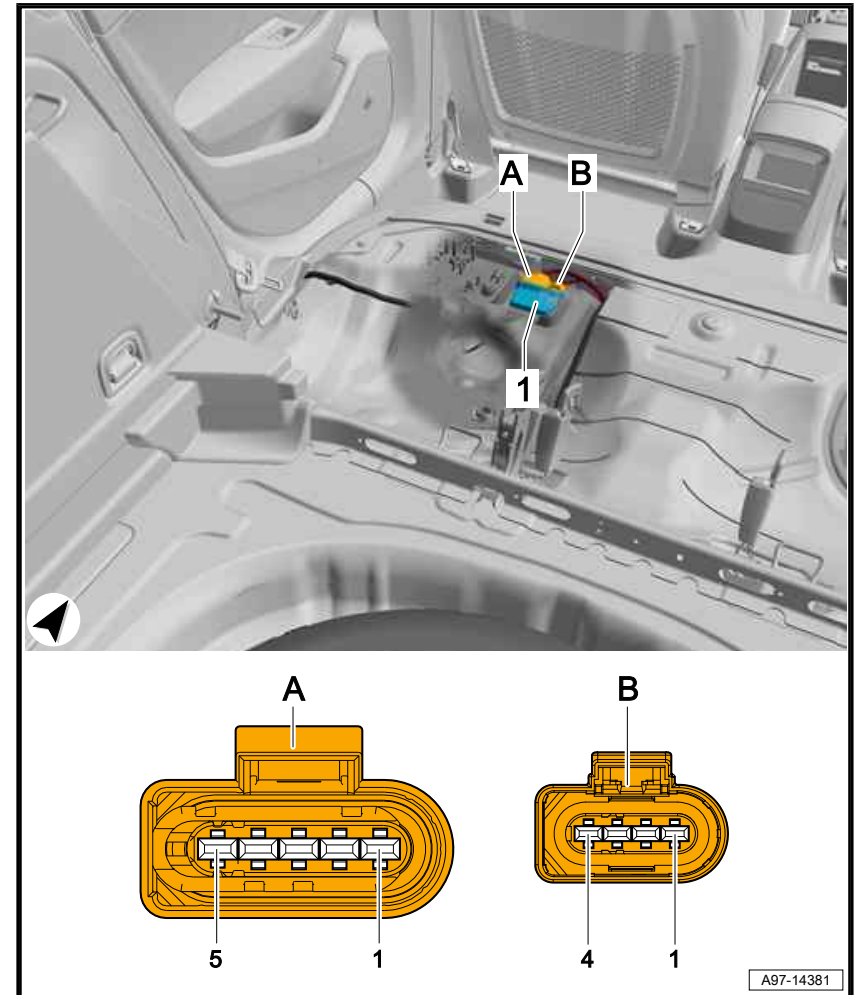
Fitting location:

On reducing agent tank.

1 - Control unit for reducing agent heater -J891-

A - 5-pin connector -T5m- , black

B - 4-pin connector -T4bl- , black



**1.90.4 Control unit for reducing agent heater -J891- , for rear axle standard (0N1), from July 2018**

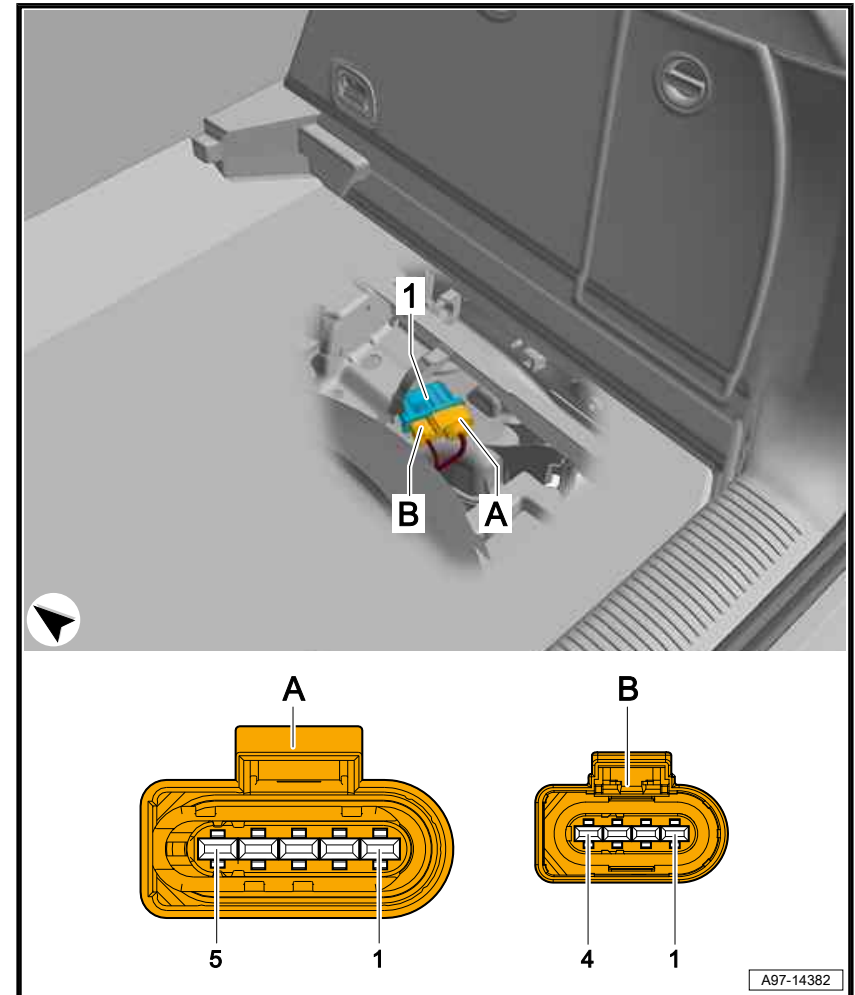
Fitting location:

On reducing agent tank.

1 - Control unit for reducing agent heater -J891-

A - 5-pin connector -T5m- , black

B - 4-pin connector -T4bl- , black



**1.91 Chip card reader control unit -J676-**

Fitting location:

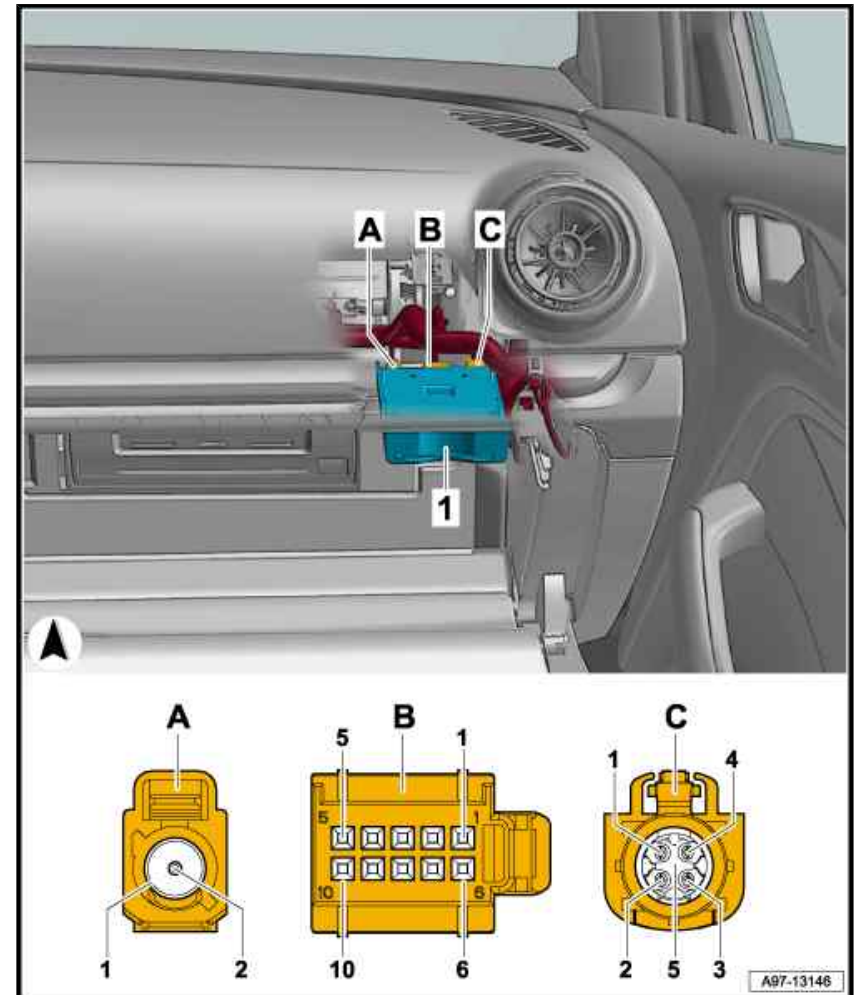
Behind glove compartment.

1 - Chip card reader control unit -J676-

A - 2-pin connector -T2fa- , yellow

B - 10-pin connector -T10z- , black

C - 4-pin connector -T4ac- , brown



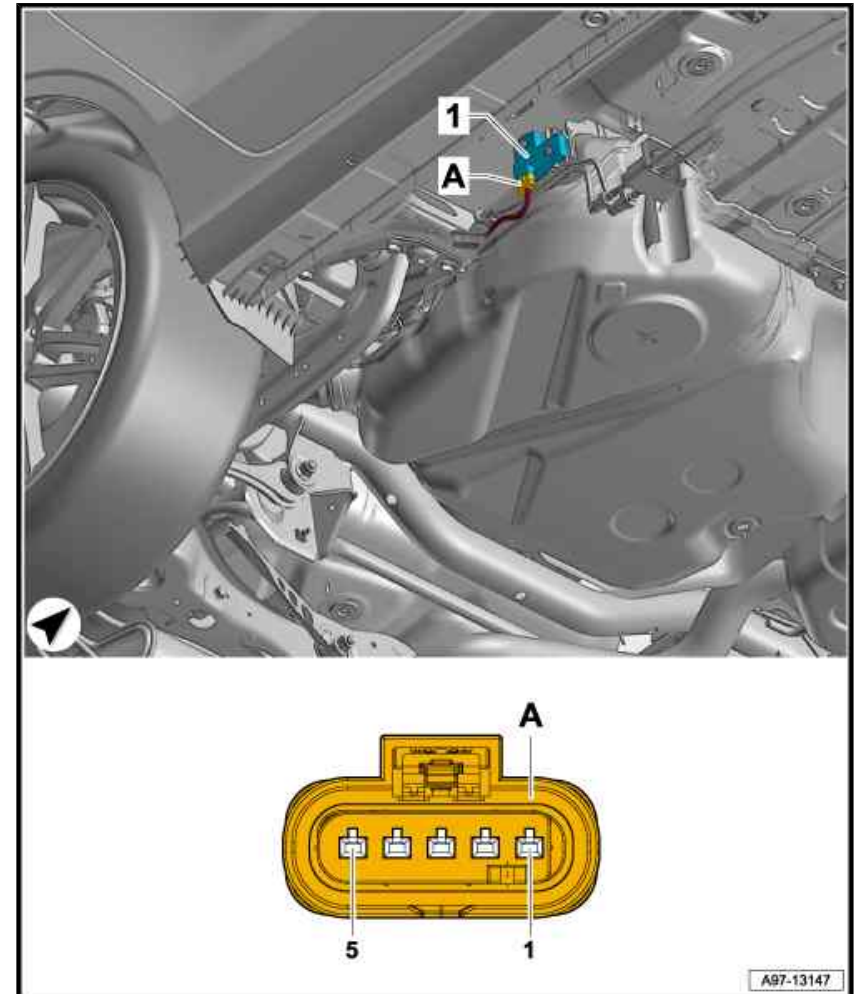
**1.92 Control unit for fuel tank leak detection -J909-**

Fitting location:

On fuel tank.

1 - Control unit for fuel tank leak detection -J909-

A - 5-pin connector -T5j- , black



**1.93 Seat occupied recognition control unit -J706-**

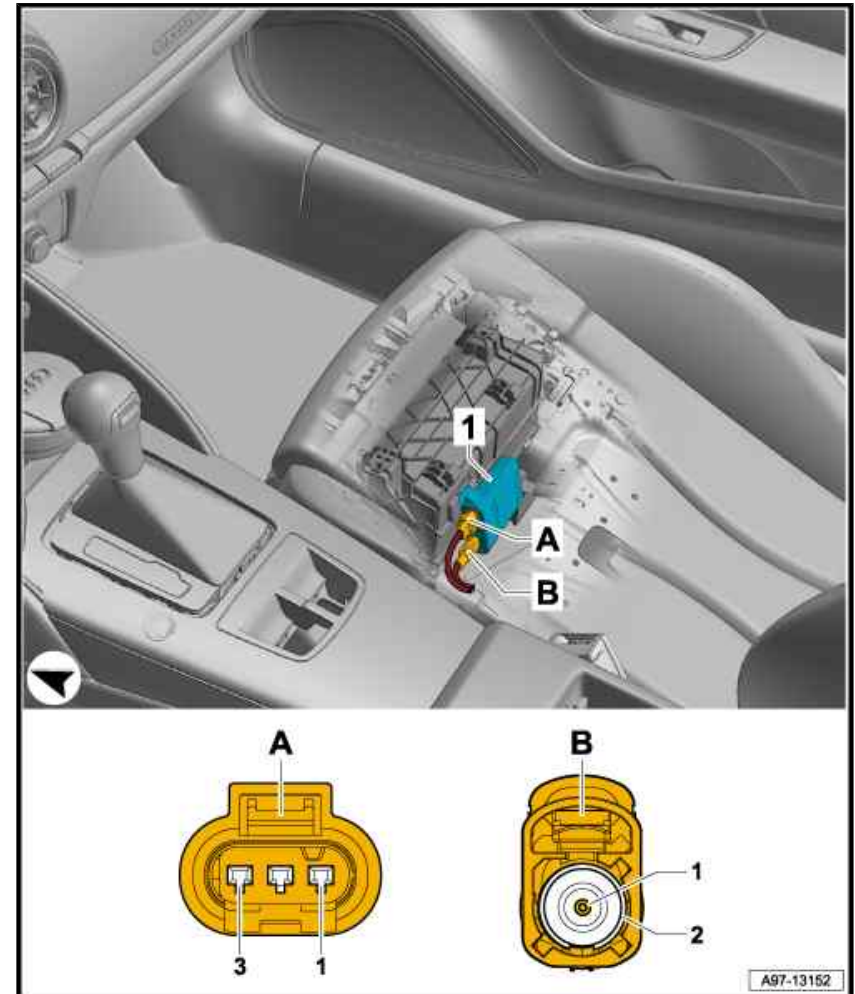
Fitting location:

At bottom of seat.

1 - Seat occupied recognition control unit -J706-

A - 3-pin connector -T3ab-

B - 2-pin connector -T2hi-



**1.94 Left neck heating control unit -J846- / right neck heating control unit -J847-**

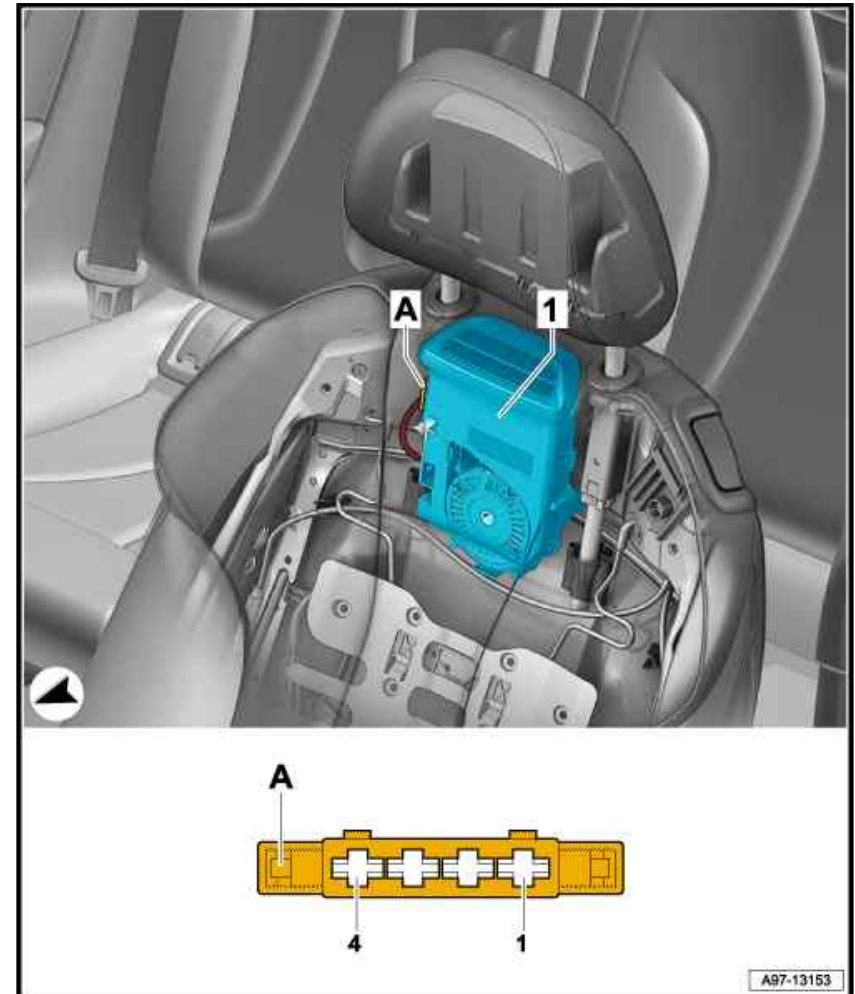
Fitting location:

In seat at top.

**1 - Left neck heating control unit -J846- / right neck heating control unit -J847-**

**A - 4-pin connector -T4be- / -T4bd- , black**

- 4-pin connector -T4be- on control unit for left neck heating -J846-
- 4-pin connector -T4bd- on control unit for right neck heating -J847-



## 1 Coupling stations

### 1.1 Overview of coupling stations (3-door models)



#### Note

- ◆ *Overview of coupling stations (4-door) ⇒ [page 6](#)*
- ◆ *Overview of coupling stations (5-door) ⇒ [page 10](#)*
- ◆ *Overview of coupling stations (Cabriolet) ⇒ [page 14](#)*

1 -

**Coupling station for engine pre-wiring**

- Connectors: -T10c- , -T14-
- Fitting location: ⇒ [page 24](#)
- Overview (4-door): ⇒ [item 1 \(page 7\)](#)
- Overview (5-door): ⇒ [item 1 \(page 11\)](#)
- Overview (Cabriolet): ⇒ [item 1 \(page 15\)](#)

**2 - Right coupling station for door wiring harness**

- Connector: -T27a-
- Fitting location: ⇒ [page 17](#)
- Overview (4-door): ⇒ [item 2 \(page 7\)](#)
- Overview (5-door): ⇒ [item 2 \(page 11\)](#)
- Overview (Cabriolet): ⇒ [item 2 \(page 15\)](#)

3 -

**Coupling station on right of A-pillar**

- Connector: -T10a-
- Only left-hand drive models
- Fitting location, left-hand drive models: ⇒ [page 29](#)
- Fitting location for right-hand drive models: ⇒ [item 12 \(page 4\)](#)
- Overview (4-door): ⇒ [item 3 \(page 7\)](#)
- Overview (5-door): ⇒ [item 3 \(page 11\)](#)
- Overview (Cabriolet): ⇒ [item 3 \(page 15\)](#)

4 -

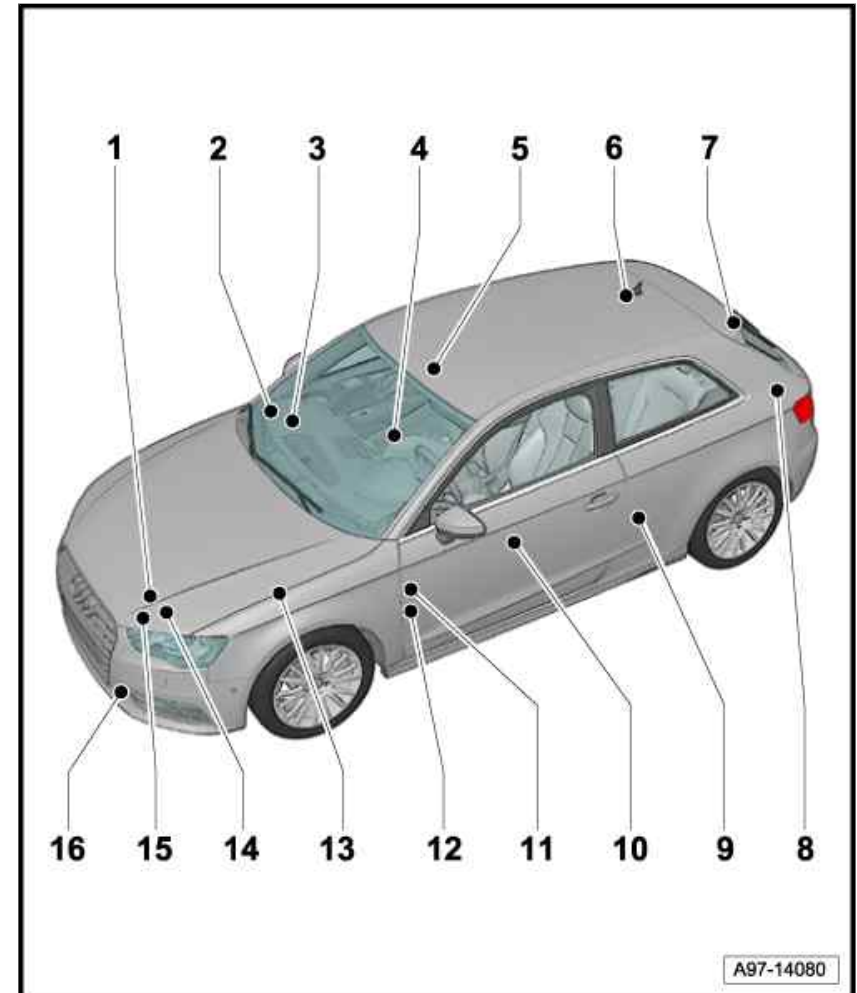
**Seat wiring coupling station, right**

- Connectors: -T3h- , -T5a- , -T6j- , -T10e-
- Fitting location: ⇒ [page 18](#)
- Overview (4-door): ⇒ [item 4 \(page 7\)](#)
- Overview (5-door): ⇒ [item 4 \(page 11\)](#)
- Overview (Cabriolet): ⇒ [item 4 \(page 15\)](#)

5 -

**Coupling station for roof wiring harness**

- Connector: -T6ab-
- Fitting location: ⇒ [page 31](#)
- Overview (4-door): ⇒ [item 5 \(page 7\)](#)
- Overview (5-door): ⇒ [item 5 \(page 11\)](#)



**6 -****Rear right coupling station, rear lid**

- Connectors: -T2l- , -T2k- , -T2ah- , -T2es-
- Fitting location: ⇒ [page 19](#)
- Overview (5-door): ⇒ [item 8 \(page 12\)](#)

**7 -****Coupling station for rear bumper**

- Connectors: -T8z- , -T10f-
- Fitting location: ⇒ [page 20](#)
- Overview (4-door): ⇒ [item 8 \(page 8\)](#)
- Overview (5-door): ⇒ [item 10 \(page 12\)](#)
- Overview (Cabriolet): ⇒ [item 6 \(page 15\)](#)

**8 -****Coupling station, rear left side of rear lid**

- Connectors: -T2m- , -T17f-
- Fitting location: ⇒ [page 21](#)
- Overview (5-door): ⇒ [item 12 \(page 12\)](#)

**9 - Coupling station all-wheel drive**

- Connector: -T6c-
- Fitting location: ⇒ [page 40](#)
- Overview (4-door): ⇒ [item 10 \(page 8\)](#)
- Overview (5-door): ⇒ [item 13 \(page 12\)](#)
- Overview (Cabriolet): ⇒ [item 8 \(page 15\)](#)

**10 -****Seat wiring coupling station, left**

- Connectors: -T3g- , -T5- , -T6i- , -T10d-
- Fitting location: ⇒ [page 22](#)
- Overview (4-door): ⇒ [item 12 \(page 8\)](#)
- Overview (5-door): ⇒ [item 15 \(page 12\)](#)
- Overview (Cabriolet): ⇒ [item 9 \(page 15\)](#)

## 11 -

**Door wiring harness coupling station, left**

- Connector: -T27-
- Fitting location: ⇒ [page 23](#)
- Overview (4-door): ⇒ [item 13 \(page 8\)](#)
- Overview (5-door): ⇒ [item 16 \(page 13\)](#)
- Overview (Cabriolet): ⇒ [item 10 \(page 16\)](#)

## 12 -

**Coupling station on left A-pillar**

- Connectors, left-hand drive: -T17- , -T17a- , -T17b- , -T17c- , -T17d-
- Connectors, right-hand drive: -T10a- , -T17- , -T17a- , -T17b- , -T17c- , -T17d-
- Fitting location, left-hand drive models: ⇒ [page 27](#)
- Fitting location, right-hand drive models: ⇒ [page 28](#)
- Overview (4-door): ⇒ [item 14 \(page 8\)](#)
- Overview (5-door): ⇒ [item 17 \(page 13\)](#)
- Overview (Cabriolet): ⇒ [item 11 \(page 16\)](#)

13 - **Coupling station, electric steering**

- Connector: -T10b-
- Fitting location: ⇒ [page 37](#)
- Overview (4-door): ⇒ [item 15 \(page 8\)](#)
- Overview (5-door): ⇒ [item 18 \(page 13\)](#)
- Overview (Cabriolet): ⇒ [item 12 \(page 16\)](#)

## 14 -

**Coupling station, alternator**

- Connectors: -T4f- , -T8- , -T10p-
- Fitting location: ⇒ [page 26](#)
- Overview (4-door): ⇒ [item 16 \(page 8\)](#)
- Overview (5-door): ⇒ [item 19 \(page 13\)](#)
- Overview (Cabriolet): ⇒ [item 13 \(page 16\)](#)

## 15 -

**Coupling station for radiator fan**

- Connector: -T4g-
- Fitting location: ⇒ [page 30](#)
- Overview (4-door): ⇒ [item 17 \(page 8\)](#)
- Overview (5-door): ⇒ [item 20 \(page 13\)](#)
- Overview (Cabriolet): ⇒ [item 14 \(page 16\)](#)

16 -

**Coupling station in front bumper**

- Connectors: -T6h- , -T8v- , -T14a-
- Fitting location: ⇒ [page 25](#)
- Overview (4-door): ⇒ [item 18 \(page 9\)](#)
- Overview (5-door): ⇒ [item 21 \(page 13\)](#)
- Overview (Cabriolet): ⇒ [item 15 \(page 16\)](#)

## 1.2 Overview of coupling stations (4-door models)



### Note

- ◆ *Overview of coupling stations (3-door) ⇒ [page 1](#)*
- ◆ *Overview of coupling stations (5-door) ⇒ [page 10](#)*
- ◆ *Overview of coupling stations (Cabriolet) ⇒ [page 14](#)*

### 1 - Coupling station for engine pre-wiring

- Connectors: -T10c- , -T14-
- Fitting location: [⇒ page 24](#)

### 2 - Right coupling station for door wiring harness

- Connector: -T27a-
- Fitting location: [⇒ page 17](#)

### 3 - Coupling station on right of A-pillar

- Connector: -T10a-
- Only left-hand drive models
- Fitting location, left-hand drive models: [⇒ page 29](#)
- Fitting location for right-hand drive models: [⇒ item 14 \(page 8\)](#)

### 4 - Seat wiring coupling station, right

- Connectors: -T3h- , -T5a- , -T6j- , -T10e-
- Fitting location: [⇒ page 18](#)

### 5 - Coupling station for roof wiring harness

- Connector: -T6ab-
- Fitting location: [⇒ page 31](#)

### 6 - Rear right coupling station for door wiring harness

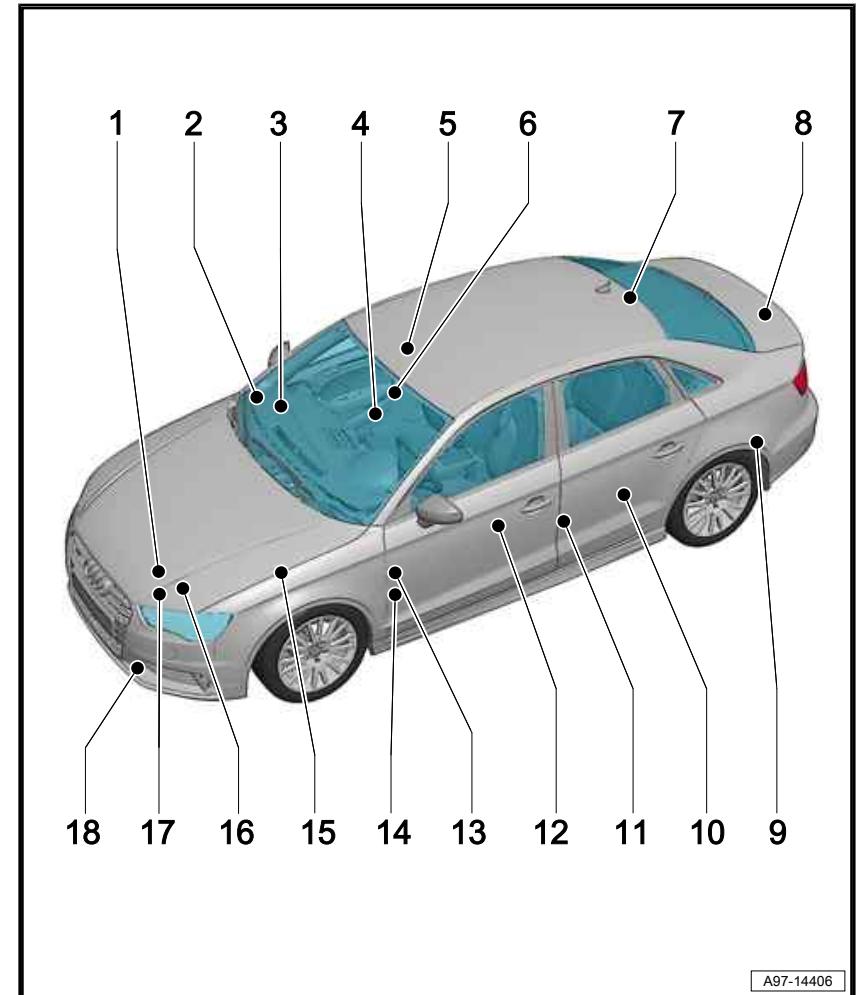
- Connector: -T27c-
- Fitting location: [⇒ page 33](#)

### 7 - Coupling station, reducing agent metering system, rear right

- Up to June 2018
- For models from July 2018: [⇒ item 7 \(page 7\)](#)
- Connector: -T6av- , -T10ab-
- Fitting location: [⇒ page 41](#)
- Overview (5-door): [⇒ item 7 \(page 11\)](#)

### 7 - Coupling station, reducing agent metering system, rear right

- For rear axle standard (0N1) or rear axle with all-wheel drive (1X1), from July 2018
- For 4-guide axle (0N4) and front-wheel drive (1X0) [⇒ item 9 \(page 8\)](#)
- Connector: -T6av- , -T10ab-
- Fitting location: [⇒ page 42](#)
- Overview (5-door): [⇒ item 7 \(page 12\)](#)



**8 - Coupling station for rear bumper**

- Connectors: -T8z- , -T10f-
- Fitting location: ⇒ [page 20](#)

**9 - Coupling station, reducing agent metering system, rear left**

- For 4-guide axle (0N4) and front-wheel drive (1X0), from July 2018
- Connector: -T6av- , -T10ab-
- Fitting location: ⇒ [page 43](#)
- Overview (5-door): ⇒ [item 11 \(page 12\)](#)

**10 - Coupling station all-wheel drive**

- Connector: -T6c-
- Fitting location: ⇒ [page 40](#)

**11 - Rear left coupling station for door wiring harness**

- Connector: -T27b-
- Fitting location: ⇒ [page 32](#)

**12 - Seat wiring coupling station, left**

- Connectors: -T3g- , -T5- , -T6i- , -T10d-
- Fitting location: ⇒ [page 22](#)

**13 - Door wiring harness coupling station, left**

- Connector: -T27-
- Fitting location: ⇒ [page 23](#)

**14 - Coupling station on left A-pillar**

- Connectors, left-hand drive: -T17- , -T17a- , -T17b- , -T17c- , -T17d-
- Connectors, right-hand drive: -T10a- , -T17- , -T17a- , -T17b- , -T17c- , -T17d-
- Fitting location, left-hand drive models: ⇒ [page 27](#)
- Fitting location, right-hand drive models: ⇒ [page 28](#)

**15 - Coupling station, electric steering**

- Connector: -T10b-
- Fitting location: ⇒ [page 37](#)

**16 - Coupling station, alternator**

- Connectors: -T4f- , -T8- , -T10p-
- Fitting location: ⇒ [page 26](#)

**17 - Coupling station for radiator fan**

- Connector: -T4g-
- Fitting location: ⇒ [page 30](#)

18 - Coupling station in front bumper

- Connectors: -T6h- , -T8v- , -T14a-
- Fitting location: [⇒ page 25](#)

### 1.3 Overview of coupling stations (5-door models)



#### Note

- ◆ *Overview of coupling stations (3-door) ⇒ [page 1](#)*
- ◆ *Overview of coupling stations (4-door) ⇒ [page 6](#)*
- ◆ *Overview of coupling stations (Cabriolet) ⇒ [page 14](#)*

**1 - Coupling station for engine pre-wiring, without hybrid drive**

- Connectors: -T10c- , -T14-
- Fitting location: ⇒ [page 24](#)

**1 - Coupling station for engine pre-wiring, with hybrid drive**

- Connectors: -T14- , -T14d- , -T2gb-
- Fitting location: ⇒ [page 39](#)

**2 - Right coupling station for door wiring harness**

- Connector: -T27a-
- Fitting location: ⇒ [page 17](#)

**3 - Coupling station on right of A-pillar**

- Connector: -T10a-
- Only left-hand drive models
- Fitting location, left-hand drive models: ⇒ [page 29](#)
- Fitting location for right-hand drive models: ⇒ [item 17 \(page 13\)](#)

**4 - Seat wiring coupling station, right**

- Connectors: -T3h- , -T5a- , -T6j- , -T10e-
- Fitting location: ⇒ [page 18](#)

**5 - Coupling station for roof wiring harness**

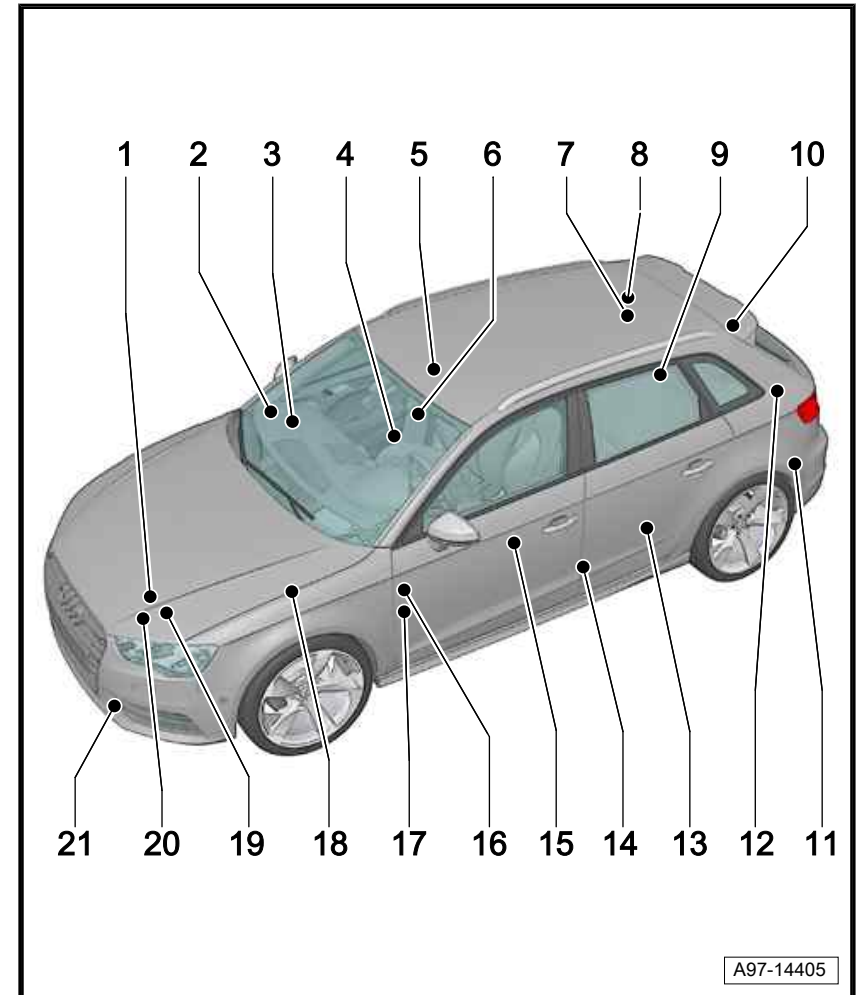
- Connector: -T6ab-
- Fitting location: ⇒ [page 31](#)

**6 - Rear right coupling station for door wiring harness**

- Connector: -T27c-
- Overview (4-door): ⇒ [item 6 \(page 7\)](#)
- Fitting location: ⇒ [page 33](#)

**7 - Coupling station, reducing agent metering system, rear right**

- Up to June 2018
- For models from July 2018: ⇒ [item 7 \(page 12\)](#)
- Connector: -T6av- , -T10ab-
- Fitting location: ⇒ [page 41](#)



**7 - Coupling station, reducing agent metering system, rear right**

- For rear axle standard (0N1) or rear axle with all-wheel drive (1X1), from July 2018
- For 4-guide axle (0N4) and front-wheel drive (1X0) ⇒ [item 11 \(page 12\)](#)
- Connector: -T6av- , -T10ab-
- Fitting location: ⇒ [page 42](#)

**8 - Rear right coupling station, rear lid**

- Connectors: -T2l- , -T2k- , -T2ah- , -T2es-
- Fitting location: ⇒ [page 19](#)

**9 - Coupling station tank pre-cabling**

- Connector: -T10av-
- Fitting location: in wiring section, interior, rear right, near tank filler pipe.
- from November 2018, for CNG models

**10 - Coupling station for rear bumper**

- Connectors: -T8z- , -T10f-
- Fitting location: ⇒ [page 20](#)

**11 - Coupling station, reducing agent metering system, rear left**

- For 4-guide axle (0N4) and front-wheel drive (1X0), from July 2018
- Connector: -T6av- , -T10ab-
- Fitting location: ⇒ [page 43](#)

**12 - Coupling station, rear left side of rear lid**

- Connectors: -T2m- , -T17f-
- Fitting location: ⇒ [page 21](#)

**13 - Coupling station all-wheel drive**

- Connector: -T6c-
- Fitting location: ⇒ [page 40](#)

**14 -**

**Rear left coupling station for door wiring harness**

- Connector: -T27b-
- Overview (4-door): ⇒ [item 11 \(page 8\)](#)
- Fitting location: ⇒ [page 32](#)

**15 - Seat wiring coupling station, left**

- Connectors: -T3g- , -T5- , -T6i- , -T10d-
- Fitting location: ⇒ [page 22](#)

**16 - Door wiring harness coupling station, left**

- Connector: -T27-
- Fitting location: ⇒ [page 23](#)

**17 - Coupling station on left A-pillar**

- Connectors, left-hand drive: -T17- , -T17a- , -T17b- , -T17c- , -T17d-
- Connectors, right-hand drive: -T10a- , -T17- , -T17a- , -T17b- , -T17c- , -T17d-
- Fitting location, left-hand drive models: ⇒ [page 27](#)
- Fitting location, right-hand drive models: ⇒ [page 28](#)

**18 - Coupling station, electric steering**

- Connector: -T10b-
- Fitting location: ⇒ [page 37](#)

**19 - Coupling station, alternator**

- Connectors: -T4f- , -T8- , -T10p-
- Fitting location: ⇒ [page 26](#)

**20 - Coupling station for radiator fan**

- Connector: -T4g-
- Fitting location: ⇒ [page 30](#)

**21 - Coupling station in front bumper**

- Connectors: -T6h- , -T8v- , -T14a-
- Fitting location: ⇒ [page 25](#)

## 1.4 Overview of coupling stations (Cabriolet)



### Note

- ◆ *Overview of coupling stations (3-door) ⇒ [page 1](#)*
- ◆ *Overview of coupling stations (4-door) ⇒ [page 6](#)*
- ◆ *Overview of coupling stations (5-door) ⇒ [page 10](#)*

### 1 - Coupling station for engine pre-wiring

- Connectors: -T10c- , -T14-
- Fitting location: [⇒ page 24](#)

### 2 - Right coupling station for door wiring harness

- Connector: -T27a-
- Fitting location: [⇒ page 17](#)

### 3 - Coupling station on right of A-pillar

- Connector: -T10a-
- Only left-hand drive models
- Fitting location, left-hand drive models: [⇒ page 29](#)
- Fitting location for right-hand drive models: [⇒ item 11 \(page 16\)](#)

### 4 - Seat wiring coupling station, right

- Connectors: -T3h- , -T5a- , -T6j- , -T10e- , -T10r-
- Fitting location: [⇒ page 34](#)

### 5 - Coupling station on right of convertible roof box lid

- Connector: -T2fs-
- Fitting location: [⇒ page 38](#)

### 6 - Coupling station for rear bumper

- Connectors: -T8z- , -T10f-
- Fitting location: [⇒ page 20](#)

### 7 - Coupling station, rear left side of luggage compartment lid

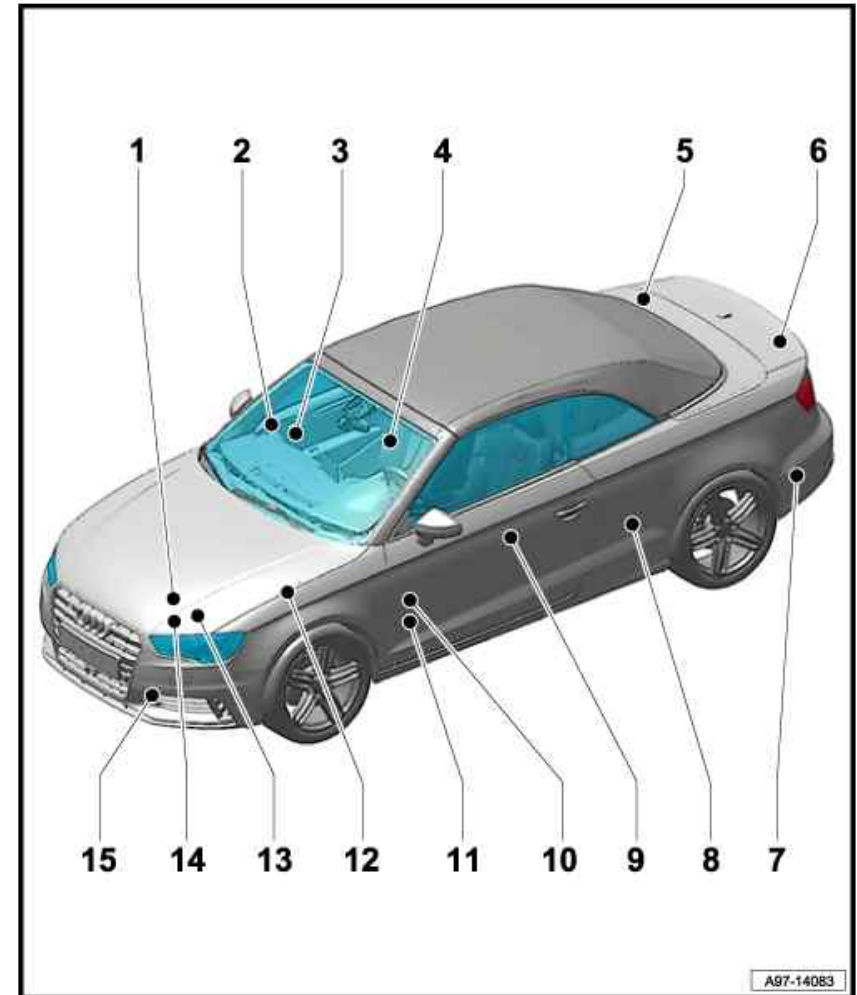
- Connectors: -T12i- , -T12j- , -T2fq-
- Fitting location: [⇒ page 35](#)

### 8 - Coupling station all-wheel drive

- Connector: -T6c-
- Fitting location: [⇒ page 40](#)

### 9 - Seat wiring coupling station, left

- Connectors: -T3g- , -T5- , -T6i- , -T10d- , -T10q-
- Fitting location: [⇒ page 36](#)



**10 - Door wiring harness coupling station, left**

- Connector: -T27-
- Fitting location: ⇒ [page 23](#)

**11 - Coupling station on left A-pillar**

- Connectors, left-hand drive: -T17- , -T17a- , -T17b- , -T17c- , -T17d-
- Connectors, right-hand drive: -T10a- , -T17- , -T17a- , -T17b- , -T17c- , -T17d-
- Fitting location, left-hand drive models: ⇒ [page 27](#)
- Fitting location, right-hand drive models: ⇒ [page 28](#)

**12 - Coupling station, electric steering**

- Connector: -T10b-
- Fitting location: ⇒ [page 37](#)

**13 - Coupling station, alternator**

- Connectors: -T4f- , -T8- , -T10p-
- Fitting location: ⇒ [page 26](#)

**14 - Coupling station for radiator fan**

- Connector: -T4g-
- Fitting location: ⇒ [page 30](#)

**15 - Coupling station in front bumper**

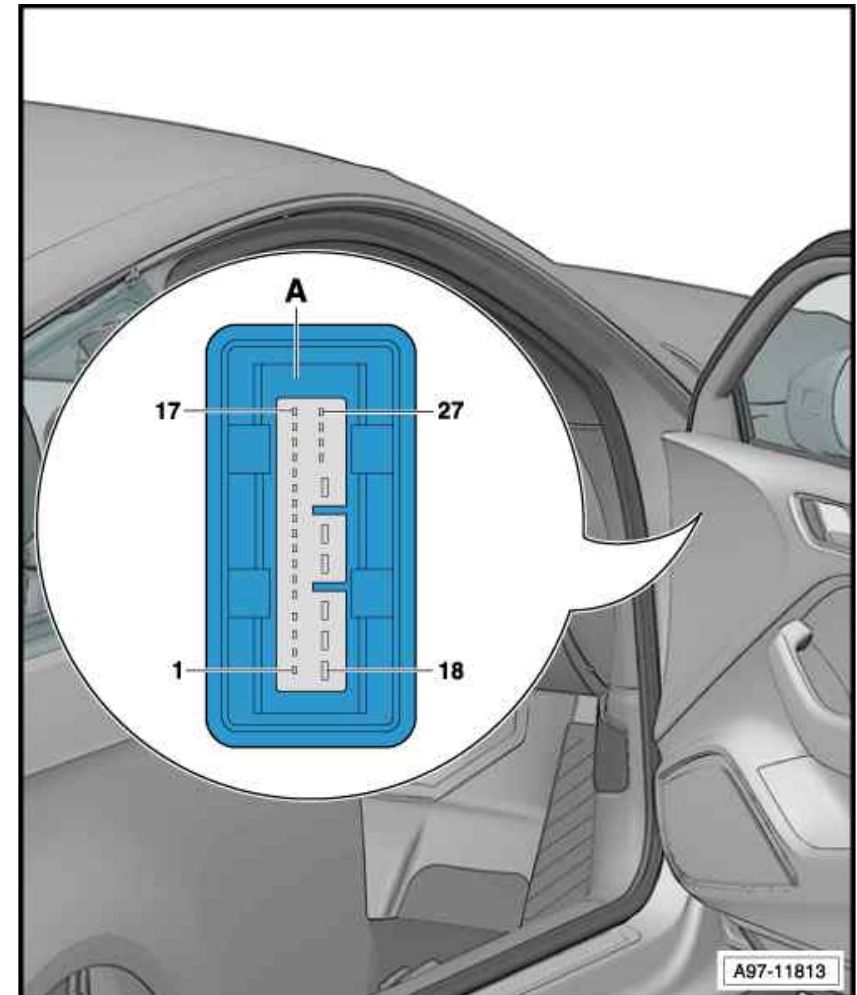
- Connectors: -T6h- , -T8v- , -T14a-
- Fitting location: ⇒ [page 25](#)

**1.5 Right coupling station for door wiring harness**

Fitting location:

on right A-pillar.

A - 27-pin connector -T27a- , black



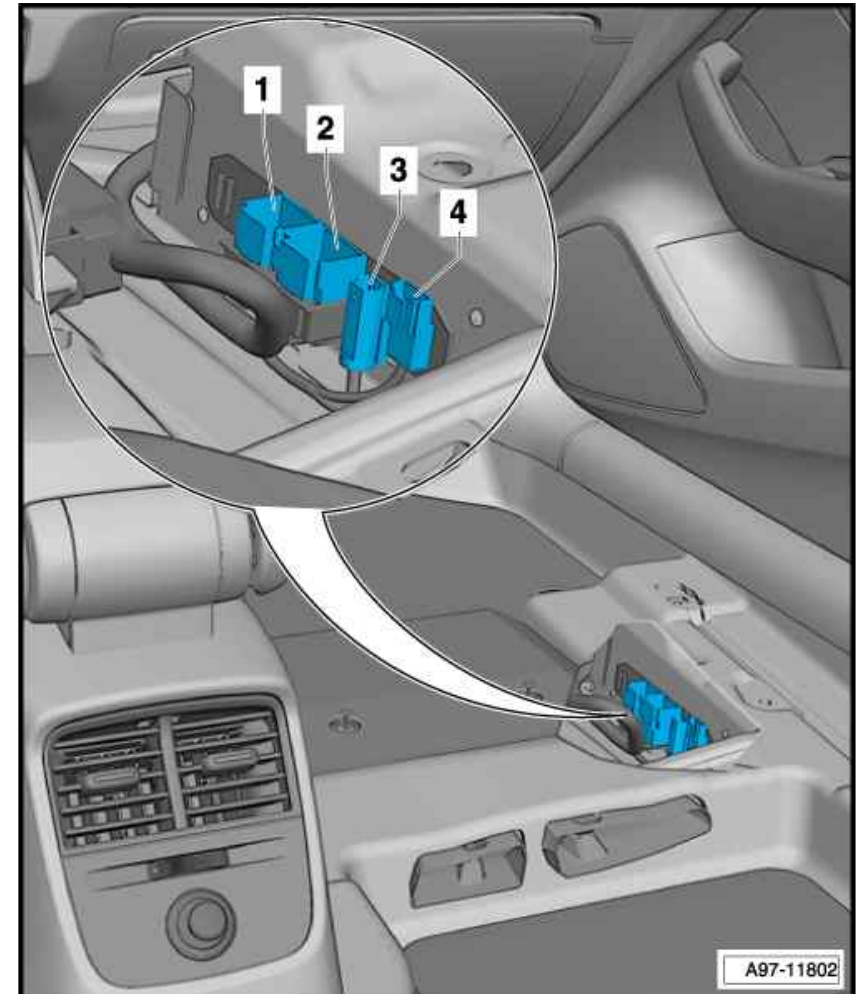
A97-11813

**1.6 Seat wiring coupling station, right**

Fitting location:

Under the seat.

- 1 - 10-pin connector -T10e- , red
- 2 - 6-pin connector -T6j- , green
- 3 - 3-pin connector -T3h- , yellow
- 4 - 5-pin connector -T5a- , black

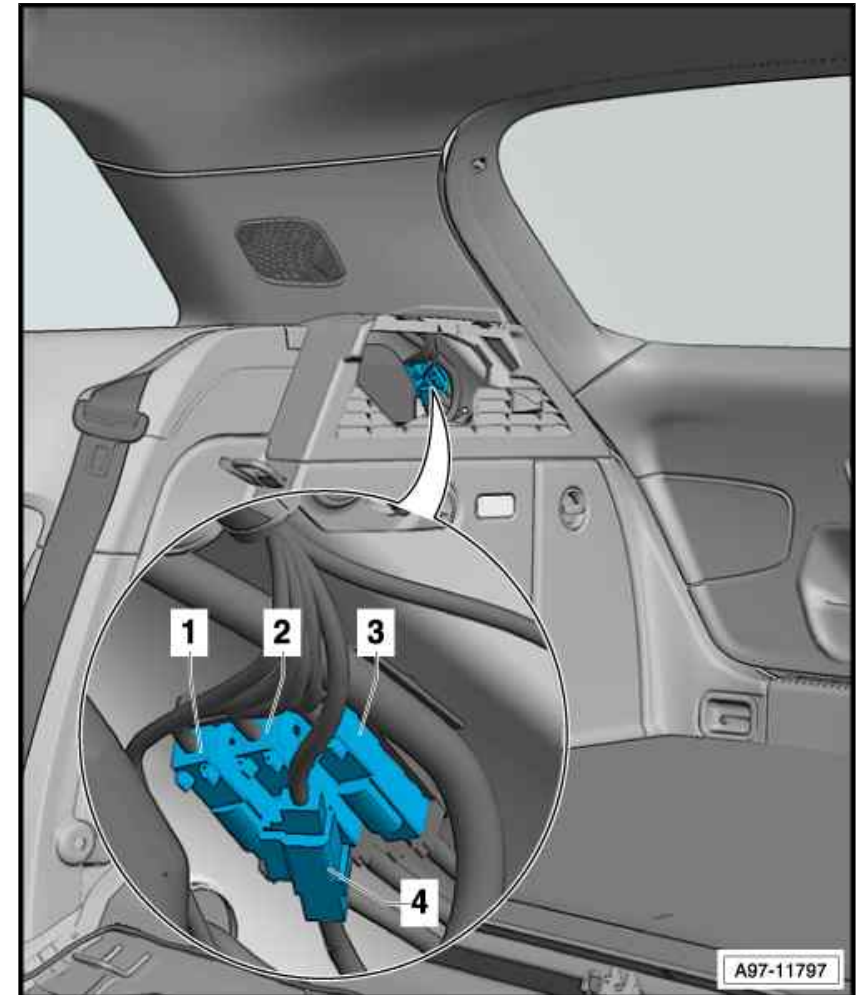


**1.7 Rear right coupling station, rear lid**

Fitting location:

On rear right pillar.

- 1 - 2-pin connector -T2l- , white
- 2 - 2-pin connector -T2k-
- 3 - 2-pin connector -T2ah- , black
- 4 - 2-pin connector -T2es- , black



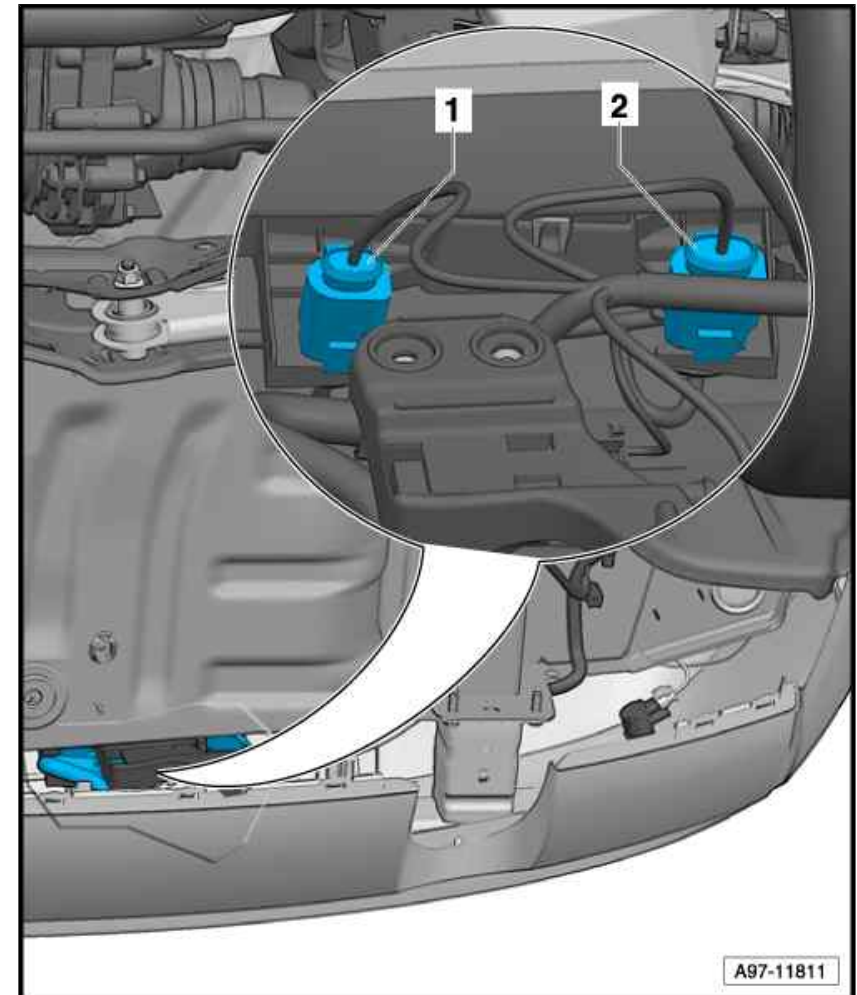
**1.8 Coupling station for rear bumper**

Fitting location:

in bumper.

1 - 8-pin connector -T8z- , black

2 - 10-pin connector -T10f- , black



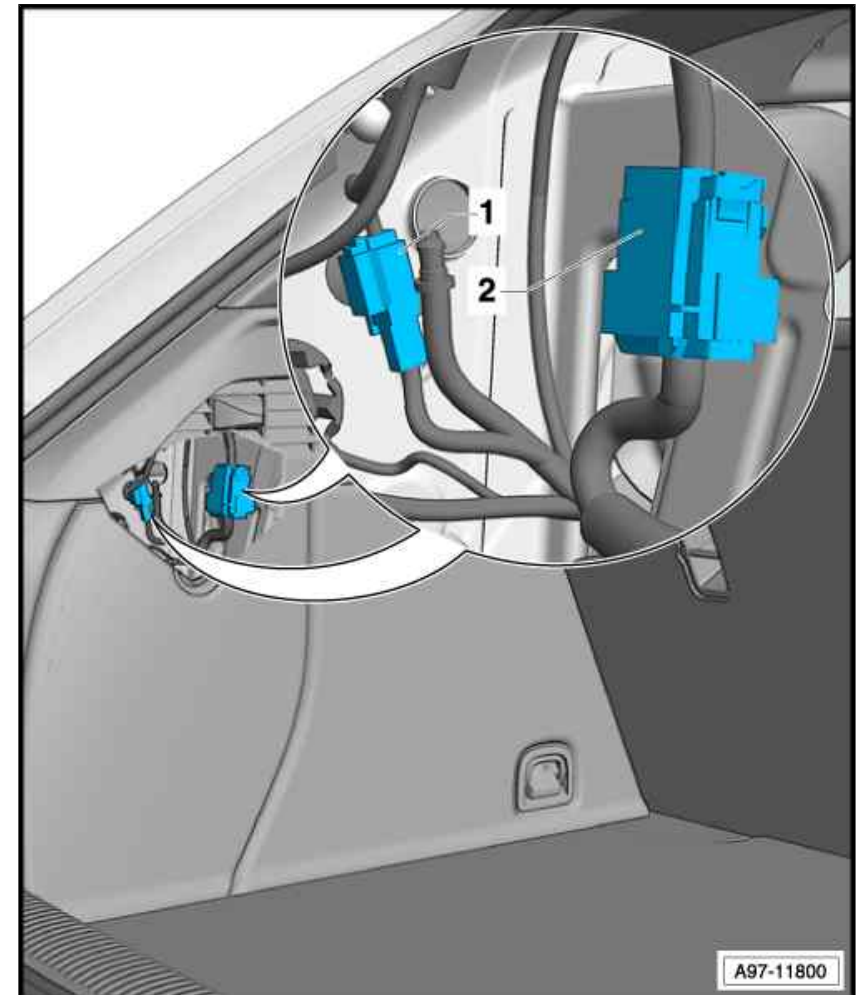
**1.9 Coupling station, rear left side of rear lid**

Fitting location:

On rear left pillar.

1 - 2-pin connector -T2m- , black

2 - 17-pin connector -T17f- , black

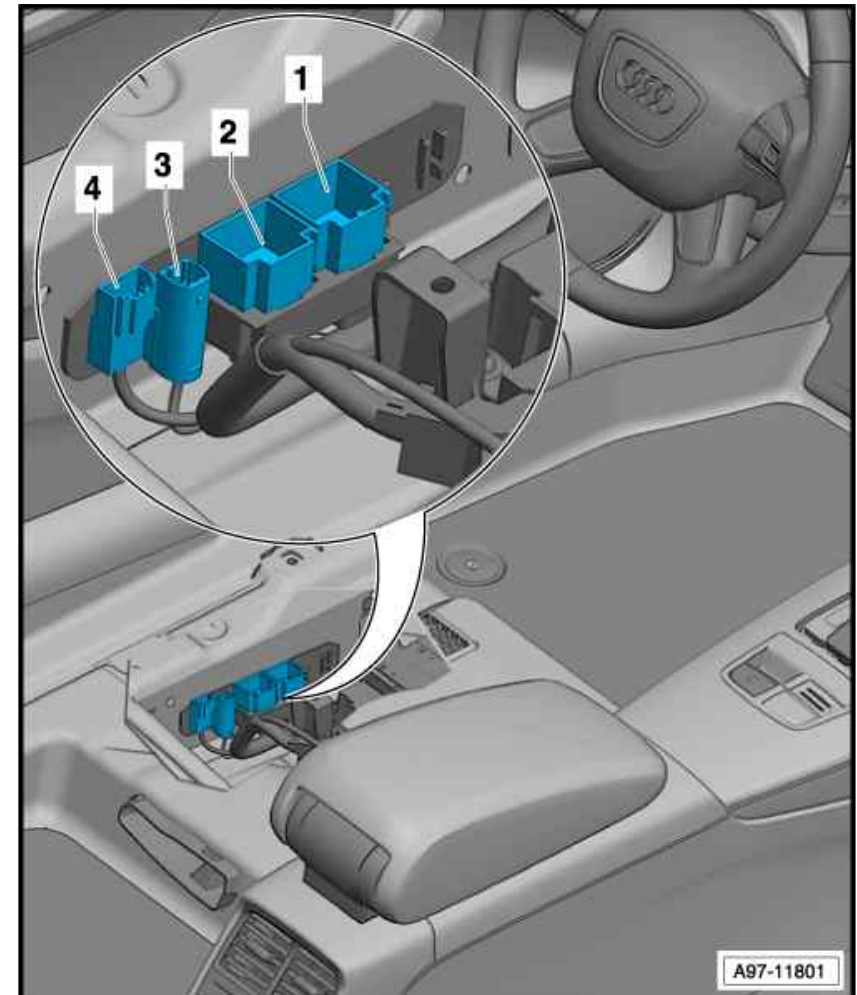


**1.10 Seat wiring coupling station, left**

Fitting location:

Under the seat.

- 1 - 10-pin connector -T10d- , red
- 2 - 6-pin connector -T6i- , green
- 3 - 3-pin connector -T3g- , yellow
- 4 - 5-pin connector -T5- , black

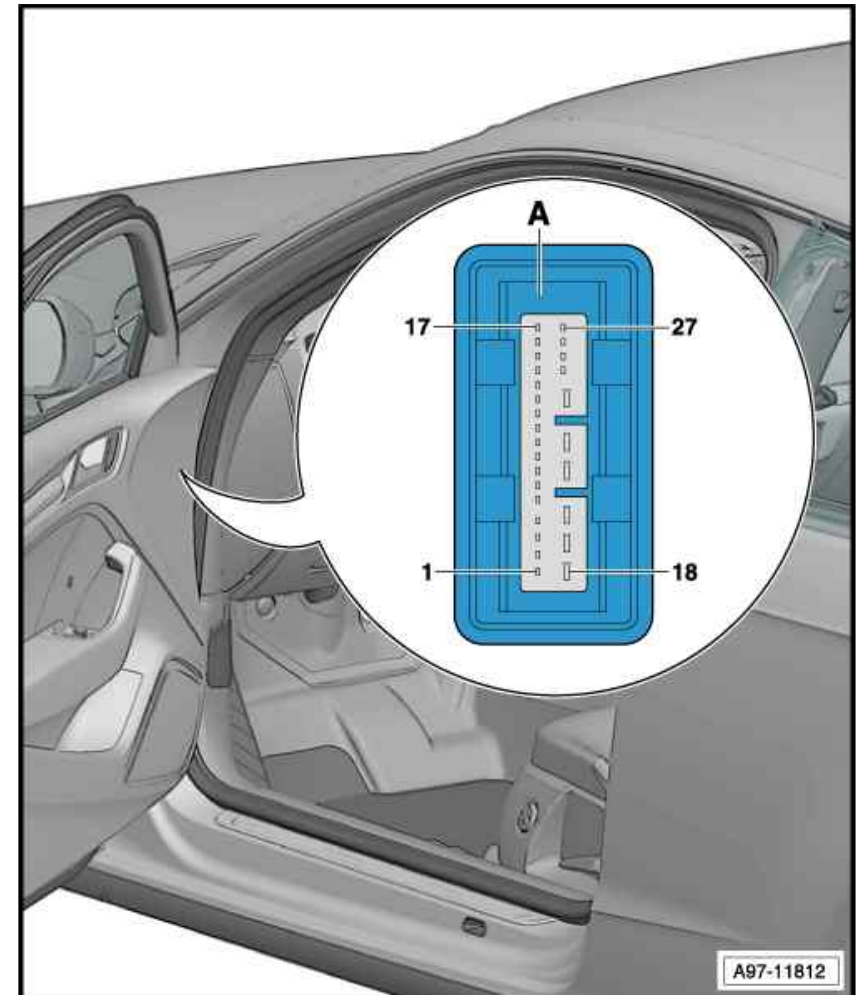


**1.11 Door wiring harness coupling station, left**

Fitting location:

On left A-pillar.

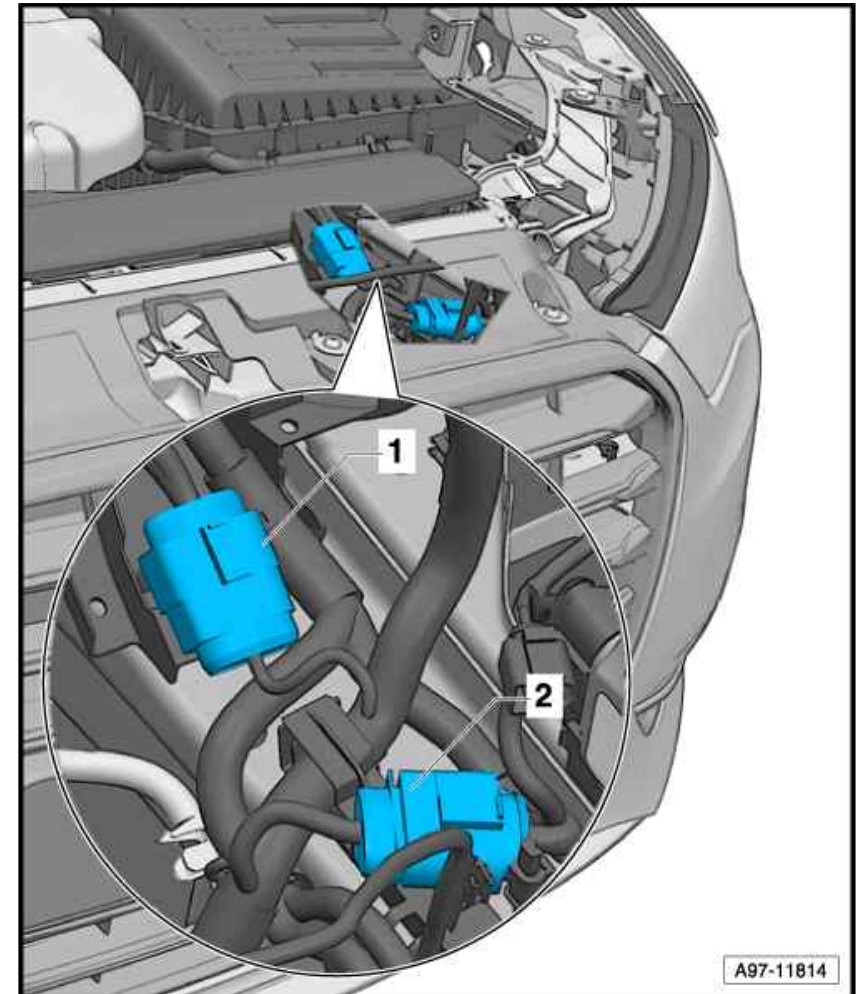
A - 27-pin connector -T27- , black



**1.12 Coupling station for engine pre-wiring****Fitting location:**

in engine compartment, front left.

- 1 - 10-pin connector -T10c- , black
  - Only models with diesel engine
- 2 - 14-pin connector -T14- , grey



**1.13 Coupling station in front bumper**

Fitting location:

in bumper.

**1 - 6-pin connector -T6h- , black**

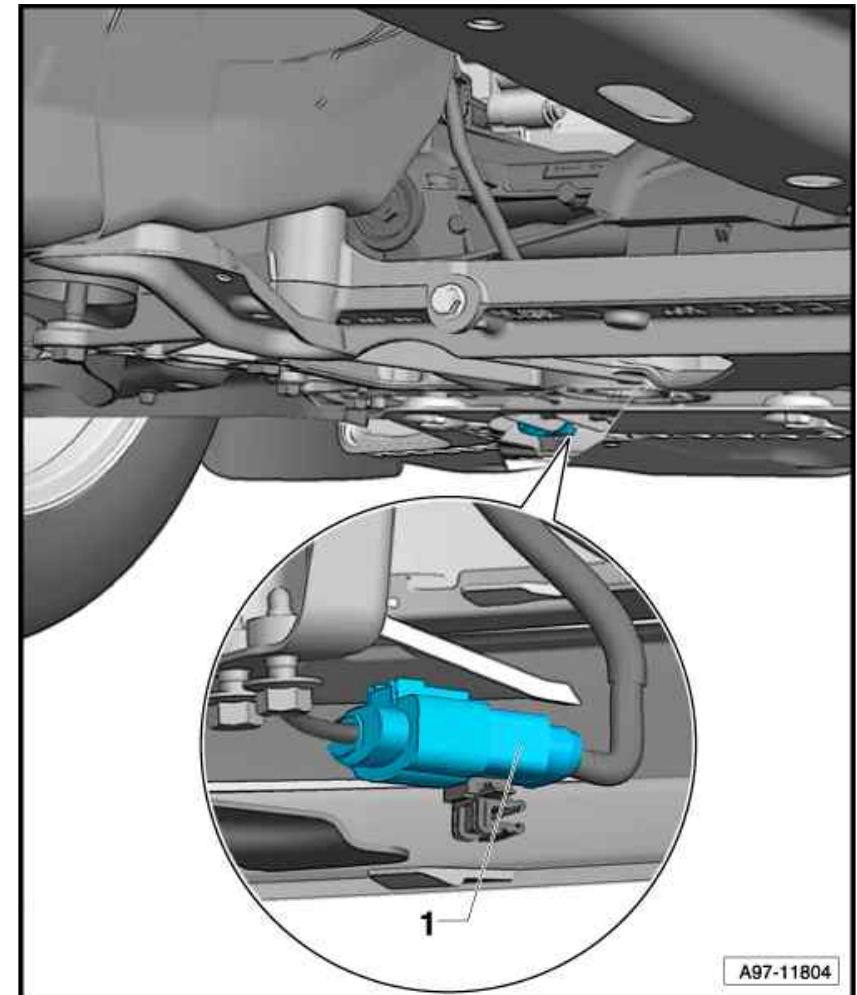
- only for models without parking aid, with pedestrian protection

**1 - 8-pin connector -T8v- , black**

- only for models with parking aid, without pedestrian protection

**1 - 14-pin connector -T14a- , black**

- only for models with parking aid and pedestrian protection

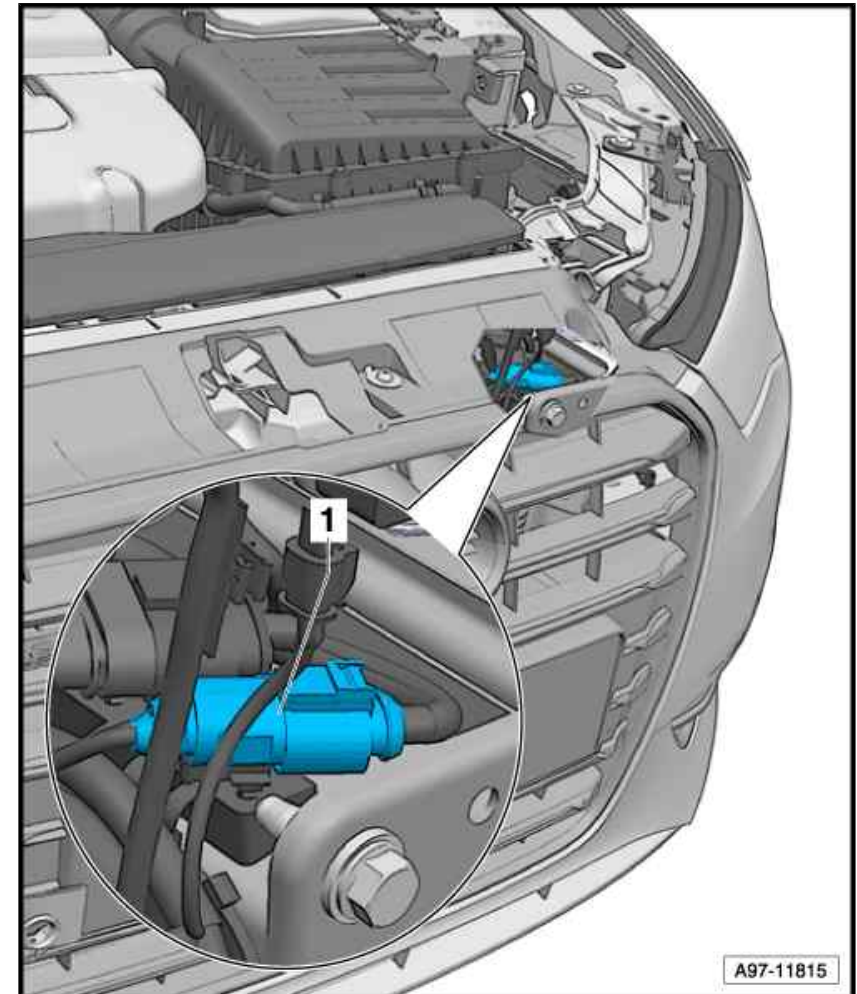


**1.14 Coupling station, alternator**

Fitting location:

in engine compartment, front left.

- 1 - 8-pin connector -T8- , black
  - According to equipment
- 1 - 4-pin connector -T4f- , black
  - According to equipment
- 1 - 10-pin connector -T10p- , black
  - According to equipment

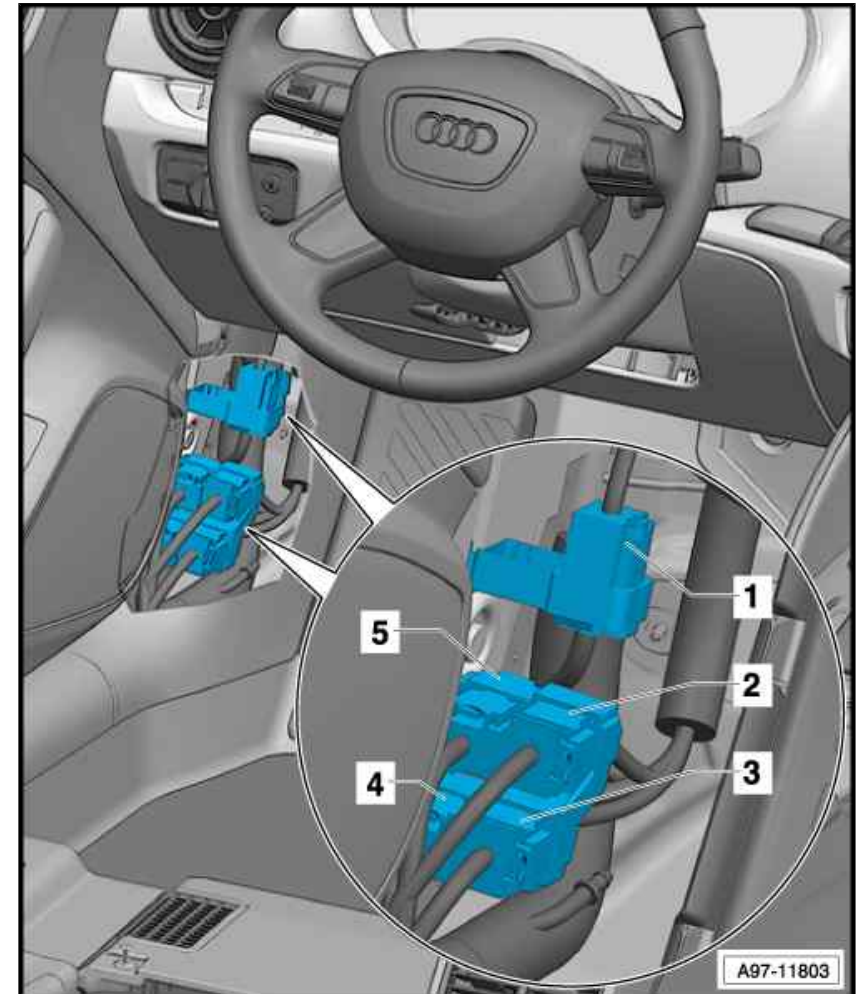


**1.15 Coupling station on left A-pillar, left-hand drive model**

Fitting location:

On left A-pillar.

- 1 - 17-pin connector -T17d- , green
- 2 - 17-pin connector -T17a- , black
- 3 - 17-pin connector -T17c- , red
- 4 - 17-pin connector -T17b- , brown
- 5 - 17-pin connector -T17- , blue

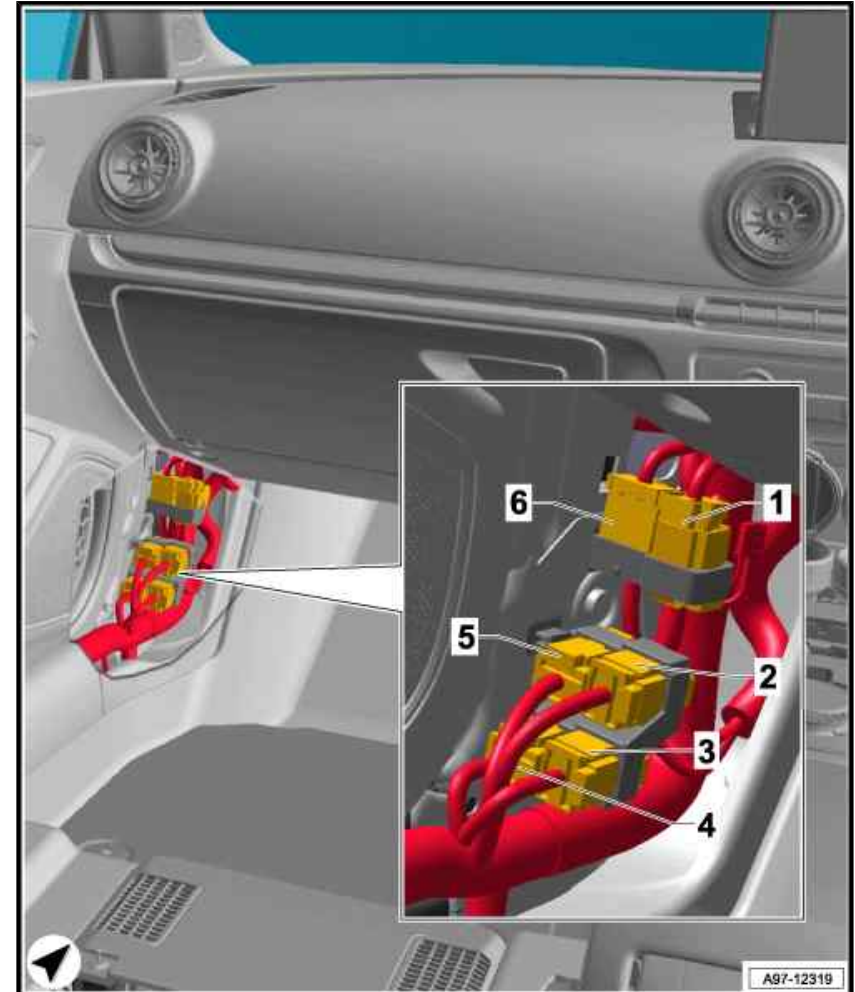


**1.16 Coupling station on left A-pillar, right-hand drive model**

Fitting location:

On left A-pillar.

- 1 - 17-pin connector -T17d- , green
- 2 - 17-pin connector -T17a- , black
- 3 - 17-pin connector -T17c- , red
- 4 - 17-pin connector -T17b- , brown
- 5 - 17-pin connector -T17- , blue
- 6 - 10-pin connector -T10a- , white

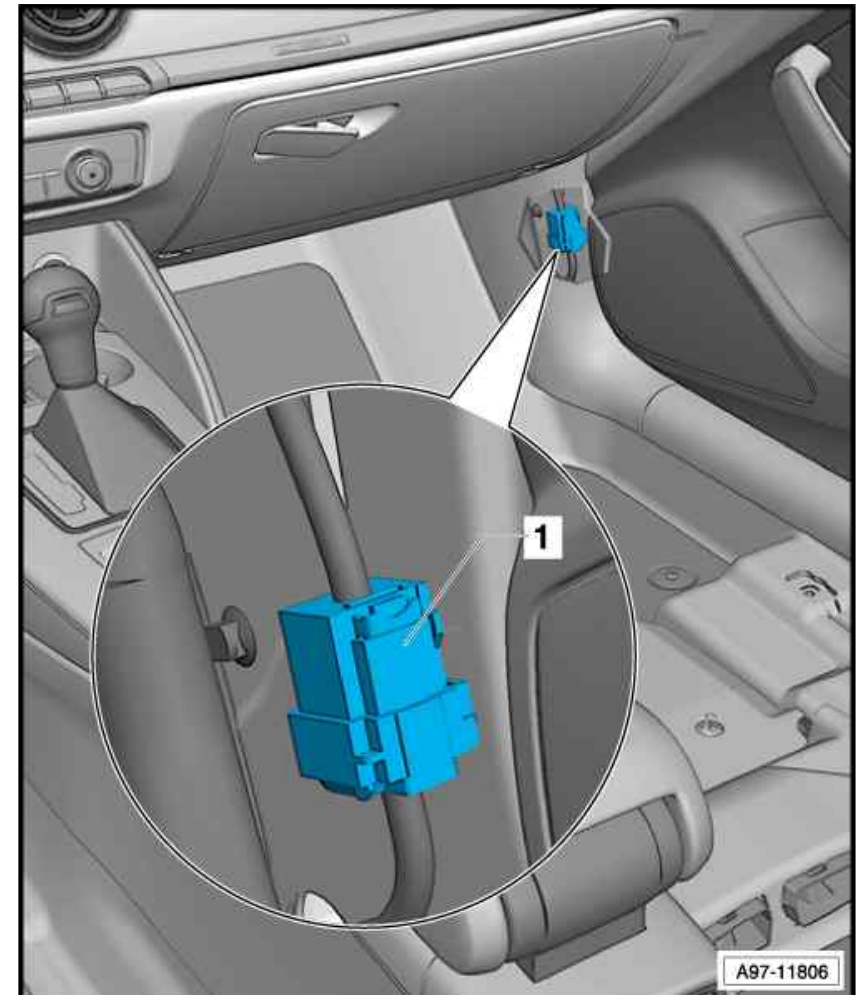


**1.17 Coupling station on right A-pillar, left-hand drive model**

Fitting location:

on right A-pillar.

1 - 10-pin connector -T10a- , white

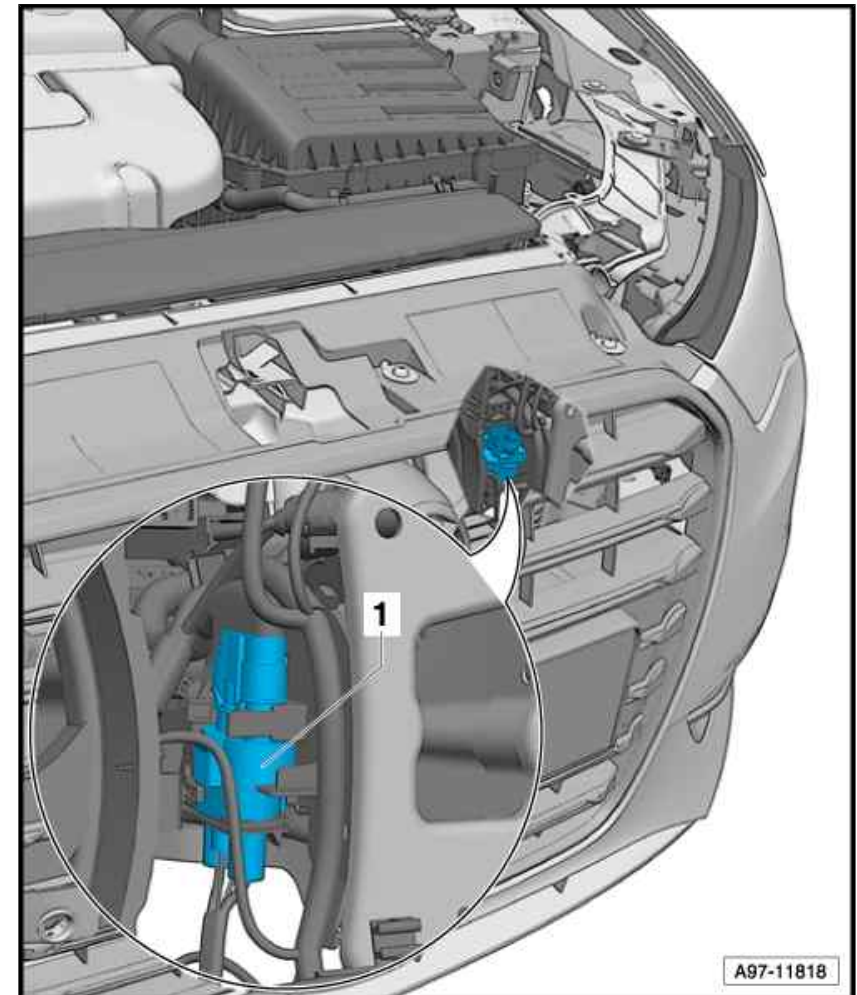


**1.18 Coupling station for radiator fan**

Fitting location:

On left in engine compartment.

1 - 4-pin connector -T4g- , black

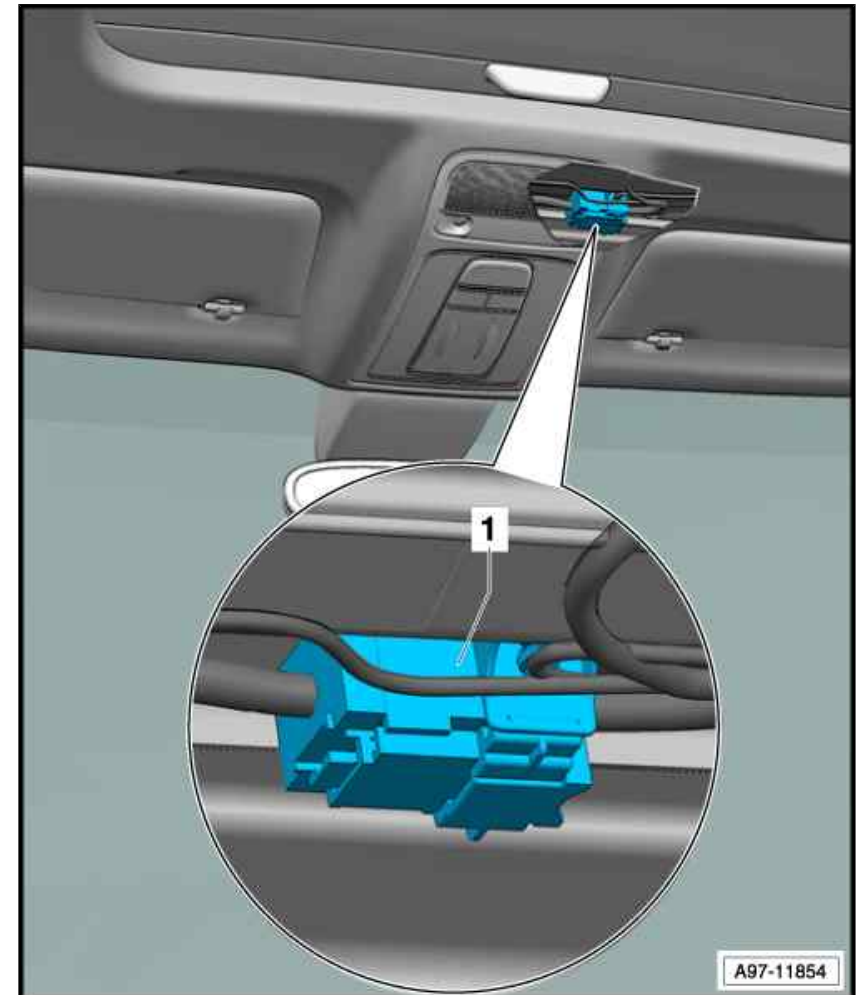


**1.19 Coupling station for roof wiring harness**

Fitting location:

near front roof module.

1 - 6-pin connector -T6ab- , black

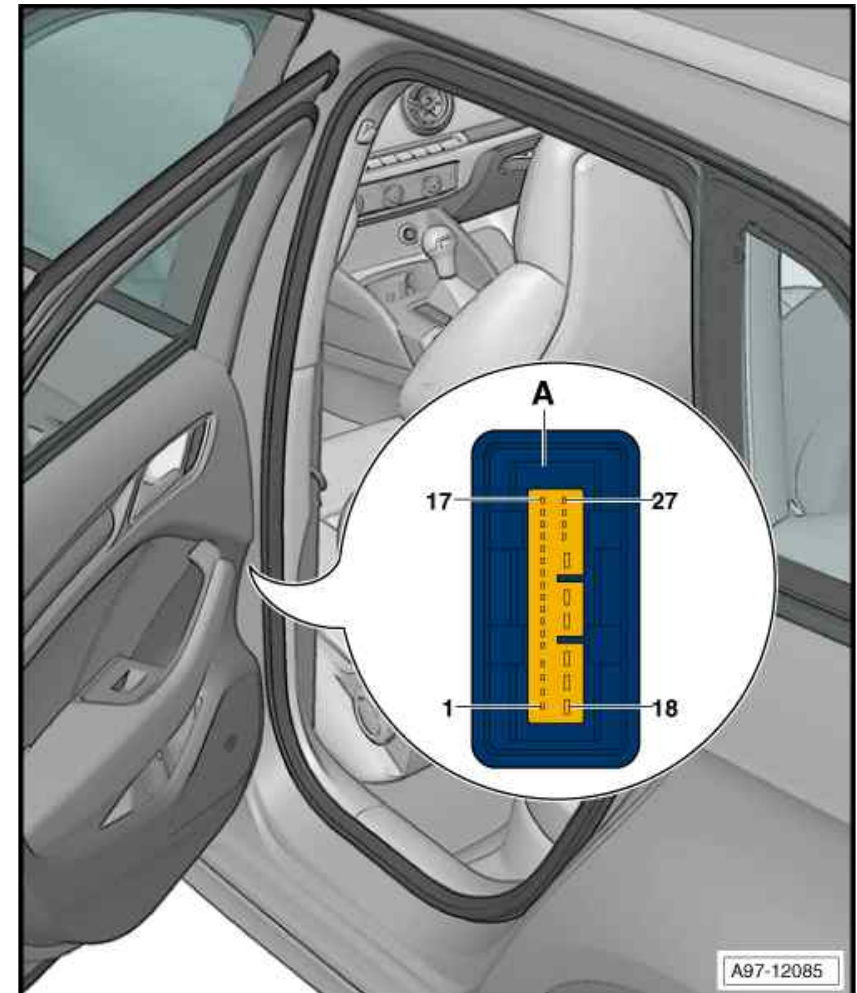


**1.20 Rear left coupling station for door wiring harness**

Fitting location:

on left B-pillar.

A - 27-pin connector -T27b- , black



**1.21 Rear right coupling station for door wiring harness**

Fitting location:

on right B-pillar.

A - 27-pin connector -T27c- , black

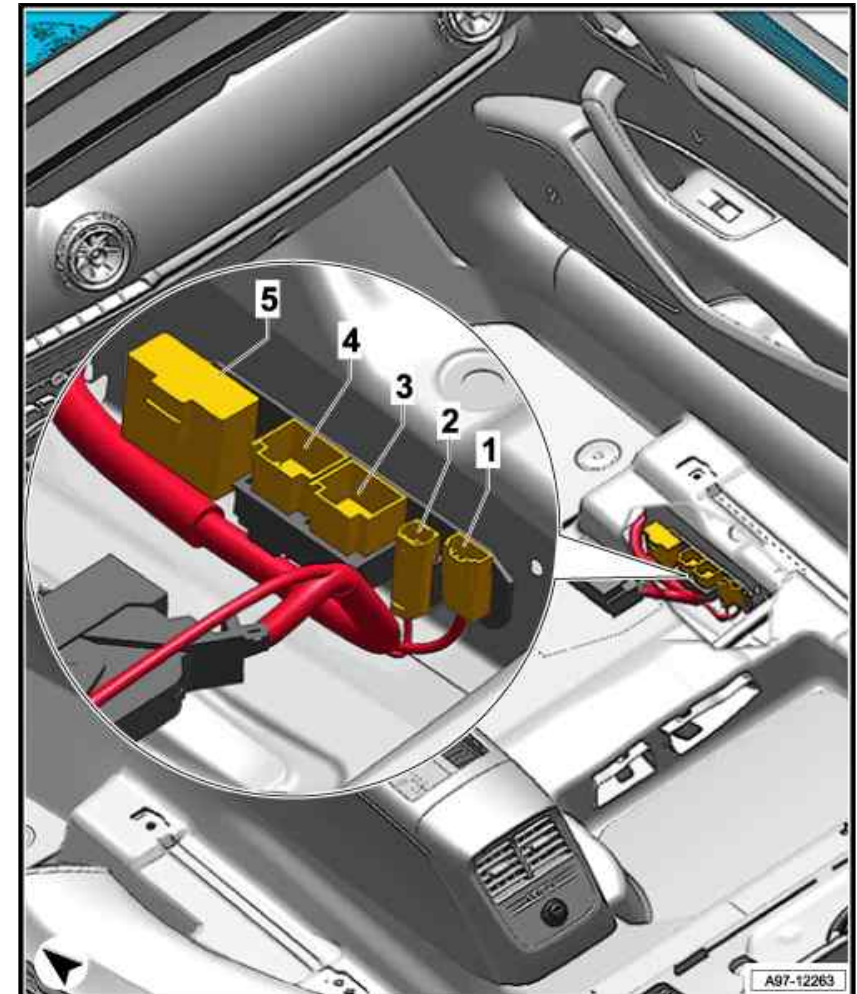


**1.22 Seat wiring coupling station, right**

Fitting location:

Under the seat.

- 1 - 5-pin connector -T5a- , black
- 2 - 3-pin connector -T3h- , yellow
- 3 - 6-pin connector -T6j- , green
- 4 - 10-pin connector -T10e- , red
- 5 - 10-pin connector -T10r- , black



**1.23 Coupling station, rear left side of luggage compartment lid**

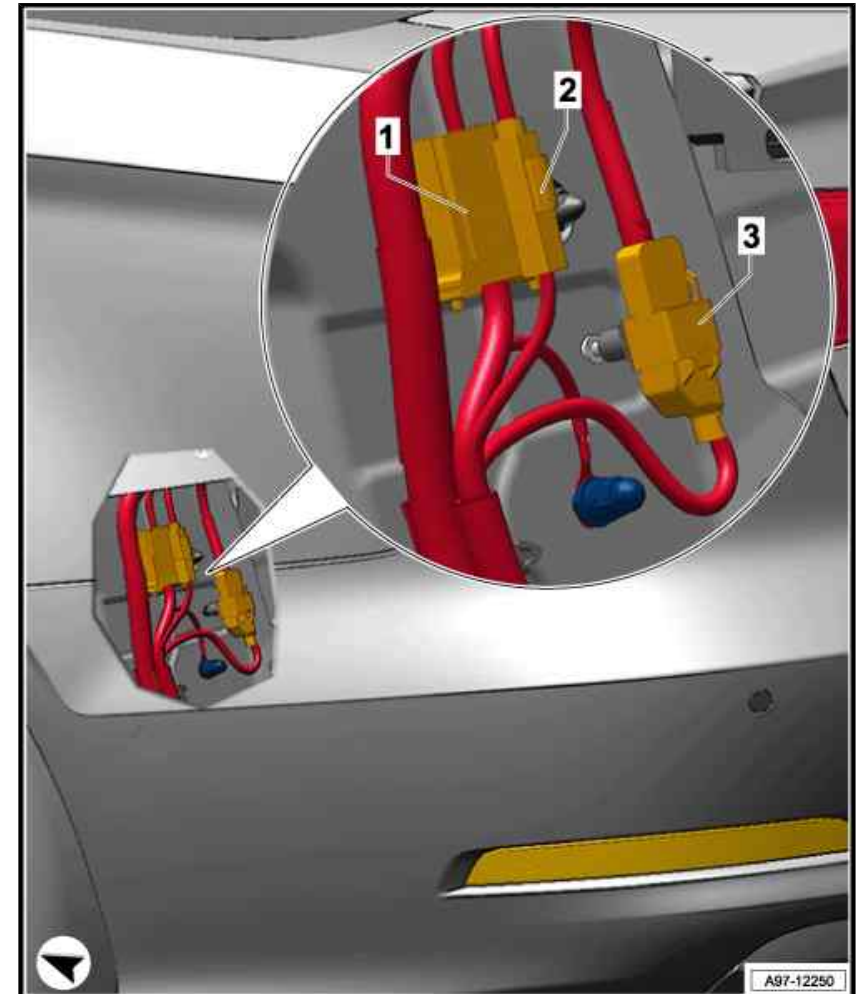
Fitting location:

Behind left side trim in luggage compartment.

1 - 12-pin connector -T12j- , black

2 - 2-pin connector -T2fq-

3 - 12-pin connector -T12i- , black

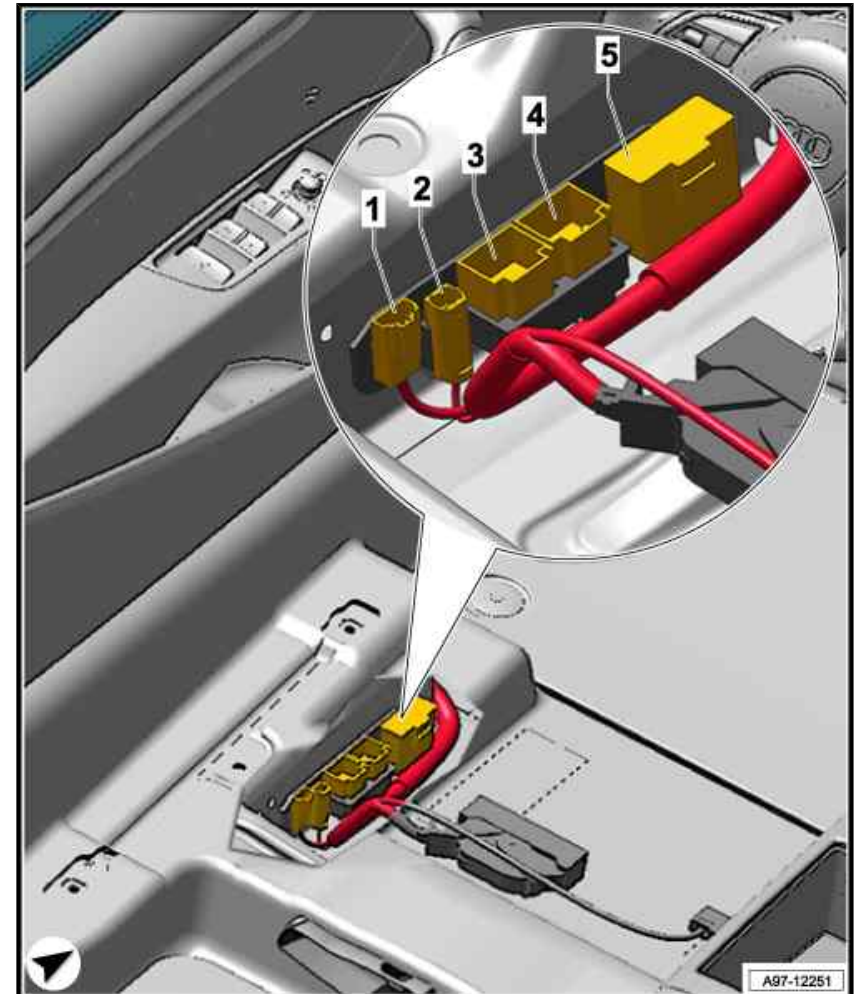


**1.24 Seat wiring coupling station, left**

Fitting location:

Under the seat.

- 1 - 5-pin connector -T5- , black
- 2 - 3-pin connector -T3g- , yellow
- 3 - 6-pin connector -T6i- , green
- 4 - 10-pin connector -T10d- , red
- 5 - 10-pin connector -T10q- , black



**1.25 Coupling station, electric steering**

Fitting location:

Under the battery

A - 10-pin connector -T10b- , black

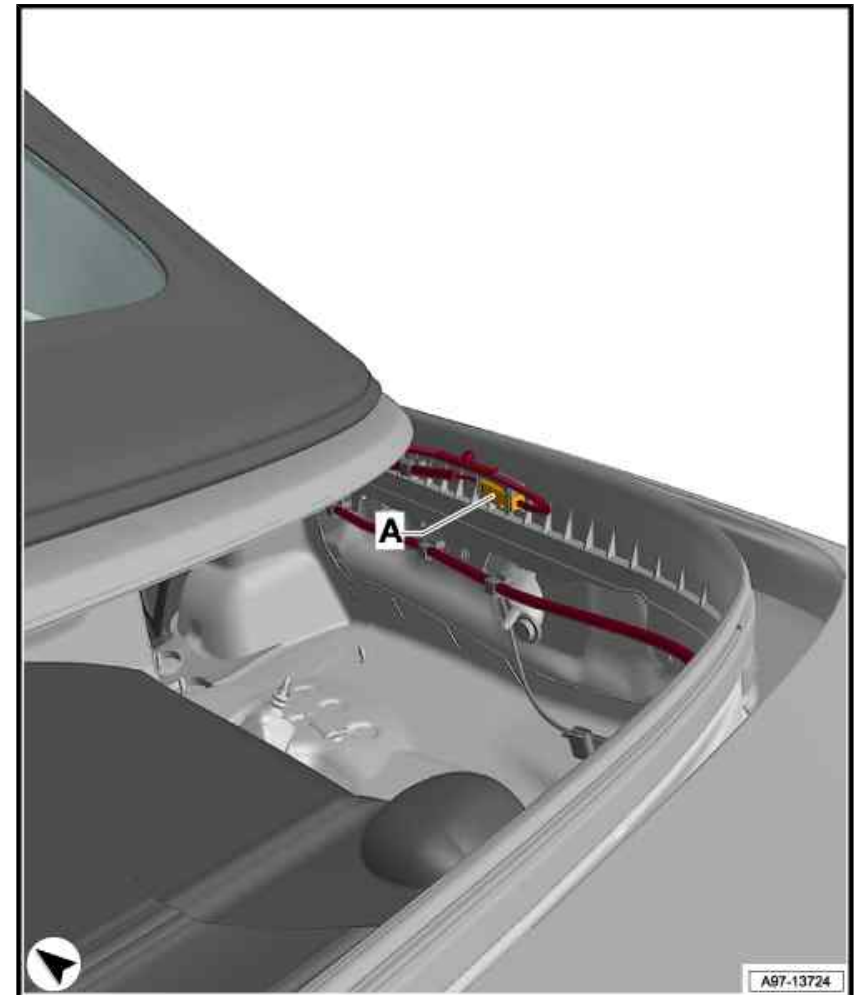


**1.26 Coupling station on right of convertible roof box lid**

Fitting location:

In convertible top tray.

A - 2-pin connector -T2fs- , black



**1.27 Coupling station for engine pre-wiring, with hybrid drive**

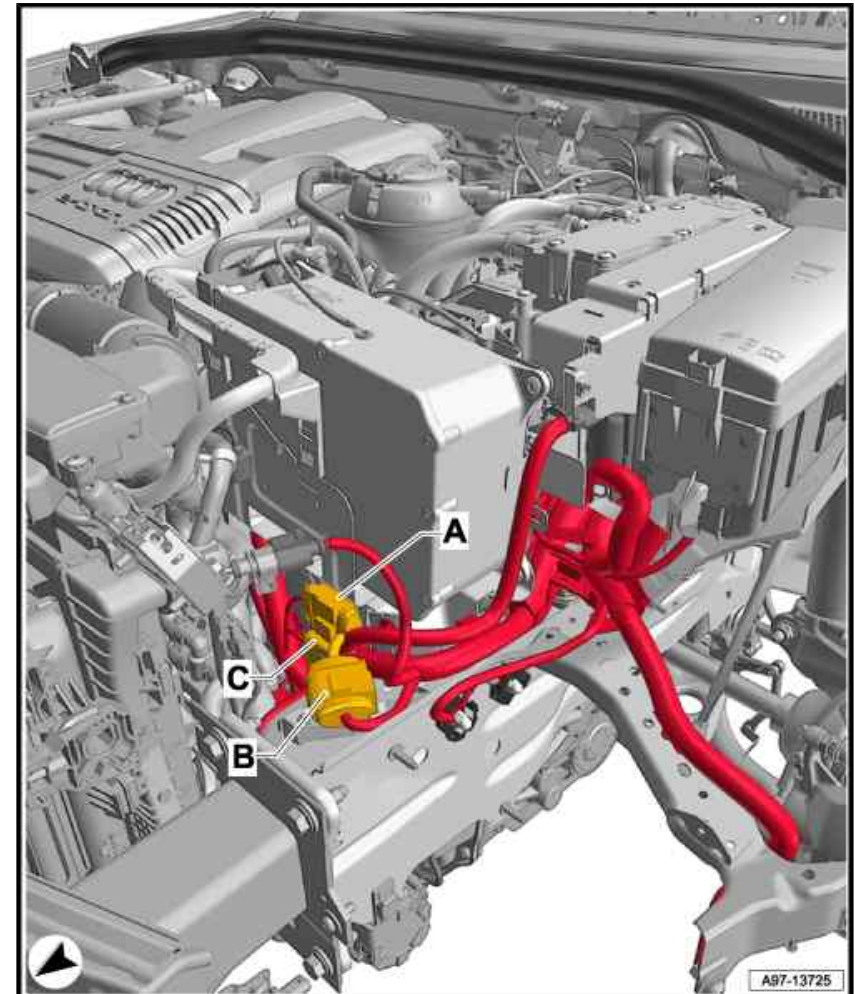
Fitting location:

in engine compartment, front left.

A - 14-pin connector -T14d- , black

B - 14-pin connector -T14- , grey

C - 2-pin connector -T2gb- , black

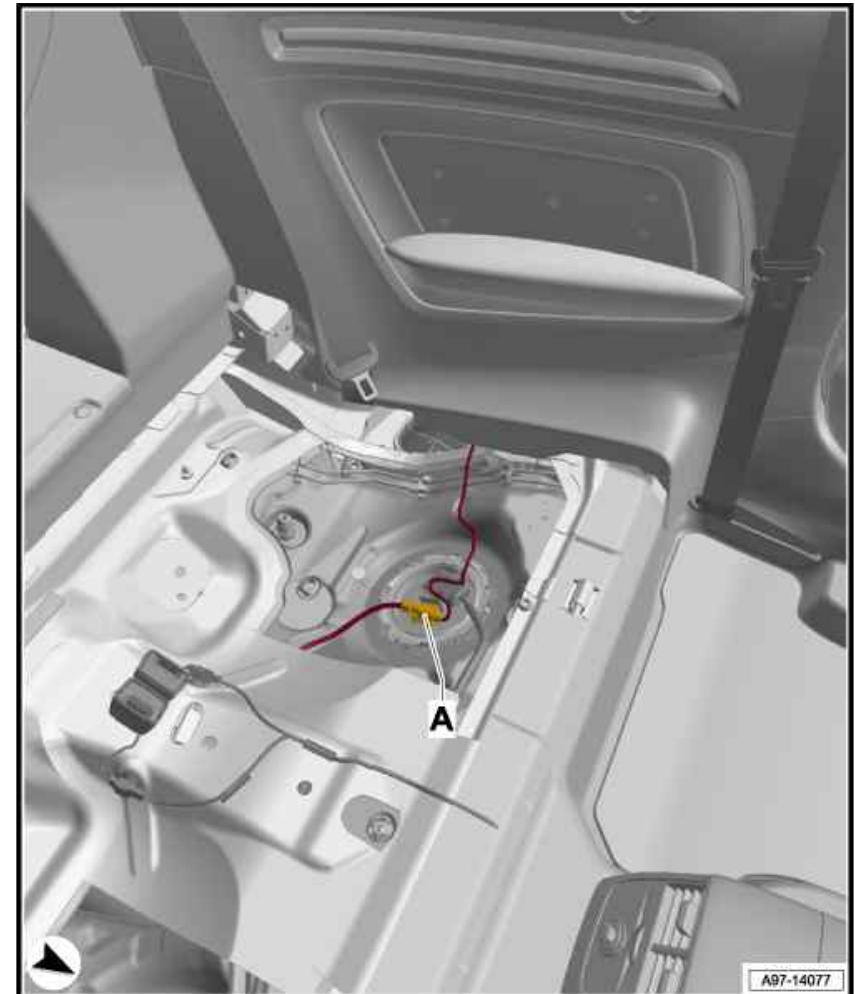


**1.28 Coupling station all-wheel drive**

Fitting location:

Under rear seat bench.

A - 6-pin connector -T6c- , black



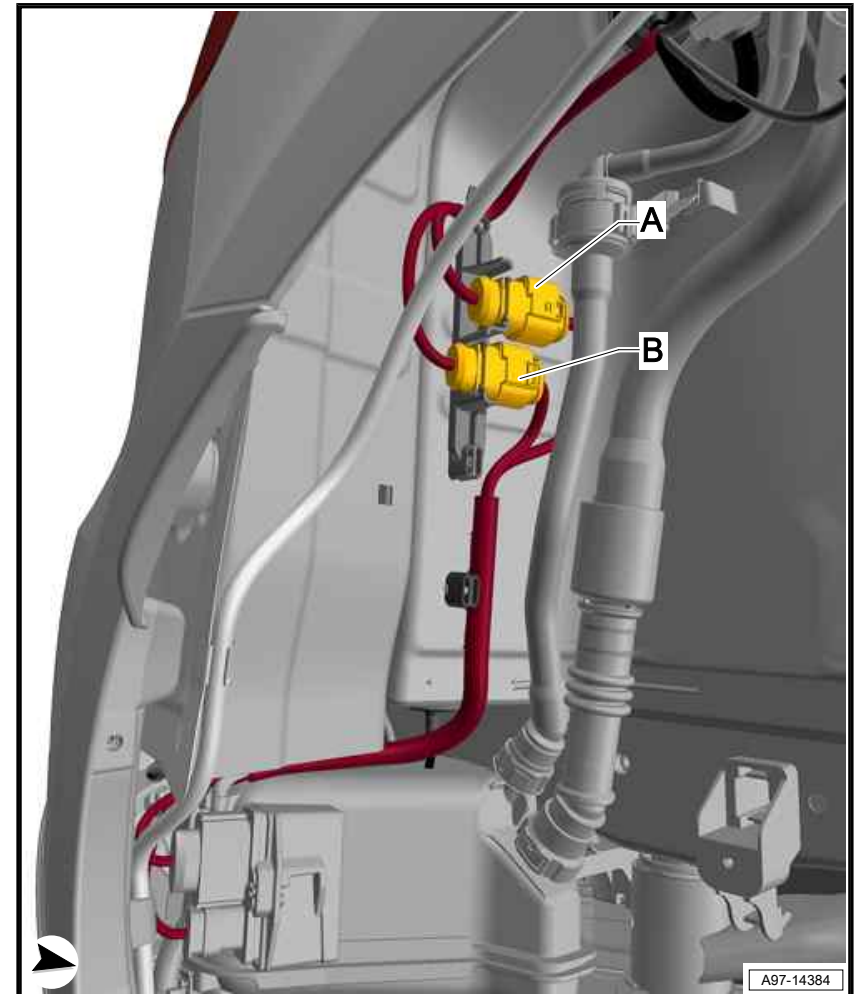
**1.29 Coupling station, reducing agent metering system, rear right, up to June 2018**

Fitting location:

In rear right wheel housing.

A - 10-pin connector -T10ab- , black

B - 6-pin connector -T6av- , black



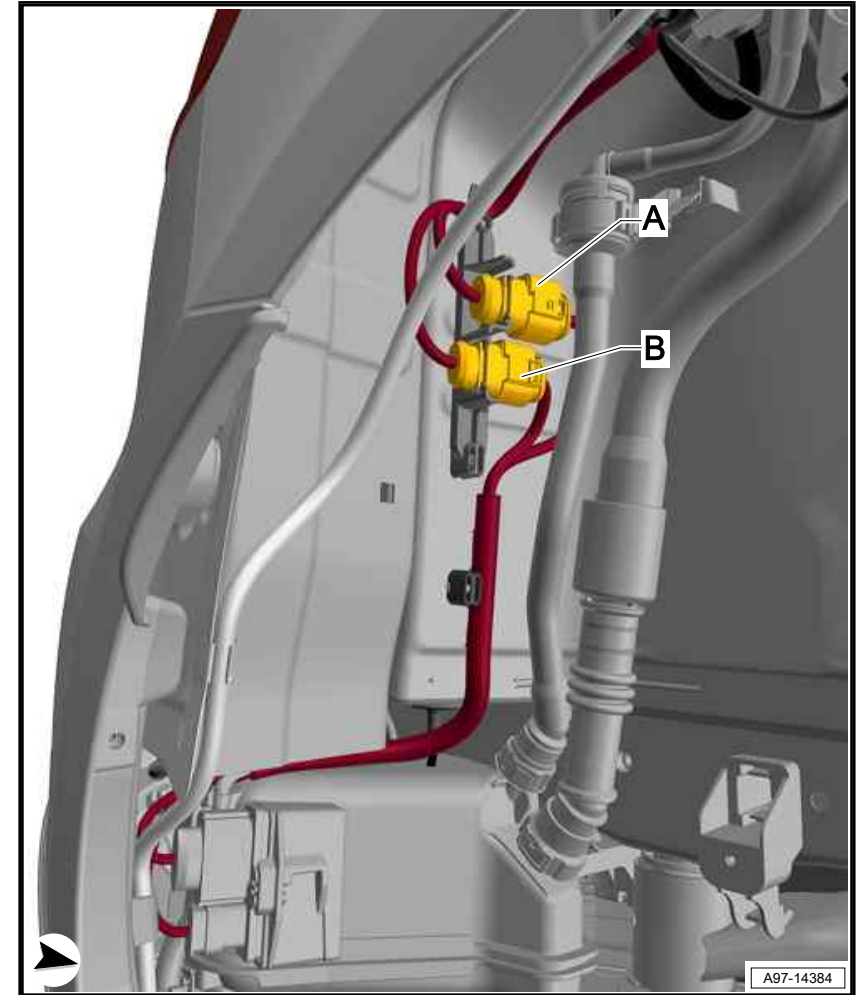
**1.30 Coupling station, reducing agent metering system, rear right, for rear axle standard (0N1) or rear axle with all-wheel drive (1X1), from July 2018**

Fitting location:

In rear right wheel housing.

A - 10-pin connector -T10ab- , black

B - 6-pin connector -T6av- , black



1.31 Coupling station, reducing agent metering system, rear left, for 4-guide axle (0N4) and front-wheel drive (1X0), from July 2018

Fitting location:

Near wheel housing.

A - 10-pin connector -T10ab- , black

B - 6-pin connector -T6av- , black

